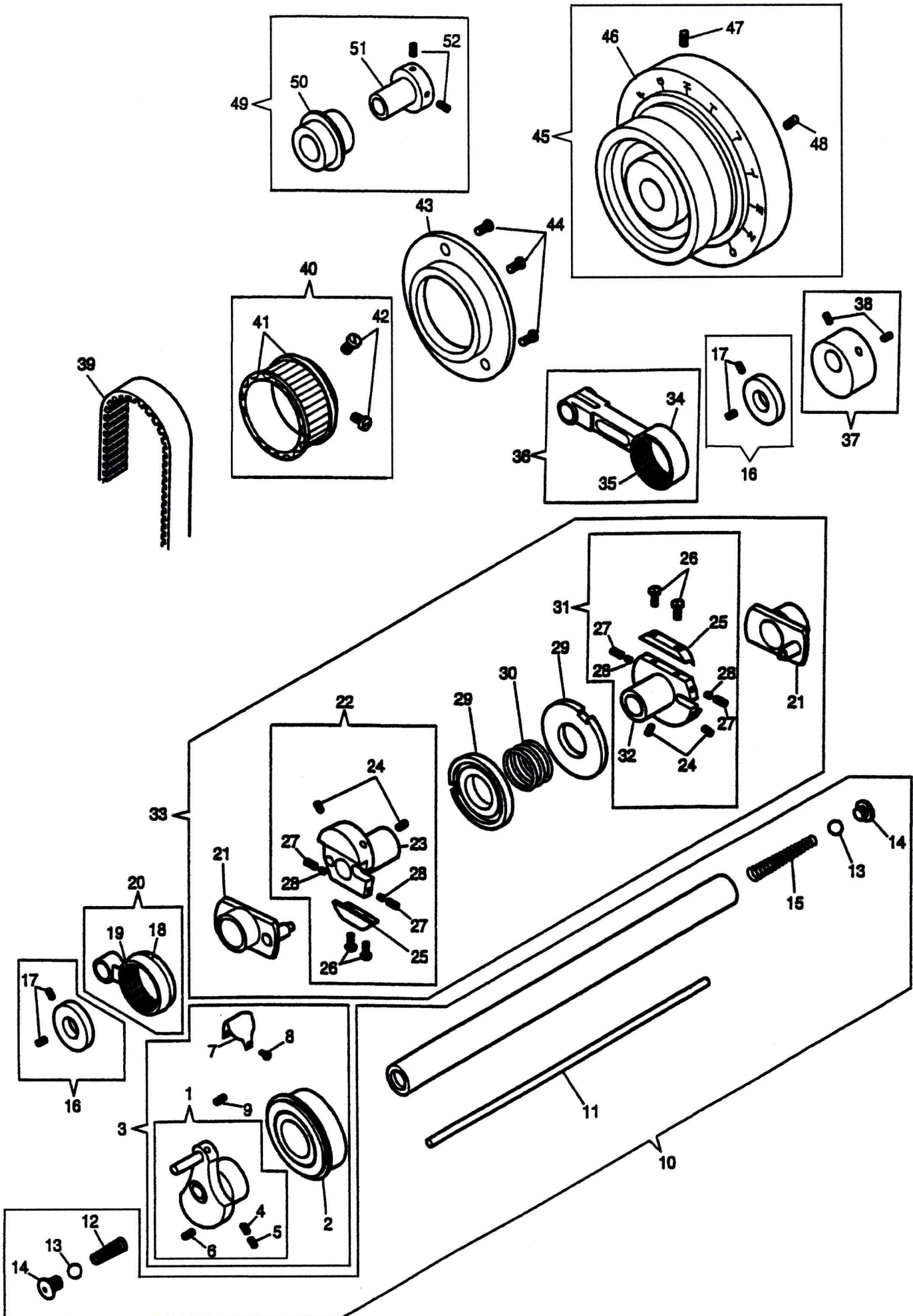


ILLUSTRATED PARTS LIST

MACHINE

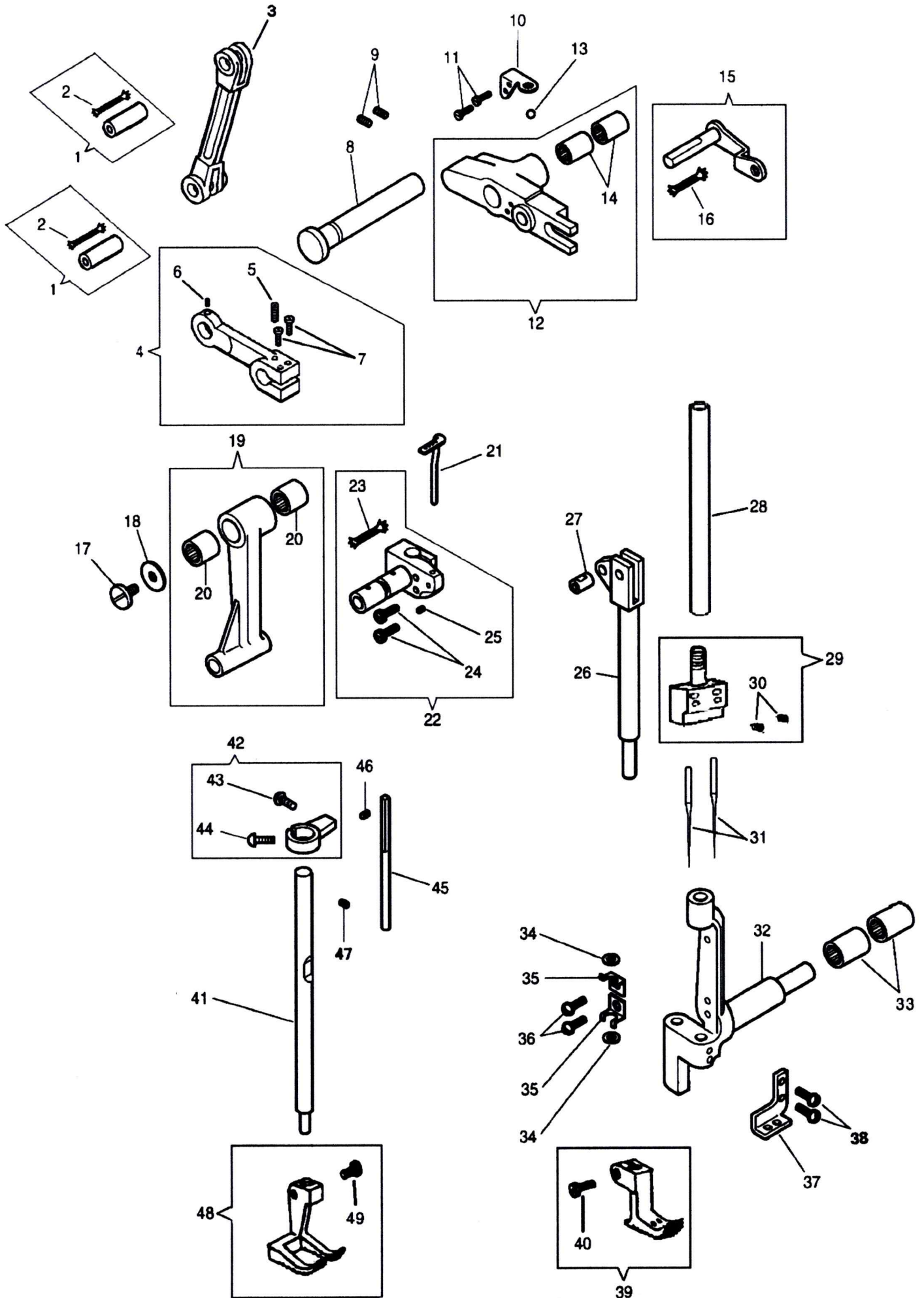
300U294A

UPPER SHAFT ASSEMBLY



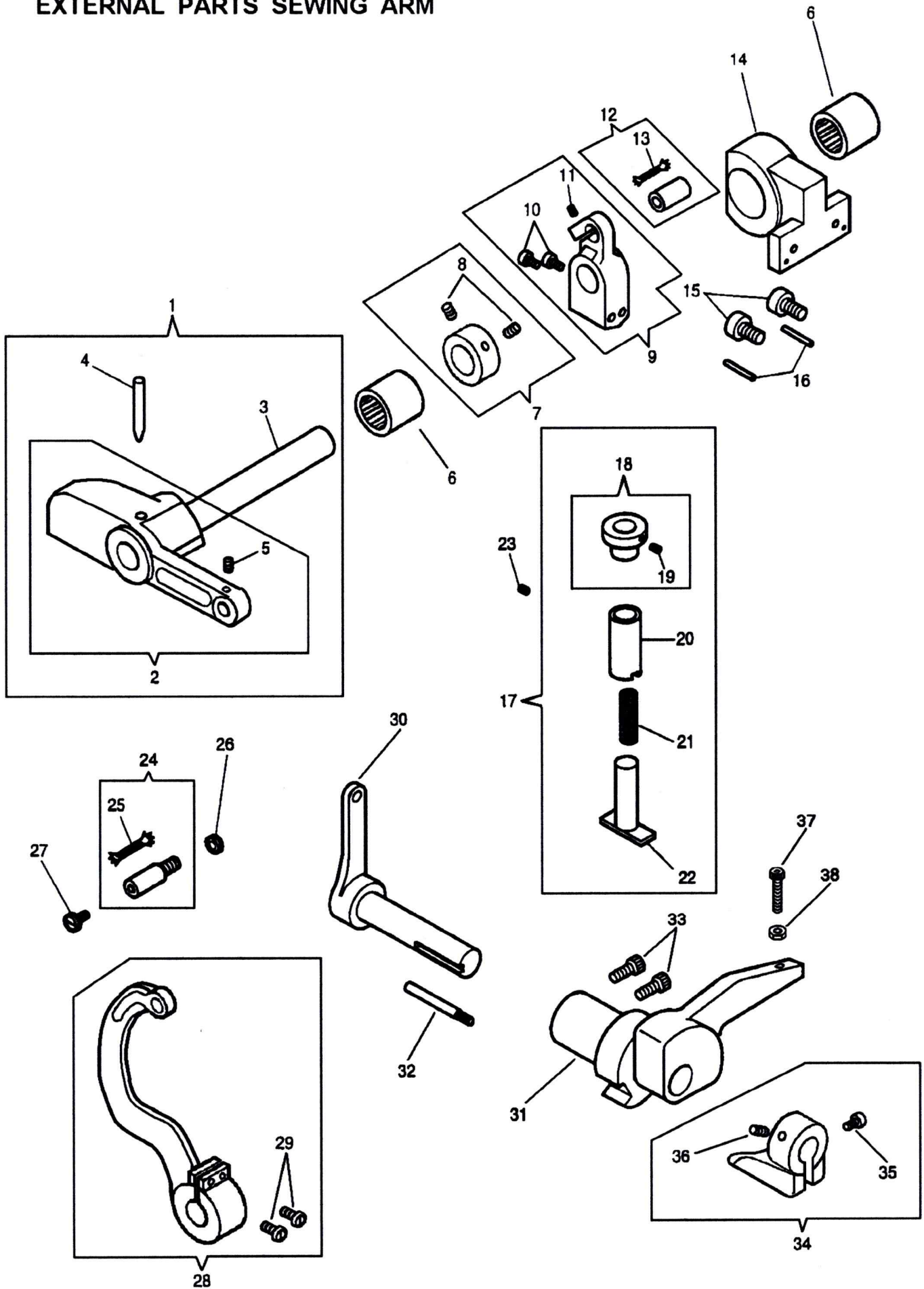
NO.	PART NO.	DESCRIPTION
1	K415138	NEEDLE BAR CRANK WITH K500272-833, K544358 AND K549024
2	K32848	ARM SHAFT BALL BEARING (FRONT)
3	K281239	NEEDLE BAR CRANK COMPLETE, NOS. K415138, K32848, K281258, KE0099 AND TWO K545205-451
4	K549024	NEEDLE BAR CRANK POSITION SCREW
5	K544358	NEEDLE BAR CRANK POSITION SCREW CHECK SCREW
6	K500272 -833	NEEDLE BAR CRANK SET SCREW
7	KE0099	NEEDLE BAR CRANK COVER
8	K545205 -451	NEEDLE BAR CRANK COVER SCREW (2)
9	K281258	NEEDLE BAR CRANK OIL PACKING (WICK)
10	K415128	ARM SHAFT WITH K268009, K268044, K268264, TWO EACH K268214 AND K414578
11	K268264	ARM SHAFT OIL CONTROL ROD (WOOD)
12	K268009	ARM SHAFT OIL STOP BALL SPRING (FRONT)
13	K268214	ARM SHAFT OIL STOP BALL 5/32 IN. DIA. (2)
14	K414578	ARM SHAFT OIL STOP BALL SCREW (2)
15	K268044	ARM SHAFT OIL STOP BALL SPRING (REAR)
16	K415308	NEEDLE BAR ROCK FRAME DRIVING ECCENTRIC SPACING COLLAR WITH TWO K414529
16	K415308	LIFTING ECCENTRIC SPACING COLLAR WITH TWO K414529
17	K414529	NEEDLE BAR ROCK FRAME DRIVING ECCENTRIC SPACING COLLAR SET SCREW (2)
17	K414529	LIFTING ECCENTRIC SPACING COLLAR SET SCREW (2)
18	K267608	NEEDLE BAR ROCK FRAME DRIVING CONNECTION
19	K271055	NEEDLE BAR ROCK FRAME DRIVING CONNECTION NEEDLE BEARING
20	K267609	NEEDLE BAR ROCK FRAME DRIVING CONNECTION K267608 WITH K271055
21	K267610	NEEDLE BAR ROCK FRAME DRIVING ECCENTRIC
21	K267610	LIFTING ECCENTRIC
22	K415078	NEEDLE BAR ROCK FRAME DRIVING ECCENTRIC FLANGE K415079 WITH K267623 AND TWO EACH K241763, K414555, K414557 AND K374098
23	K415079	NEEDLE BAR ROCK FRAME DRIVING ECCENTRIC FLANGE
24	K414555	NEEDLE BAR ROCK FRAME DRIVING ECCENTRIC FLANGE SET SCREW (2)
24	K414555	LIFTING ECCENTRIC FLANGE SET SCREW (2)
25	K267623	NEEDLE BAR ROCK FRAME DRIVING ECCENTRIC FRICTION PLATE
25	K267623	LIFTING ECCENTRIC FRICTION PLATE
26	K374098	NEEDLE BAR ROCK FRAME DRIVING ECCENTRIC FRICTION PLATE SCREW (2)
26	K374098	LIFTING ECCENTRIC FLANGE FRICTION PLATE SCREW (2)
27	K414557	NEEDLE BAR ROCK FRAME DRIVING ECCENTRIC FRICTION PLATE SCREW SET SCREW (2)
27	K414557	LIFTING ECCENTRIC FRICTION PLATE SCREW SET SCREW (2)
28	K241763	NEEDLE BAR ROCK FRAME DRIVING ECCENTRIC FRICTION PLATE SCREW SET SCREW PACKING (BRASS) (2)
28	K241763	LIFTING ECCENTRIC FRICTION PLATE SCREW SET SCREW PACKING (BRASS) (2)
29	K268065	NEEDLE BAR ROCK FRAME DRIVING ECCENTRIC ADJUSTING DISC
29	K268065	LIFTING ECCENTRIC ADJUSTING DISC
30	K267618	LIFTING ECCENTRIC ADJUSTING DISC SPRING
31	K415076	LIFTING ECCENTRIC FLANGE K415077 WITH K267623 AND TWO EACH K241763, K414555, K414557 AND K544286
32	K415077	LIFTING ECCENTRIC FLANGE
33	K415081	LIFTING ECCENTRIC AND NEEDLE BAR ROCK FRAME DRIVING ECCENTRIC COMPLETE, NOS. K267618, K415076, K415078 AND TWO EACH K267610, K268065
34	K268490	LIFTING ECCENTRIC CONNECTION
35	K271055	LIFTING ECCENTRIC CONNECTION NEEDLE BEARING
36	K268491	LIFTING ECCENTRIC CONNECTION WITH K271055
37	K281256	COUNTERBALANCE WITH TWO K544208-005
38	K544208 -005	COUNTERBALANCE SET SCREW (2)
39	K268270	ARM SHAFT CONNECTION BELT (REINFORCED NEOPRENE)
40	K281290	ARM SHAFT CONNECTION BELT PULLEY WITH TWO EACH K414546 AND K202253
41	K202253	ARM SHAFT CONNECTION BELT PULLEY SPRING FLANGE (2)
42	K414546	ARM SHAFT CONNECTION BELT PULLEY SET SCREW (2)
43	K268004 -451	ARM SHAFT BALL BEARING (BACK) HOUSING
44	K544336	ARM SHAFT BALL BEARING (BACK) HOUSING SCREW (3)
45	K281296 -467	MACHINE PULLEY WITH K414525 AND K414526
46	K281297 -467	MACHINE PULLEY
47	K414525	MACHINE PULLEY SET SCREW
48	K414526	MACHINE PULLEY POSITION SCREW
49	K281294	ARM SHAFT THRUST COLLAR WITH K272142 AND TWO K544209-005
50	K272142	ARM SHAFT BALL BEARING (BACK)
51	K281295 -001	ARM SHAFT THRUST COLLAR
52	K544209 -005	ARM SHAFT THRUST COLLAR SET SCREW (2)

FRONT ASSEMBLY SEWING ARM



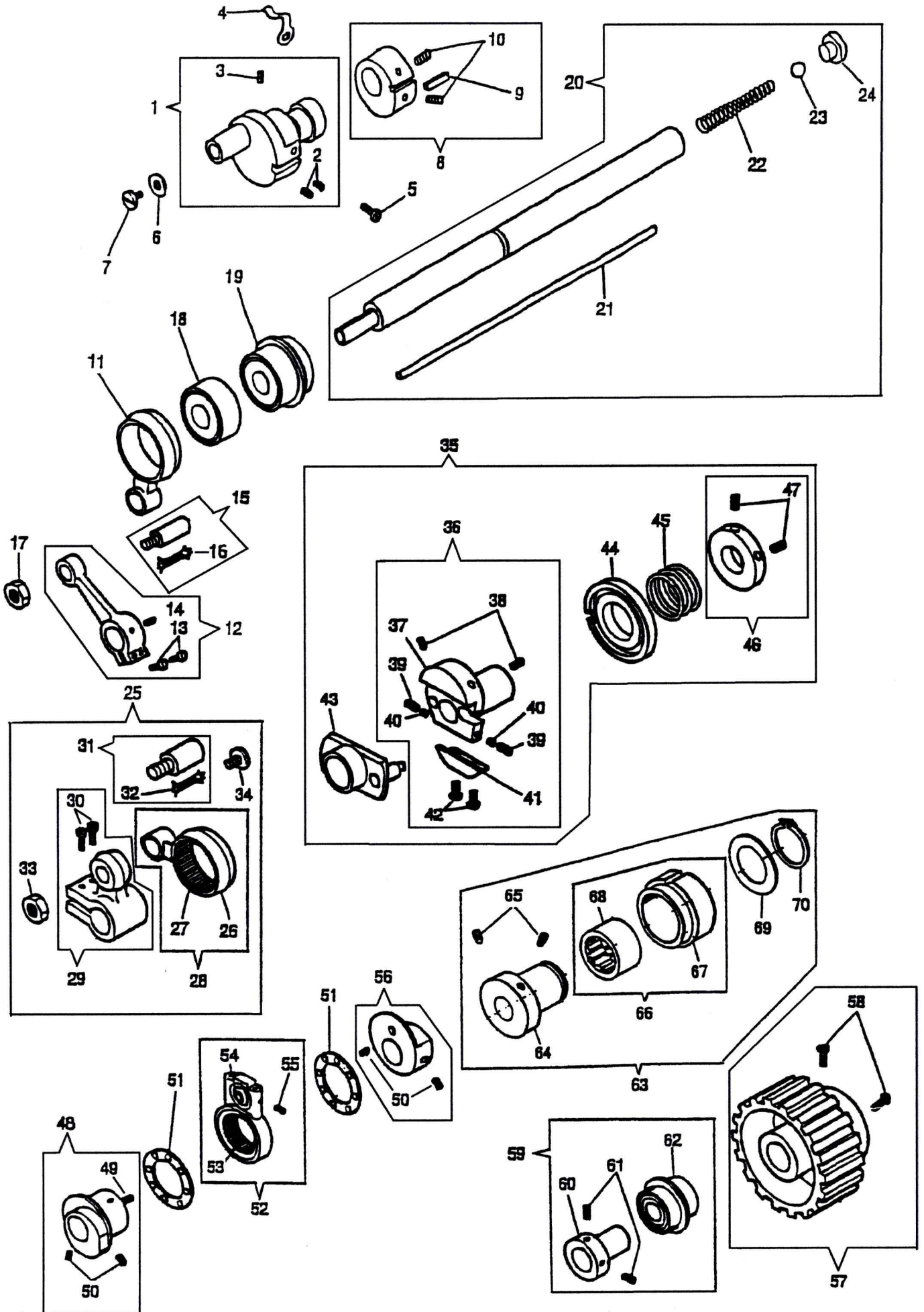
NO.	PART NO.	DESCRIPTION
1	K267617	LIFTING ECCENTRIC CONNECTION HINGE PIN WITH K268258
1	K267617	LIFTING LINK HINGE PIN WITH K268258
2	K268258	LIFTING ECCENTRIC CONNECTION HINGE PIN OIL PACKING (WICK)
2	K268258	LIFTING LINK HINGE PIN OIL PACKING (WICK)
3	K267627	LIFTING LINK
4	K415061	LIFTING CRANK WITH K141424, K141338 AND TWO K414511
5	K141338	LIFTING CRANK SET SCREW
6	K141424	LIFTING LINK HINGE PIN SET SCREW
7	K414511	LIFTING CRANK PINCH SCREW (2)
8	K267626	LIFTING LEVER HINGE STUD
9	K544322	LIFTING LEVER HINGE STUD SET SCREW (2)
10	K267718	PRESSER BAR SPRING ARM BALL RETAINER
11	K414548	PRESSER BAR SPRING ARM BALL RETAINER SCREW (2)
12	K415067	LIFTING LEVER WITH TWO KE0008
13	K276025	PRESSER BAR SPRING ARM BALL
14	KE0008	LIFTING LEVER BUSHING (2)
15	K267631	LIFTING PRESSER BAR LIFTING CRANK WITH K268258
16	K268258	LIFTING PRESSER BAR LIFTING CRANK OIL PACKING (WICK)
17	K414517	NEEDLE BAR CONNECTING LINK CAP WASHER SCREW
18	K268139	NEEDLE BAR CONNECTING LINK CAP WASHER
19	K268056	NEEDLE BAR CONNECTING LINK WITH TWO K270266
20	K270266	NEEDLE BAR CONNECTING LINK NEEDLE BEARING (2)
21	K268512	NEEDLE THREAD GUIDE (ON NEEDLE BAR CONNECTING STUD)
22	K415053	NEEDLE BAR CONNECTING STUD WITH K202330, K414545 AND TWO K414511
23	K202330	NEEDLE BAR CONNECTING STUD OIL PACKING (WICK)
24	K414511	NEEDLE BAR CONNECTING STUD PINCH SCREW (2)
25	K414545	NEEDLE THREAD GUIDE (ON NEEDLE BAR CONNECTING STUD) SET SCREW
26	K267657	VIBRATING PRESSER BAR
27	K267658	VIBRATING PRESSER BAR HINGE STUD
28	K415043	NEEDLE BAR
29	K268151 -016	NEEDLE HOLDER WITH TWO K545181-451 (1/4")
30	K545181 -451	NEEDLE SET SCREW (2)
31	KN4112-01 -23	NEEDLE (62X59) SIZE 23 (2)
32	K415045	NEEDLE BAR ROCK FRAME
33	K268029	NEEDLE BAR ROCK FRAME NEEDLE BEARING (2)
34	K268144	NEEDLE BAR OILING FELT (2)
35	K268278	NEEDLE BAR OILING FELT HOLDER (2)
36	K414522	NEEDLE BAR OILING FELT HOLDER SCREW (2)
37	K268219	NEEDLE BAR ROCK FRAME THREAD GUIDE
38	K414539	NEEDLE BAR ROCK FRAME THREAD GUIDE SCREW (2)
39	K267679 -016	VIBRATING PRESSER FOOT WITH K414638 (1/4")
40	K414638	VIBRATING PRESSER FOOT PINCH SCREW
41	K267628	LIFTING PRESSER BAR
42	K415059	LIFTING PRESSER BAR GUIDE BLOCK WITH K414512 AND K414516
43	K414516	LIFTING PRESSER BAR GUIDE BLOCK ADJUSTING SCREW
44	K414512	LIFTING PRESSER BAR GUIDE BLOCK PINCH SCREW
45	K267907	LIFTING PRESSER BAR GUIDE ROD
46	K544301	LIFTING PRESSER BAR GUIDE ROD SET SCREW (UPPER)
47	K544301	LIFTING PRESSER BAR GUIDE ROD SET SCREW (LOWER)
48	K267676 -016	LIFTING PRESSER FOOT WITH K414638 (1/4")
49	K414638	LIFTING PRESSER PINCH SCREW

EXTERNAL PARTS SEWING ARM



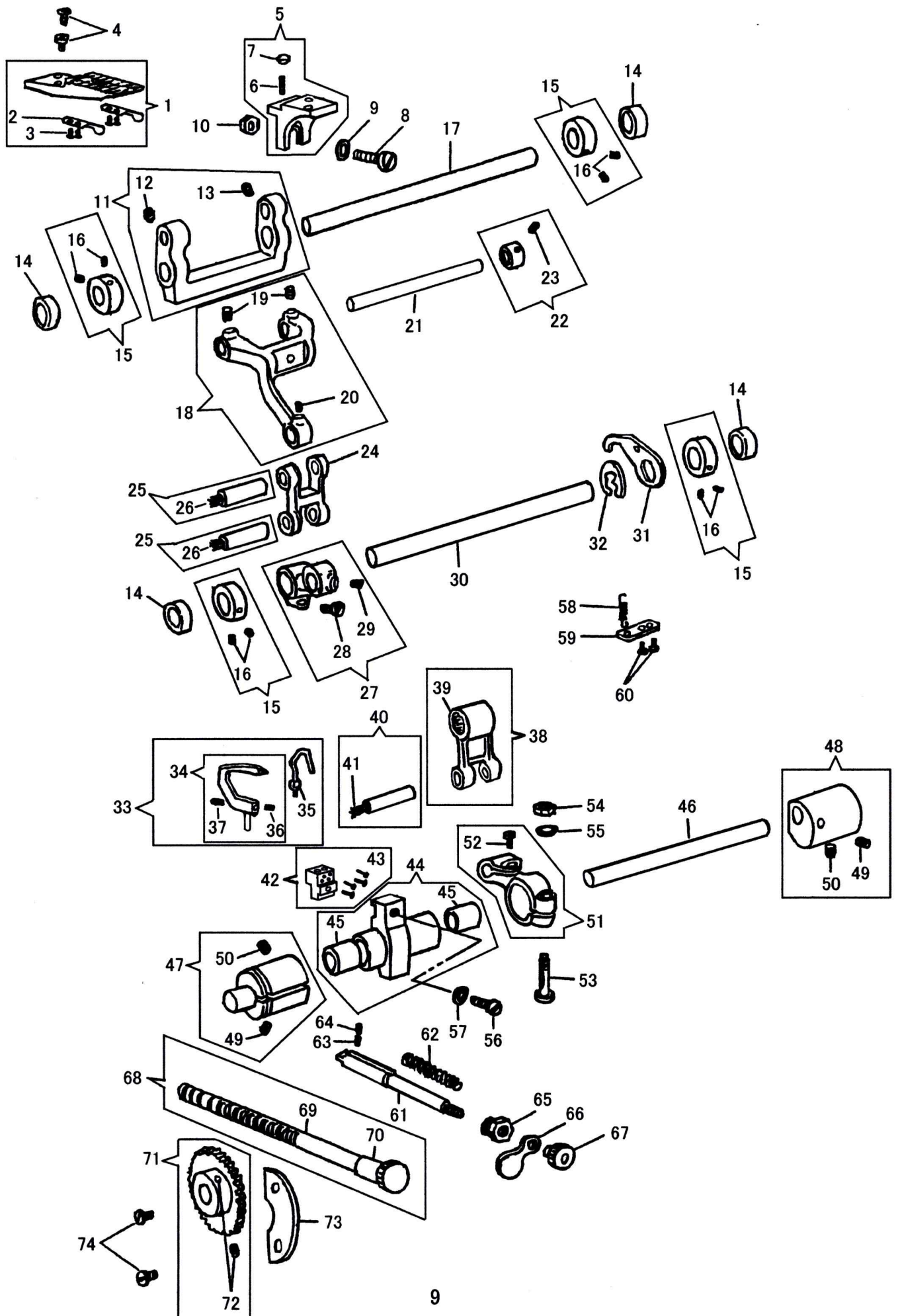
NO.	PART NO.	DESCRIPTION
1	K32789	LIFTING ROCK SHAFT K267633 WITH K32788 AND K548035
2	K32788	LIFTING ROCK SHAFT CRANK WITH K141424
3	K267633	LIFTING ROCK SHAFT
4	K548035	LIFTING ROCK SHAFT CRANK PIN
5	K141424	LIFTING LINK HINGE PIN SET SCREW
6	K267110	LIFTING ROCK SHAFT NEEDLE BEARING (2)
7	K415085	LIFTING ROCK SHAFT COLLAR WITH TWO K504020
8	K504020	LIFTING ROCK SHAFT COLLAR SET SCREW (2)
9	K415069	LIFTING ECCENTRIC CONNECTION CRANK WITH K414543 AND TWO K414509
10	K414509	LIFTING ECCENTRIC CONNECTION CRANK PINCH SCREW (2)
11	K414543	LIFTING ECCENTRIC CONNECTION HINGE PIN PINCH SCREW
12	K267617	LIFTING ECCENTRIC CONNECTION HINGE PIN WITH K268258
13	K268258	LIFTING ECCENTRIC CONNECTION HINGE PIN OIL PACKING (WICK)
14	K415071 -451	LIFTING ROCK SHAFT BRACKET
15	K414504	LIFTING ROCK SHAFT BRACKET SCREW (2)
16	K543841 -001	LIFTING ROCK SHAFT BRACKET POSITION PIN (2)
17	K415098	NEEDLE BAR ROCK FRAME REGULATING STUD COMPLETE, NOS. K214529, K415099, K268148 AND K268149
18	K415099	NEEDLE BAR ROCK FRAME REGULATING STUD CAP WITH K414528
19	K414528	NEEDLE BAR ROCK FRAME REGULATING STUD CAP SET SCREW
20	K268149	NEEDLE BAR ROCK FRAME REGULATING STUD SLEEVE
21	K214529	NEEDLE BAR ROCK FRAME REGULATING STUD SPRING
22	K268148	NEEDLE BAR ROCK FRAME REGULATING STUD
23	K414527	NEEDLE BAR ROCK FRAME REGULATING STUD SLEEVE SET SCREW
24	K415091	NEEDLE BAR ROCK FRAME DRIVING CONNECTION HINGE STUD WITH K268258
25	K268258	NEEDLE BAR ROCK FRAME DRIVING CONNECTION HINGE STUD OIL PACKING (WICK)
26	K541197	NEEDLE BAR ROCK FRAME DRIVING CONNECTION HINGE STUD NUT
27	K545297	NEEDLE BAR ROCK FRAME DRIVING CONNECTION CAP SCREW
28	K415094 -451	NEEDLE BAR ROCK FRAME DRIVING ARM WITH TWO K414790
29	K414790	NEEDLE BAR ROCK FRAME DRIVING ARM PINCH SCREW (2)
30	K267612	FOOT LIFTER CRANK
31	K281927	PRESSER BAR SPRING ARM FULCRUM
32	K414556	FOOT LIFTER CRANK STOP SCREW STUD
33	K350604	PRESSER BAR SPRING ARM FULCRUM SET SCREW (2)
34	K415122	FOOT LIFTER ARM WITH K414509 AND K545213
35	K414509	FOOT LIFTER ARM PINCH SCREW
36	K545213	FOOT LIFTER ARM SET SCREW
37	K414750 -004	PRESSER BAR SPRING ARM FULCRUM SCREW
38	K541166 -001	PRESSER BAR SPRING ARM FULCRUM SCREW NUT

LOWER SHAFT ASSEMBLY



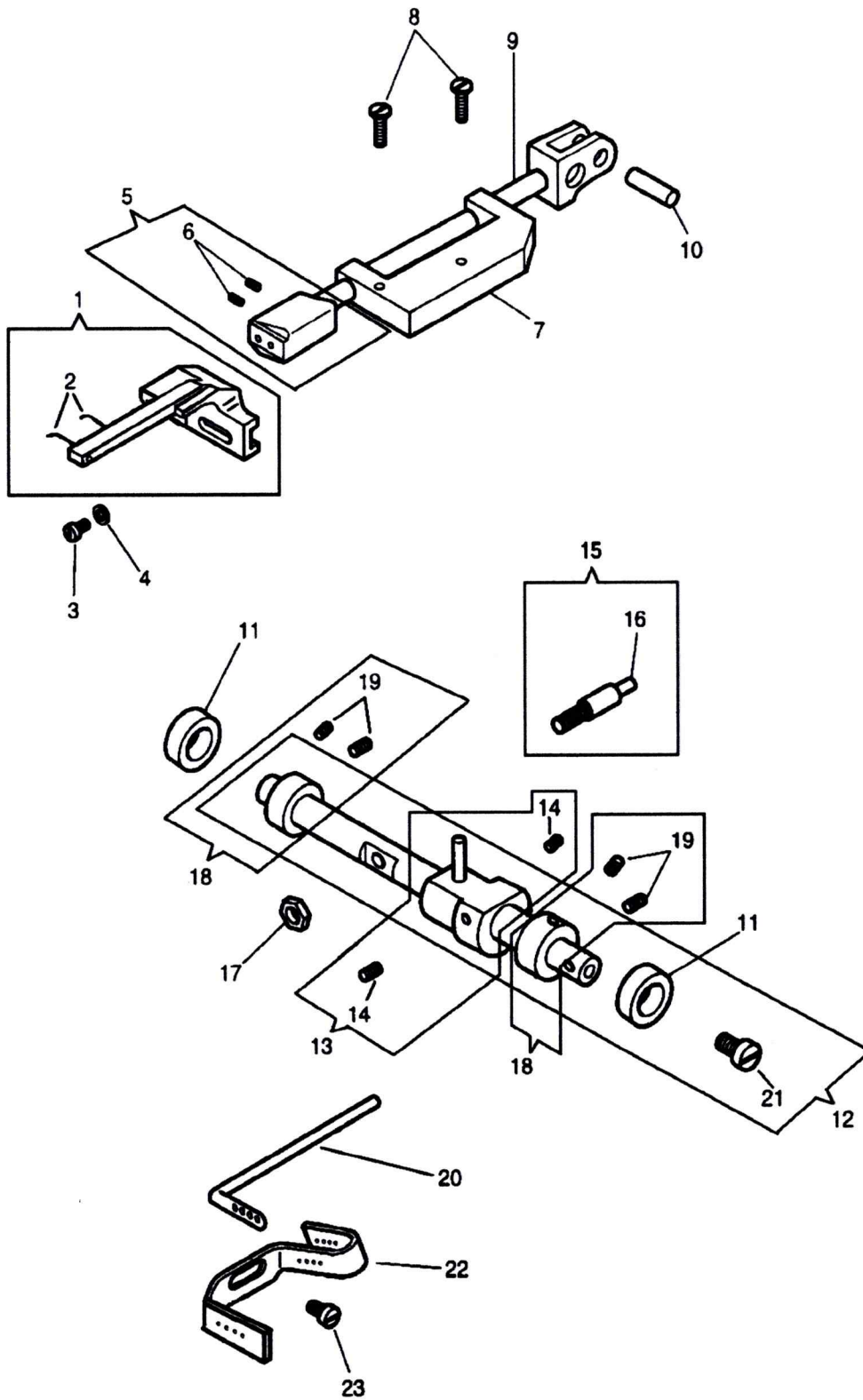
NO.	PART NO.	DESCRIPTION
1	K415176	LOOPER DRIVING CRANK WITH K500264-833 AND TWO K374099
2	K374099	LOOPER DRIVING CRANK POSITION SCREW (2)
3	K500264 -833	LOOPER DRIVING CRANK SET SCREW
4	K268102	LOOPER DRIVING CRANK OIL HOLE COVER
5	K414563	LOOPER DRIVING CRANK OIL HOLE COVER SCREW
6	K268139	LOOPER DRIVING CONNECTION WASHER
7	K544213 -001	LOOPER DRIVING CONNECTION WASHER SCREW
8	K415210	FEED LIFTING ECCENTRIC WITH K268077 AND TWO K544208-005
9	K268077	FEED LIFTING ECCENTRIC LUBRICATING PAD (WOOD)
10	K544208 -005	FEED LIFTING ECCENTRIC SET SCREW (2)
11	K268074	FEED LIFTING CONNECTION
12	K415206	FEED LIFTING ROCK SHAFT CRANK WITH K414549 AND TWO K414511
13	K414511	FEED LIFTING ROCK SHAFT CRANK PINCH SCREW (2)
14	K414549	FEED LIFTING ROCK SHAFT CRANK POSITION SCREW
15	K415091	FEED LIFTING CONNECTION HINGE STUD WITH K268258
16	K268258	FEED LIFTING CONNECTION HINGE STUD OIL PACKING (WICK)
17	K541197	FEED LIFTING CONNECTION HINGE STUD NUT
18	K281216	BED SHAFT BALL BEARING
19	K281224	BED SHAFT BALL BEARING
20	K281212	BED SHAFT WITH K268044, K268214, K268265 AND K414578
21	K268265	BED SHAFT OIL CONTROL ROD (WOOD)
22	K268044	BED SHAFT OIL STOP BALL SPRING
23	K268214	BED SHAFT OIL STOP BALL 5/32 IN. DIA.
24	K414578	BED SHAFT OIL STOP BALL SCREW
25	K415212	FEED DRIVING ROCK SHAFT CRANK K415213 WITH K268061, K415091, K541197 AND K545297
26	K267608	FEED DRIVING CONNECTION
27	K271055	FEED DRIVING CONNECTION NEEDLE BEARING
28	K267609	FEED DRIVING CONNECTION K267608 WITH K271055
29	K415213	FEED DRIVING ROCK SHAFT CRANK WITH TWO K414511
30	K414511	FEED DRIVING ROCK SHAFT CRANK PINCH SCREW (2)
31	K415091	FEED DRIVING CONNECTION HINGE STUD WITH K268258
32	K268258	FEED DRIVING CONNECTION HINGE STUD OIL PACKING (WICK)
33	K541197	FEED DRIVING CONNECTION HINGE STUD NUT
34	K545297	FEED DRIVING CONNECTION CAP SCREW
35	K415082	FEED DRIVING ECCENTRIC COMPLETE, NOS. K267610, K268065, K268066, K412011 AND K415073
36	K415073	FEED DRIVING ECCENTRIC FLANGE K415074 WITH K267623 AND TWO EACH K241763, K414555, K414557 AND K374098
37	K415074	FEED DRIVING ECCENTRIC FLANGE
38	K414555	FEED DRIVING ECCENTRIC FLANGE SET SCREW (2)
39	K414557	FEED DRIVING ECCENTRIC FRICTION PLATE SCREW SET SCREW (2)
40	K241763	FEED DRIVING ECCENTRIC FRICTION PLATE SCREW SET SCREW PACKING (BRASS) (2)
41	K267623	FEED DRIVING ECCENTRIC FRICTION PLATE
42	K374098	FEED DRIVING ECCENTRIC FRICTION PLATE SCREW (2)
43	K267610	FEED DRIVING ECCENTRIC
44	K268065	FEED DRIVING ECCENTRIC ADJUSTING DISC
45	K268066	FEED DRIVING ECCENTRIC ADJUSTING DISC SPRING
46	K412011	FEED DRIVING ECCENTRIC ADJUSTING DISC SPRING COLLAR WITH TWO K544325
47	K544325	FEED DRIVING ECCENTRIC ADJUSTING DISC SPRING COLLAR SET SCREW (2)
48	K415187	SPREADER DRIVING ECCENTRIC WITH K543808-002 AND TWO K414528
49	K543808 -002	SPREADER DRIVING ECCENTRIC PIN
50	K414528	SPREADER DRIVING ECCENTRIC SET SCREW (2)
50	K414528	SPREADER DRIVING ECCENTRIC COUNTERBALANCE SET SCREW (2)
51	K268220	SPREADER DRIVING ECCENTRIC THRUST WASHER (2)
52	K281246	SPREADER DRIVING CONNECTION WITH K415368, K281248 AND K544201-001
53	K415368	SPREADER DRIVING CONNECTION NEEDLE BEARING
54	K281248	SPREADER DRIVING ROCK SHAFT SCREW STUD BALL ROLLER
55	K544203 -001	SPREADER DRIVING ROCK SHAFT SCREW STUD BALL ROLLER SET SCREW
56	K415190	SPREADER DRIVING ECCENTRIC COUNTERBALANCE WITH TWO K414528
57	K281292	BED SHAFT CONNECTION BELT PULLEY WITH TWO K414546
58	K414546	BED SHAFT CONNECTION BELT PULLEY SET SCREW (2)
59	K281294	BED SHAFT THRUST COLLAR WITH K272142 AND TWO K544209-005
60	K281295 -001	BED SHAFT THRUST COLLAR
61	K544209 -005	BED SHAFT THRUST COLLAR SET SCREW (2)
62	K272142	BED SHAFT THRUST COLLAR BALL BEARING
63	K22988	ANTI-REVERSING ROLLER CLUTCH COMPLETE, NOS. K22983, K22985, K22986 AND K543802-002
64	K22983	ANTI-REVERSING ROLLER CLUTCH BUSHING WITH TWO K500272-833
65	K500272 -833	ANTI-REVERSING ROLLER CLUTCH BUSHING SET SCREW (2)
66	K22985	ANTI-REVERSING ROLLER CLUTCH HOUSING K22984 WITH K22982
67	K22984	ANTI-REVERSING ROLLER CLUTCH HOUSING
68	K22982	ANTI-REVERSING ROLLER CLUTCH
69	K22986	ANTI-REVERSING ROLLER CLUTCH RETAINING WASHER
70	K543802 -020	ANTI-REVERSING ROLLER CLUTCH RETAINING WASHER RETAINER

FRONT ASSEMBLY SEWING BED



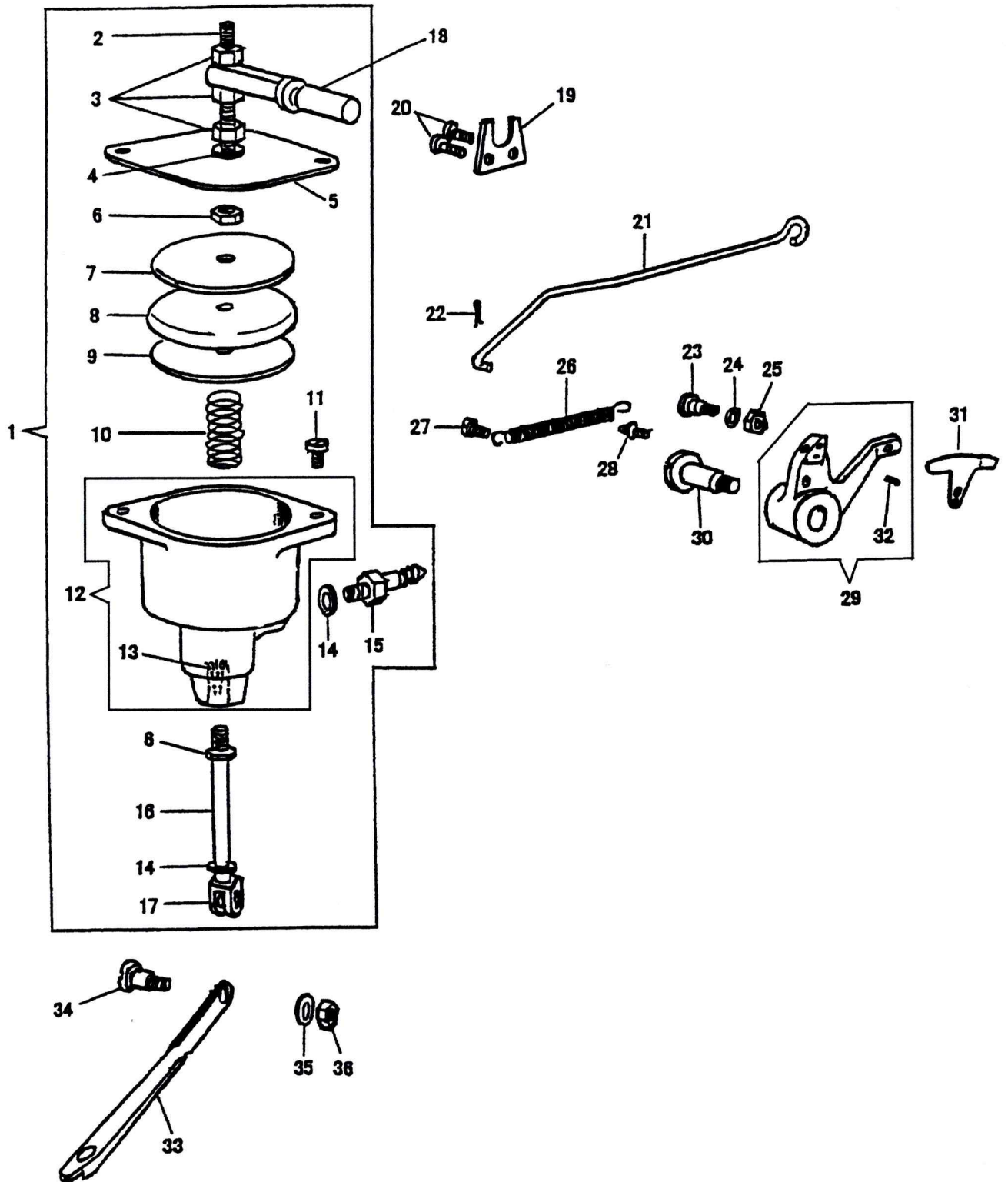
NO.	PART NO.	DESCRIPTION
1	K267802 -016	FEED DOG WITH TWO K268318 AND FOUR K229 (1/4")
2	K268318	LOOP DEFLECTOR (2)
3	K229	LOOP DEFLECTOR SCREW (4)
4	K414518	FEED DOG SCREW (2)
5	K415208	FEED DOG SHANK WITH K414559 AND K541200
6	K414559	FEED DOG SHANK ADJUSTING SCREW
7	K541200	FEED DOG SHANK ADJUSTING SCREW LOCK NUT
8	K414520	FEED DOG SHANK SCREW
9	K543804 -004	FEED DOG SHANK SCREW WASHER
10	K541166 -003	FEED DOG SHANK SCREW LOCK NUT
11	K415200	FEED DRIVING ROCK FRAME WITH K500264-833 AND K549024
12	K549024	FEED DRIVING ROCK FRAME POSITION SCREW
13	K500264 -833	FEED DRIVING ROCK FRAME SET SCREW
14	K415297	FEED DRIVING ROCK SHAFT BUSHING (2)
14	K415297	FEED LIFTING ROCK SHAFT BUSHING (2)
15	K415065	FEED DRIVING ROCK SHAFT COLLAR WITH TWO K504020
15	K415065	FEED LIFTING ROCK SHAFT COLLAR WITH TWO K504020
16	K504020	FEED DRIVING ROCK SHAFT COLLAR SET SCREW (4)
16	K504020	FEED LIFTING ROCK SHAFT COLLAR SET SCREW (4)
17	K268070	FEED DRIVING ROCK SHAFT
18	K415198	FEED BAR WITH K545213 AND TWO K544204-001
19	K544204 -001	FEED BAR SET SCREW (2)
20	K545213	FEED LIFTING LINK HINGE PIN SET SCREW
21	K268035	FEED BAR HINGE PIN
22	K415202	FEED BAR HINGE PIN COLLAR WITH K414529
23	K414529	FEED BAR HINGE PIN COLLAR SET SCREW
24	K268078	FEED LIFTING LINK
25	K268079	FEED LIFTING LINK HINGE PIN WITH K268258 (2)
26	K268258	FEED LIFTING LINK HINGE PIN OIL PACKING (WICK) (2)
27	K415204	FEED LIFTING CRANK WITH K414501 AND K545213
28	K414501	FEED LIFTING CRANK PINCH SCREW
29	K545213	FEED LIFTING LINK HINGE PIN SET SCREW
30	K267933	FEED LIFTING ROCK SHAFT
31	K268131	LOOPER THROW-OUT SAFETY LATCH
32	K543801 -012	LOOPER THROW-OUT SAFETY LATCH RETAINING RING
33	K281208	LOOPER AND NEEDLE GUARD COMPLETE, NOS. K281207 AND K268380 (2)
34	K268380	LOOPER WITH K141478 AND K141494 (2)
35	K281207	NEEDLE GUARD (2)
36	K141494	NEEDLE GUARD SET SCREW (FRONT) (2)
37	K141478	NEEDLE GUARD SET SCREW (BACK) (2)
38	K281223	LOOPER DRIVING CONNECTION WITH K415500
39	K415500	LOOPER DRIVING CONNECTION BUSHING
40	K268208	LOOPER CARRIER CRANK HINGE PIN WITH K268258
41	K268258	LOOPER CARRIER CRANK HINGE PIN OIL PACKING (WICK)
42	K281268 -016	LOOPER HOLDER WITH FOUR K414558 (1/4")
43	K414558	LOOPER SET SCREW (4)
44	K281265	LOOPER CARRIER WITH TWO K415500
45	K415500	LOOPER CARRIER BUSHING (2)
46	K268093	LOOPER CARRIER SHAFT
47	K415168	LOOPER CARRIER SHAFT BUSHING (LEFT) WITH K500264-833 AND K549024
48	K415170	LOOPER CARRIER SHAFT BUSHING (RIGHT) WITH K500264-833 AND K549024
49	K549024	LOOPER CARRIER SHAFT BUSHING POSITION SCREW (2)
50	K500264 -833	LOOPER CARRIER SHAFT BUSHING SET SCREW (2)
51	K415174	LOOPER CARRIER CRANK WITH K414516
52	K414516	LOOPER CARRIER CRANK HINGE PIN PINCH SCREW
53	K415292	LOOPER CARRIER CRANK CLAMPING STUD
54	K541198	LOOPER CARRIER CRANK CLAMPING STUD NUT
55	K548459	LOOPER CARRIER CRANK CLAMPING STUD WASHER
56	K414750 -002	LOOPER HOLDER SCREW
57	K543804 -004	LOOPER HOLDER SCREW WASHER
58	K268132	LOOPER THROW-OUT SAFETY LATCH SPRING
59	K268133	LOOPER THROW-OUT SAFETY LATCH SPRING BRACKET
60	K545205 -451	LOOPER THROW-OUT SAFETY LATCH SPRING BRACKET SCREW (2)
61	K415182	LOOPER THROW-OUT GEAR LOCKING PLUNGER
62	K250265	LOOPER THROW-OUT GEAR LOCKING PLUNGER SPRING
63	K414564	LOOPER THROW-OUT GEAR LOCKING PLUNGER STOP SCREW
64	K414528	LOOPER THROW-OUT GEAR LOCKING PLUNGER STOP SCREW SET SCREW
65	K201477	LOOPER THROW-OUT GEAR LOCKING PLUNGER SCREW BUSHING
66	K268313	LOOPER THROW-OUT GEAR LOCKING PLUNGER HANDLE
67	K541453	LOOPER THROW-OUT GEAR LOCKING PLUNGER THUMB NUT
68	K415178	LOOPER THROW-OUT RACK ROD K415179 WITH K541451
69	K415179	LOOPER THROW-OUT RACK ROD
70	K541451	LOOPER THROW-OUT RACK ROD THUMB NUT
71	K415180	LOOPER THROW-OUT GEAR WITH TWO K500264-833
72	K500264 -833	LOOPER THROW-OUT GEAR SET SCREW (2)
73	K268096	LOOPER CARRIER SHAFT BUSHING (LEFT) POSITION PLATE
74	K414515	LOOPER CARRIER SHAFT BUSHING (LEFT) POSITION PLATE SCREW (2)

CROSS SHAFT IN SEWING BED



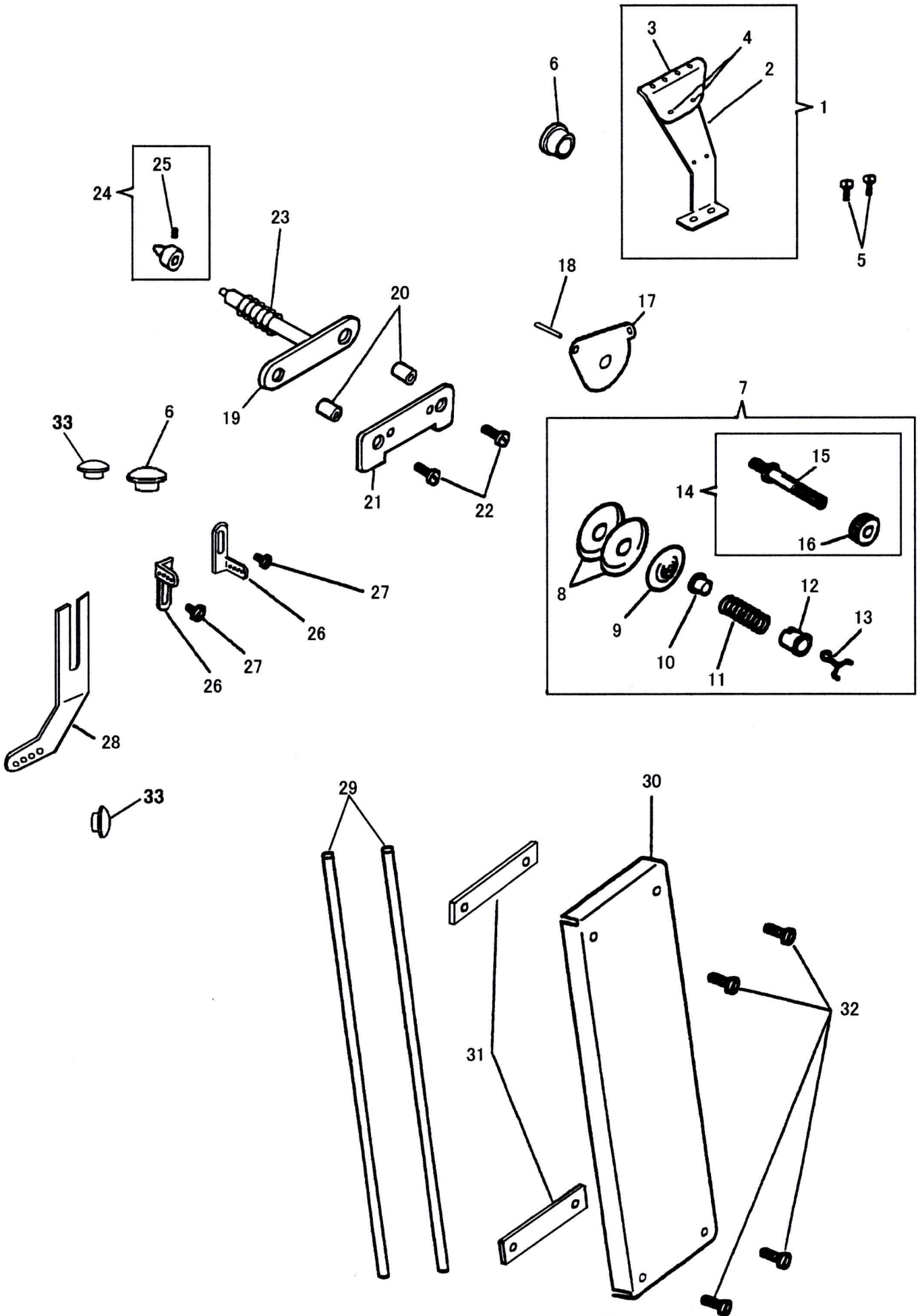
NO.	PART NO.	DESCRIPTION
1	K268374 -016	SPREADER WITH TWO K268162 (1/4")
2	K268162	SPREADER POINT (2)
3	K414552	SPREADER SCREW
4	K547670	SPREADER SCREW WASHER
5	K415196	SPREADER HOLDER WITH TWO K414529
6	K414529	SPREADER HOLDER SET SCREW (2)
7	K268184	SPREADER BAR BRACKET
8	K414524	SPREADER BAR BRACKET SCREW (2)
9	K268499	SPREADER BAR
10	K268190	SPREADER DRIVING PIN
11	K415297	SPREADER DRIVING ROCK SHAFT BUSHING (2)
12	K415389	SPREADER DRIVING ROCK SHAFT WITH K504019
13	K415194	SPREADER DRIVING CRANK WITH TWO K544204-001
14	K544204 -001	SPREADER DRIVING CRANK SET SCREW (2)
15	K281249	SPREADER DRIVING ROCK SHAFT SCREW STUD WITH K32825
16	K32825	SPREADER DRIVING ROCK SHAFT SCREW STUD OIL PACKING (WICK)
17	K545424	SPREADER DRIVING ROCK SHAFT SCREW STUD NUT
18	K415065	SPREADER DRIVING ROCK SHAFT COLLAR WITH TWO K504020 (2)
19	K504020	SPREADER DRIVING ROCK SHAFT COLLAR SET SCREW (4)
20	K268052	LOOPER THREAD TAKE-UP ROD
21	K504019	LOOPER THREAD TAKE-UP ROD SET SCREW
22	K268051	LOOPER THREAD GUIDE (ON FRONT)
23	K414510	LOOPER THREAD GUIDE SCREW

EXTERNAL PARTS SEWING ARM



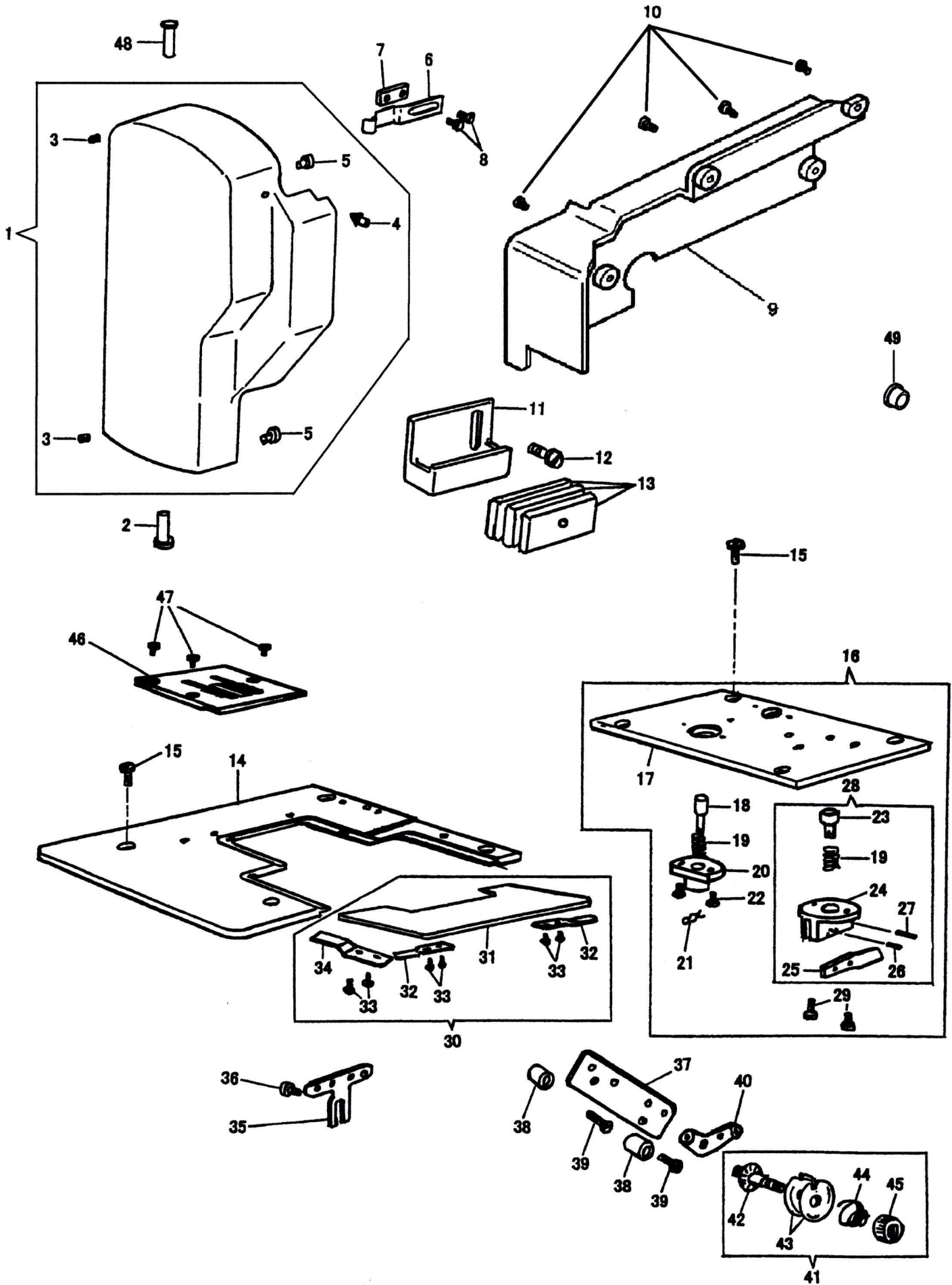
NO.	PART NO.	DESCRIPTION
1	K415116 -451	K267712, K267713, K267716, K415113, K350579, K994778, TWO EACH K545476, K545156, K267645 AND THREE K201746
2	K350579	PRESSER BAR PRESSURE CYLINDER SUPPORT STUD
3	K201746	PRESSER BAR PRESSURE CYLINDER SUPPORT STUD NUT (3)
4	K548459	PRESSER BAR PRESSURE CYLINDER SUPPORT STUD NUT LOCK WASHER
5	K267709	PRESSER BAR PRESSURE CYLINDER CAP
6	K545476	PRESSER BAR PRESSURE CYLINDER PLUNGER NUT (2)
7	K267713	PRESSER BAR PRESSURE CYLINDER PLUNGER WASHER (STEEL)
8	K267712	PRESSER BAR PRESSURE CYLINDER PLUNGER WASHER (LEATHER)
9	K267711	PRESSER BAR PRESSURE CYLINDER PLUNGER DISC
10	K267716	PRESSER BAR SPRING
11	K545156	PRESSER BAR PRESSURE CYLINDER CAP SCREW
12	K415117 -451	PRESSER BAR PRESSURE CYLINDER WITH K267653
13	K267653	PRESSER BAR PRESSURE CYLINDER PLUNGER BUSHING
14	K267645	PRESSER BAR PRESSURE CYLINDER HOSE CONNECTION WASHER (2)
15	K994778	PRESSER BAR PRESSURE CYLINDER HOSE CONNECTION
16	K415119	PRESSER BAR PRESSURE CYLINDER PLUNGER
17	K415113	PRESSER BAR SPRING ARM FORK
18	K267714	PRESSER BAR PRESSURE CYLINDER SUPPORT
19	K267650	PRESSER BAR PRESSURE CYLINDER SUPPORT RETAINER
20	K545205 -451	PRESSER BAR PRESSURE CYLINDER SUPPORT RETAINER SCREW (2)
21	K267704	FOOT LIFTER LEVER ROD
22	K248423	FOOT LIFTER LEVER ROD COTTER PIN
23	K414577	FOOT LIFTER LEVER ROD HINGE SCREW
24	K543804 -004	FOOT LIFTER LEVER ROD HINGE SCREW WASHER
25	K541166 -003	FOOT LIFTER LEVER ROD HINGE SCREW NUT
26	K204348	FOOT LIFTER LEVER SPRING
27	K544336	FOOT LIFTER LEVER SPRING SCREW
28	K414570	FOOT LIFTER LEVER SPRING SCREW EYE
29	K281929	FOOT LIFTER LEVER WITH K543850-001
30	K201363	FOOT LIFTER LEVER HINGE SCREW
31	K267707	NEEDLE THREAD TENSION RELEASING PLATE
32	K543850 -001	NEEDLE THREAD TENSION RELEASING PLATE PIN
33	K267738	PRESSER BAR SPRING ARM
34	K414567	PRESSER BAR SPRING ARM HINGE SCREW
35	K543874 -005	PRESSER BAR SPRING ARM HINGE SCREW WASHER
36	K545405	PRESSER BAR SPRING ARM HINGE SCREW NUT

EXTERNAL PARTS SEWING ARM



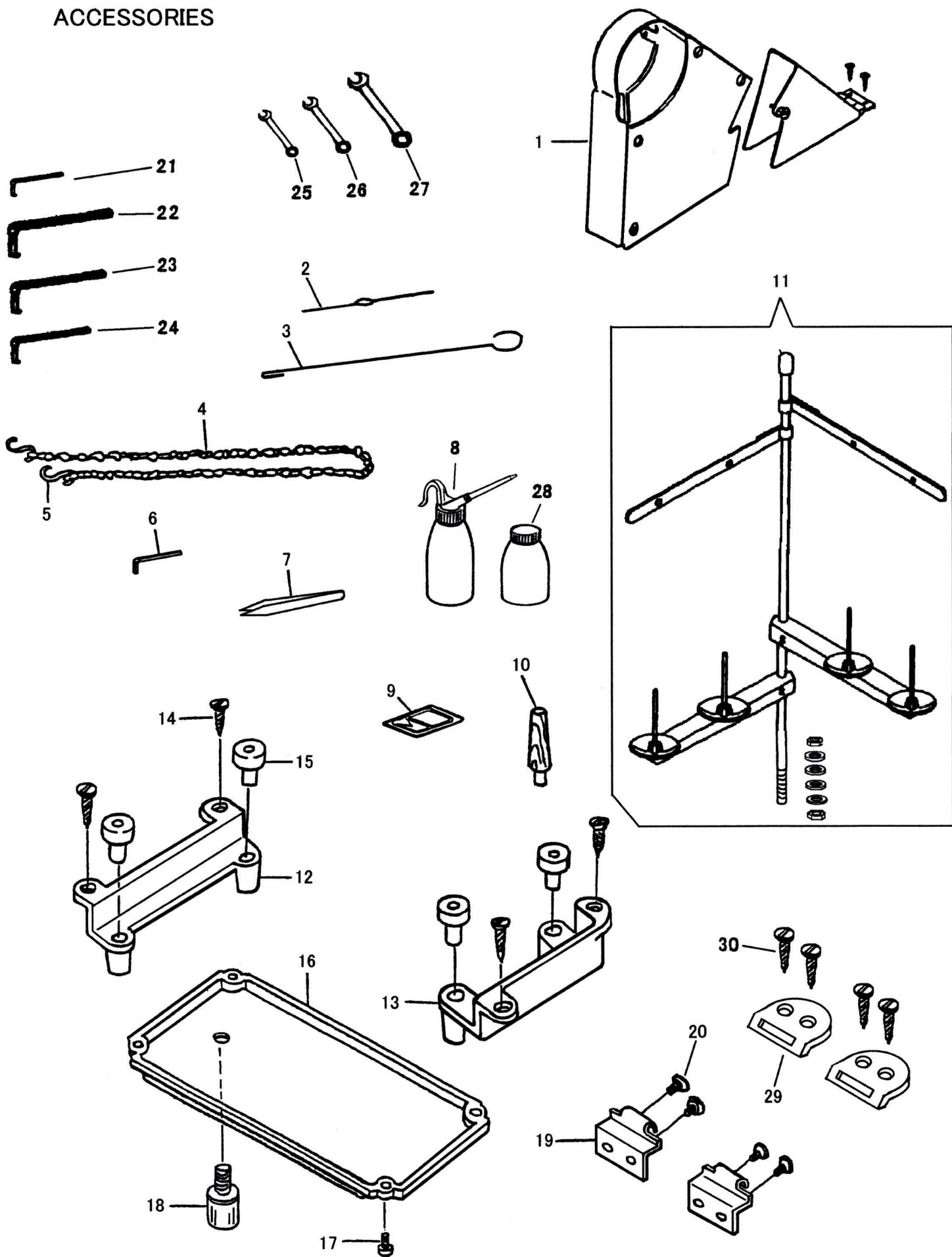
NO.	PART NO.	DESCRIPTION
1	K268506	LOOPER THREAD GUIDE (TOP OF ARM) BRACKET K268111 WITH K268505 AND TWO K50169
2	K268111	LOOPER THREAD GUIDE (TOP OF ARM) BRACKET
3	K268505	LOOPER THREAD GUIDE (TOP OF ARM)
4	K50169	LOOPER THREAD GUIDE (TOP OF ARM) BRACKET SCREW (2)
5	K414537	LOOPER THREAD GUIDE (TOP OF ARM) BRACKET SCREW (2)
6	K544875	ARM PLUG (2)
7	K267971	NEEDLE THREAD TENSION COMPLETE, NOS. K32572, K59538, K59539, K131741, K143657, K143658 AND TWO K2102 (2)
8	K2102	NEEDLE THREAD TENSION DISC (4)
9	K32572	NEEDLE THREAD TENSION RELEASING DISC (2)
10	K59538	NEEDLE THREAD TENSION SPRING BUSHING (BACK) (2)
11	K131741	NEEDLE THREAD TENSION SPRING (2)
12	K143657	NEEDLE THREAD TENSION SPRING BUSHING (FRONT) (2)
13	K143658	NEEDLE THREAD TENSION THUMB NUT LOCKING SPRING (2)
14	K59539	NEEDLE THREAD TENSION STUD K50326 WITH K51570 (2)
15	K50326	NEEDLE THREAD TENSION STUD (2)
16	K51570	NEEDLE THREAD TENSION THUMB NUT (2)
17	K54279	NEEDLE THREAD TENSION THREAD GUIDE (DOUBLE) (2)
18	K226206	NEEDLE THREAD TENSION RELEASING PIN (2)
19	K415357	NEEDLE THREAD TENSION RELEASER
20	K543853 -003	NEEDLE THREAD TENSION BRACKET SPACING COLLAR (2)
21	K268167	NEEDLE THREAD TENSION BRACKET
22	K544336	NEEDLE THREAD TENSION BRACKET SCREW (2)
23	K204365	NEEDLE THREAD TENSION RELEASER SPRING
24	K415252	NEEDLE THREAD TENSION RELEASER CAP WITH K504048
25	K504048	NEEDLE THREAD TENSION RELEASER CAP SET SCREW
26	K268513	NEEDLE THREAD GUIDE (ON SIDE OF ARM) (2)
27	K414514	NEEDLE THREAD GUIDE SCREW (2)
28	K268312	NEEDLE THREAD GUIDE (ON ARM HEAD)
29	K268123	LOOPER THREAD TUBE (2)
30	K415342 -451	LOOPER THREAD TUBE COVER
31	K268500	LOOPER THREAD TUBE COVER CUSHION (2)
32	K414639	LOOPER THREAD TUBE COVER SCREW (4)
33	K502986	ARM PLUG (2)

EXTERNAL PARTS SEWING



NO.	PART NO.	DESCRIPTION
1	K415014 -451	FACE PLATE WITH K268033 AND TWO EACH K228661 AND K545174-452
2	K268330	FACE PLATE HINGE STUD
3	K545174 -452	FACE PLATE HINGE STUD SET SCREW (2)
4	K268033	FACE PLATE LOCK STUD
5	K228661	FACE PLATE CUSHION (NEOPRENE) (2)
6	K268032	FACE PLATE LOCK SPRING
7	K415016	FACE PLATE LOCK SPRING PLATE
8	K414534	FACE PLATE LOCK SPRING SCREW (2)
9	KE0072	ARM SIDE COVER
10	K545246 -452	ARM SIDE COVER SCREW (4)
11	K267656 -452	THREAD LUBRICATOR
12	K504019	THREAD LUBRICATOR SCREW
13	K236957	THREAD LUBRICATOR OIL PAD (FELT) (3)
14	K415026 -451	BED PLATE (LEFT)
15	K414508	BED PLATE SCREW (8)
16	K415330 -451	BED PLATE (RIGHT) COMPLETE
17	K415036 -451	BED PLATE (RIGHT)
18	K268081	FEED REGULATING STUD
19	K270026	FEED REGULATING STUD SPRING (2)
20	KE0075	FEED REGULATING STUD SOCKET
21	K240245	FEED REGULATING STUD RETAINING SPRING
22	K545249 -452	FEED REGULATING STUD SOCKET SCREW (2)
23	K268416	ANTI-REVERSING ROLLER CLUTCH RELEASING LATCH STUD
24	K268418	ANTI-REVERSING ROLLER CLUTCH RELEASING LATCH STUD SOCKET
25	K22989	ANTI-REVERSING ROLLER CLUTCH RELEASING LATCH
26	K29482	ANTI-REVERSING ROLLER CLUTCH RELEASING LATCH STUD PIN
27	K29481	ANTI-REVERSING ROLLER CLUTCH RELEASING LATCH HINGE PIN
28	K22990	ANTI-REVERSING ROLLER CLUTCH RELEASING LATCH COMPLETE, NOS. K22989, K29481, K29482, K268416, K268418 AND K270026
29	K545249 -452	ANTI-REVERSING ROLLER CLUTCH RELEASING LATCH STUD SOCKET SCREW (2)
30	K415027	BED PLATE SLIDE COMPLETE, NOS. K415028, K267970 WITH TWO K268022 AND SIX K545086
31	K415021	BED PLATE SLIDE
32	K268022	BED PLATE SLIDE SPRING (2)
33	K545086	BED PLATE SLIDE SPRING SCREW (6)
34	K267970	BED PLATE SLIDE SPRING (LEFT UPPER)
35	K268373	LOOPER THREAD GUIDE (ON BED AT LOOPER)
36	K414556	LOOPER THREAD GUIDE (ON BED AT LOOPER) SCREW
37	K415255	LOOPER THREAD TENSION BRACKET
38	K543853 -003	LOOPER THREAD TENSION BRACKET SPACING COLLAR (2)
39	K414532	LOOPER THREAD TENSION BRACKET SCREW (2)
40	K268333	LOOPER THREAD TENSION THREAD GUIDE (2)
41	K415294	LOOPER THREAD TENSION COMPLETE, NOS. K10148, K415291, K541452 AND TWO K412203 (2)
42	K415291	LOOPER THREAD TENSION STUD (2)
43	K412203	LOOPER THREAD TENSION DISC (4)
44	K10148	LOOPER THREAD TENSION SPRING (2)
45	K541452	LOOPER THREAD TENSION THUMB NUT (2)
46	K267851 -016	THROAT PLATE (1/4")
47	K414518	THROAT PLATE SCREW (3)
48	KE0007	FACE PLATE HINGE STUD
49	KE0357	ARM PLUG

ACCESSORIES



NO.	PART NO.	DESCRIPTION
1	K415433 -452	BELT GUARD COMPLETE
2	K268340	LOOPER THREADING WIRE
3	K415377	THREAD WIRE
4	K232365	FOOT LIFTER TREADLE CHAIN (41-1/2 INCHES LONG)
5	K202784	FOOT LIFTER TREADLE CHAIN HOOK (2)
6	K21887	WRENCH
7	K543162	TWEEZERS
8	KE0053	OILER
9	KN4112-01 -23	NEEDLE (62X59) SIZE 23 (5)
10	K410186	MACHINE REST PIN
11	K554471 -453	THREAD UNWINDER COMPLETE
12	K228733 -451	MACHINE REST (LEFT)
13	K228734 -451	MACHINE REST (RIGHT)
14	K414583	WOOD SCREW (FOR MACHINE REST) (4)
15	K228444	MACHINE CUSHION (NEOPRENE) (4)
16	K228731 -451	DRIP PAN
17	K545302	DRIP PAN SCREW (4)
18	K167448	OIL DRAIN JAR
19	K265307	BED HINGE CONNECTION (2)
20	K544381	BED HINGE CONNECTION SCREW (4)
21	KE0091	WRENCH 3mm
22	KE0092	WRENCH 4mm
23	KE0093	WRENCH 3/16"
24	KE0094	WRENCH 3/32"
25	KE0095	SPANNER 8mm
26	KE0096	SPANNER 9mm
27	KE0097	SPANNER 12mm
28	KE0117	BOTTLE WITH OIL (100cc)
29	KE0081	BED HINGE PLATE (2)
30	K414583	WOOD SCREW (FOR BED HINGE PLATE) (4)

NUMERICAL PARTS LIST

PART NO.	DESCRIPTION	PAGE	NO.
K229	LOOP DEFLECTOR SCREW (4)	10	3
K2102	NEEDLE THREAD TENSION DISC (4)	16	8
K10148	LOOPER THREAD TENSION SPRING (2)	18	44
K21887	WRENCH	20	6
K22982	ANTI-REVERSING ROLLER CLUTCH	8	68
K22983	ANTI-REVERSING ROLLER CLUTCH BUSHING WITH TWO K500272-833	8	64
K22984	ANTI-REVERSING ROLLER CLUTCH HOUSING	8	67
K22985	ANTI-REVERSING ROLLER CLUTCH HOUSING K22984 WITH K22982	8	66
K22986	ANTI-REVERSING ROLLER CLUTCH RETAINING WASHER	8	69
K22988	ANTI-REVERSING ROLLER CLUTCH COMPLETE, NOS. K22983, K22985, K22986 AND K543802-002	8	63
K22989	ANTI-REVERSING ROLLER CLUTCH RELEASING LATCH	18	25
K22990	ANTI-REVERSING ROLLER CLUTCH RELEASING LATCH COMPLETE, NOS. K22989, K29481, K29482, K268416, K268418 AND K270026	18	28
K29481	ANTI-REVERSING ROLLER CLUTCH RELEASING LATCH HINGE PIN	18	27
K29482	ANTI-REVERSING ROLLER CLUTCH RELEASING LATCH STUD PIN	18	26
K32572	NEEDLE THREAD TENSION RELEASING DISC (2)	16	9
K32788	LIFTING ROCK SHAFT CRANK WITH K141424	6	2
K32789	LIFTING ROCK SHAFT K267633 WITH K32788 AND K548035	6	1
K32825	SPREADER DRIVING ROCK SHAFT SCREW STUD OIL PACKING (WICK)	12	16
K32848	ARM SHAFT BALL BEARING (FRONT)	2	2
K50169	LOOPER THREAD GUIDE (TOP OF ARM) BRACKET SCREW (2)	16	4
K50326	NEEDLE THREAD TENSION STUD (2)	16	15
K51570	NEEDLE THREAD TENSION THUMB NUT (2)	16	16
K54279	NEEDLE THREAD TENSION THREAD GUIDE (DOUBLE) (2)	16	17
K59538	NEEDLE THREAD TENSION SPRING BUSHING (BACK) (2)	16	10
K59539	NEEDLE THREAD TENSION STUD K50326 WITH K51570 (2)	16	14
K131741	NEEDLE THREAD TENSION SPRING (2)	16	11
K141338	LIFTING CRANK SET SCREW	4	5
K141424	LIFTING LINK HINGE PIN SET SCREW	4	6
K141424	LIFTING LINK HINGE PIN SET SCREW	6	5
K141478	NEEDLE GUARD SET SCREW (BACK) (2)	10	37
K141494	NEEDLE GUARD SET SCREW (FRONT) (2)	10	36
K143657	NEEDLE THREAD TENSION SPRING BUSHING (FRONT) (2)	16	12
K143658	NEEDLE THREAD TENSION THUMB NUT LOCKING SPRING (2)	16	13
K167448	OIL DRAIN JAR	20	18
K201363	FOOT LIFTER LEVER HINGE SCREW	14	30
K201477	LOOPER THROW-OUT GEAR LOCKING PLUNGER SCREW BUSHING	10	65
K201746	PRESSER BAR PRESSURE CYLINDER SUPPORT STUD NUT (3)	14	3
K202253	ARM SHAFT CONNECTION BELT PULLEY SPRING FLANGE (2)	2	41
K202330	NEEDLE BAR CONNECTING STUD OIL PACKING (WICK)	4	23
K202784	FOOT LIFTER TREADLE CHAIN HOOK (2)	20	5
K204348	FOOT LIFTER LEVER SPRING	14	26
K204365	NEEDLE THREAD TENSION RELEASER SPRING	16	23
K204925	LOOPER DRIVING CRANK OIL HOLE COVER SCREW WASHER	8	6
K214529	NEEDLE BAR ROCK FRAME REGULATING STUD SPRING	6	21
K226206	NEEDLE THREAD TENSION RELEASING PIN (2)	16	18
K228444	MACHINE CUSHION (NEOPRENE) (4)	20	15
K228661	FACE PLATE CUSHION (NEOPRENE) (2)	18	5
K228731 -451	DRIP PAN	20	16
K228733 -451	MACHINE REST (LEFT)	20	12
K228734 -451	MACHINE REST (RIGHT)	20	13
K232365	FOOT LIFTER TREADLE CHAIN (41-1/2 INCHES LONG)	20	4
K236957	THREAD LUBRICATOR OIL PAD (FELT) (3)	18	13
K240245	FEED REGULATING STUD RETAINING SPRING	18	21
K241763	NEEDLE BAR ROCK FRAME DRIVING ECCENTRIC FRICTION PLATE SCREW SET SCREW PACKING (BRASS) (2)	2	28
K241763	LIFTING ECCENTRIC FRICTION PLATE SCREW SET SCREW PACKING (BRASS) (2)	2	28
K241763	FEED DRIVING ECCENTRIC FRICTION PLATE SCREW SET SCREW PACKING (BRASS) (2)	8	40
K248423	FOOT LIFTER LEVER ROD COTTER PIN	14	22
K250265	LOOPER THROW-OUT GEAR LOCKING PLUNGER SPRING	10	62
K265307	BED HINGE CONNECTION (2)	20	19
K267110	LIFTING ROCK SHAFT NEEDLE BEARING (2)	6	6
K267608	NEEDLE BAR ROCK FRAME DRIVING CONNECTION	2	18
K267608	FEED DRIVING CONNECTION	8	26
K267609	NEEDLE BAR ROCK FRAME DRIVING CONNECTION K267608 WITH K271055	2	20
K267609	FEED DRIVING CONNECTION K267608 WITH K271055	8	28
K267610	FEED DRIVING ECCENTRIC	8	43
K267617	LIFTING LINK HINGE PIN WITH K268258	4	1
K267617	LIFTING ECCENTRIC CONNECTION HINGE PIN WITH K268258	6	12
K267618	LIFTING ECCENTRIC ADJUSTING DISK SPRING	2	30
K267623	NEEDLE BAR ROCK FRAME DRIVING ECCENTRIC FRICTION PLATE	2	25
K267623	LIFTING ECCENTRIC FRICTION PLATE	2	25
K267623	FEED DRIVING ECCENTRIC FRICTION PLATE	8	41
K267626	LIFTING LEVER HINGE STUD	4	8
K267627	LIFTING LINK	4	3

PART NO.	DESCRIPTION	PAGE	NO.
K267628	LIFTING PRESSER BAR	4	41
K267631	LIFTING PRESSER BAR LIFTING CRANK WITH K268258	4	15
K267633	LIFTING ROCK SHAFT	6	3
K267645	PRESSER BAR PRESSURE CYLINDER HOSE CONNECTION WASHER (2)	14	14
K267650	PRESSER BAR PRESSURE CYLINDER SUPPORT RETAINER	14	19
K267653	PRESSER BAR PRESSURE CYLINDER PLUNGER BUSHING	14	13
K267656 -452	THREAD LUBRICATOR	18	11
K267657	VIBRATING PRESSER BAR	4	26
K267658	VIBRATING PRESSER BAR HINGE STUD	4	27
K267676 -016	LIFTING PRESSER FOOT WITH K414638 (1/4")	4	48
K267679 -016	VIBRATING PRESSER FOOT WITH K414638 (1/4")	4	39
K267704	FOOT LIFTER LEVER ROD	14	21
K267707	NEEDLE THREAD TENSION RELEASING PLATE	14	31
K267709	PRESSER BAR PRESSURE CYLINDER CAP	14	5
K267711	PRESSER BAR PRESSURE CYLINDER PLUNGER DISC	14	9
K267712	PRESSER BAR PRESSURE CYLINDER PLUNGER WASHER (LEATHER)	14	8
K267713	PRESSER BAR PRESSURE CYLINDER PLUNGER WASHER (STEEL)	14	7
K267714	PRESSER BAR PRESSURE CYLINDER SUPPORT	14	18
K267716	PRESSER BAR SPRING	14	10
K267718	PRESSER BAR SPRING ARM BALL RETAINER	4	10
K267738	PRESSER BAR SPRING ARM	14	33
K267802 -016	FEED DOG WITH TWO K268318 AND FOUR K229 (1/4")	10	1
K267851 -016	THROAT PLATE (1/4")	18	46
K267907	LIFTING PRESSER BAR GUIDE ROD	4	45
K267933	FEED LIFTING ROCK SHAFT	10	30
K267970	BED PLATE SLIDE SPRING (LEFT UPPER)	18	34
K267971	NEEDLE THREAD TENSION COMPLETE, NOS. K32572, K59538, K59539, K131741, K143657, K143658 AND TWO K2102 (2)	16	7
K268004 -451	ARM SHAFT BALL BEARING (BACK) HOUSING	2	43
K268009	ARM SHAFT OIL STOP BALL SPRING (FRONT)	2	12
K268022	BED PLATE SLIDE SPRING (2)	18	32
K268029	NEEDLE BAR ROCK FRAME NEEDLE BEARING (2)	4	33
K268032	FACE PLATE LOCK SPRING	18	6
K268033	FACE PLATE LOCK STUD	18	4
K268035	FEED BAR HINGE PIN	10	21
K268044	ARM SHAFT OIL STOP BALL SPRING (REAR)	2	15
K268044	BED SHAFT OIL STOP BALL SPRING	8	22
K268051	LOOPER THREAD GUIDE (ON FRONT)	12	22
K268052	LOOPER THREAD TAKE-UP ROD	12	20
K268056	NEEDLE BAR CONNECTING LINK WITH TWO K270266	4	19
K268065	NEEDLE BAR ROCK FRAME DRIVING ECCENTRIC ADJUSTING DISC	2	29
K268065	LIFTING ECCENTRIC ADJUSTING DISC	2	29
K268065	FEED DRIVING ECCENTRIC ADJUSTING DISC	8	44
K268066	FEED DRIVING ECCENTRIC ADJUSTING DISC SPRING	8	45
K268070	FEED DRIVING ROCK SHAFT	10	17
K268074	FEED LIFTING CONNECTION	8	11
K268077	FEED LIFTING ECCENTRIC LUBRICATING PAD (WOOD)	8	9
K268078	FEED LIFTING LINK	10	24
K268079	FEED LIFTING LINK HINGE PIN WITH K268258 (2)	10	25
K268081	FEED REGULATING STUD	18	18
K268093	LOOPER CARRIER SHAFT	10	46
K268096	LOOPER CARRIER SHAFT BUSHING (LEFT) POSITION PLATE	10	73
K268102	LOOPER DRIVING CRANK OIL HOLE COVER	8	4
K268111	LOOPER THREAD GUIDE (TOP OF ARM) BRACKET	16	2
K268123	LOOPER THREAD TUBE (2)	16	29
K268131	LOOPER THROW-OUT SAFETY LATCH	10	31
K268132	LOOPER THROW-OUT SAFETY LATCH SPRING	10	58
K268133	LOOPER THROW-OUT SAFETY LATCH SPRING BRACKET	10	59
K268139	NEEDLE BAR CONNECTING LINK CAP WASHER	4	18
K268139	LOOPER DRIVING CONNECTION WASHER	8	6
K268144	NEEDLE BAR OILING FELT (2)	4	34
K268148	NEEDLE BAR ROCK FRAME REGULATING STUD	6	22
K268149	NEEDLE BAR ROCK FRAME REGULATING STUD SLEEVE	6	20
K268151 -016	NEEDLE HOLDER WITH TWO K545181-451 (1/4")	4	29
K268162	SPREADER POINT (2)	12	2
K268167	NEEDLE THREAD TENSION BRACKET	16	21
K268184	SPREADER BAR BRACKET	12	7
K268190	SPREADER DRIVING PIN	12	10
K268208	LOOPER CARRIER CRANK HINGE PIN WITH K268258	10	40
K268214	ARM SHAFT OIL STOP BALL 5/32 IN. DIA. (2)	2	13
K268214	BED SHAFT OIL STOP BALL 5/32 IN. DIA.	8	23
K268219	NEEDLE BAR ROCK FRAME THREAD GUIDE	4	37
K268220	SPREADER DRIVING ECCENTRIC THRUST WASHER (2)	8	51
K268258	LIFTING ECCENTRIC CONNECTION HINGE PIN OIL PACKING (WICK)	4	2
K268258	LIFTING LINK HINGE PIN OIL PACKING (WICK)	4	2
K268258	LIFTING PRESSER BAR LIFTING CRANK OIL PACKING (WICK)	4	16
K268258	LIFTING ECCENTRIC CONNECTION HINGE PIN OIL PACKING (WICK)	6	13

PART NO.	DESCRIPTION	PAGE	NO.
K268258	NEEDLE BAR ROCK FRAME DRIVING CONNECTION HINGE STUD OIL PACKING (WICK)	6	25
K268258	FEED LIFTING CONNECTION HINGE STUD OIL PACKING (WICK)	8	16
K268258	FEED DRIVING CONNECTION HINGE STUD OIL PACKING (WICK)	8	32
K268258	FEED LIFTING LINK HINGE PIN OIL PACKING (WICK) (2)	10	26
K268258	LOOPER CARRIER CRANK HINGE PIN OIL PACKING (WICK)	10	41
K268264	ARM SHAFT OIL CONTROL ROD (WOOD)	2	11
K268265	BED SHAFT OIL CONTROL ROD (WOOD)	8	21
K268270	ARM SHAFT CONNECTION BELT (REINFORCED NEOPRENE)	2	39
K268278	NEEDLE BAR OILING FELT HOLDER (2)	4	35
K268312	NEEDLE THREAD GUIDE (ON ARM HEAD)	16	28
K268313	LOOPER THROW-OUT GEAR LOCKING PLUNGER HANDLE	10	66
K268318	LOOP DEFLECTOR (2)	10	2
K268330	FACE PLATE HINGE STUD	18	2
K268333	LOOPER THREAD TENSION THREAD GUIDE (2)	18	40
K268340	LOOPER THREADING WIRE	20	2
K268373	LOOPER THREAD GUIDE (ON BED AT LOOPER)	18	35
K268374 -016	SPREADER WITH TWO K268162 (1/4")	12	1
K268380	LOOPER WITH K141478 AND K141494 (2)	10	34
K268416	ANTI-REVERSING ROLLER CLUTCH RELEASING LATCH STUD	18	23
K268418	ANTI-REVERSING ROLLER CLUTCH RELEASING LATCH STUD SOCKET	18	24
K268490	LIFTING ECCENTRIC CONNECTION	2	35
K268491	LIFTING ECCENTRIC CONNECTION WITH K271055	2	37
K268499	SPREADER BAR	12	9
K268500	LOOPER THREAD TUBE COVER CUSHION (2)	16	31
K268505	LOOPER THREAD GUIDE (TOP OF ARM)	16	3
K268506	LOOPER THREAD GUIDE (TOP OF ARM) BRACKET K268111 WITH K268505 AND TWO K50169	16	1
K268512	NEEDLE THREAD GUIDE (ON NEEDLE BAR CONNECTING STUD)	4	21
K268513	NEEDLE THREAD GUIDE (ON SIDE OF ARM) (2)	16	26
K270026	FEED REGULATING STUD SPRING (2)	18	19
K270266	NEEDLE BAR CONNECTING LINK NEEDLE BEARING (2)	4	20
K271055	NEEDLE BAR ROCK FRAME DRIVING CONNECTION NEEDLE BEARING	2	19
K271055	LIFTING ECCENTRIC CONNECTION NEEDLE BEARING	2	36
K271055	FEED DRIVING CONNECTION NEEDLE BEARING	8	27
K272142	ARM SHAFT BALL BEARING (BACK)	2	50
K272142	BED SHAFT THRUST COLLAR BALL BEARING	8	62
K276025	PRESSER BAR SPRING ARM BALL	4	13
K281207	NEEDLE GUARD (2)	10	35
K281208	LOOPER AND NEEDLE GUARD COMPLETE, NOS. K281207 AND K268380 (2)	10	33
K281212	BED SHAFT WITH K268044, K268214, K268265 AND K414578	8	20
K281216	BED SHAFT BALL BEARING	8	18
K281223	LOOPER DRIVING CONNECTION WITH K415500	10	38
K281224	BED SHAFT BALL BEARING	8	19
K281239	NEEDLE BAR CRANK COMPLETE, NOS. K415138, K32848, K281258, KE0099 AND TWO K545205-451	2	3
K281246	SPREADER DRIVING CONNECTION WITH K415368, K281248 AND K544201-001	8	52
K281248	SPREADER DRIVING ROCK SHAFT SCREW STUD BALL ROLLER	8	54
K281250	SPREADER DRIVING ROCK SHAFT SCREW STUD	12	15
K281256	COUNTERBALANCE WITH TWO K544208-005	2	37
K281258	NEEDLE BAR CRANK OIL PACKING (WICK)	2	9
K281265	LOOPER CARRIER WITH TWO K415500	10	44
K281268 -016	LOOPER HOLDER WITH FOUR K414558 (1/4")	10	42
K281290	ARM SHAFT CONNECTION BELT PULLEY WITH TWO EACH K414546 AND K202253	2	40
K281292	BED SHAFT CONNECTION BELT PULLEY WITH TWO K414546	8	57
K281294	ARM SHAFT THRUST COLLAR WITH K272142 AND TWO K544209-005	2	49
K281294	BED SHAFT THRUST COLLAR WITH K272142 AND TWO K544209-005	8	59
K281295 -001	ARM SHAFT THRUST COLLAR	2	51
K281295 -001	BED SHAFT THRUST COLLAR	8	60
K281296 -467	MACHINE PULLEY WITH K414525 AND K414526	2	45
K281297 -467	MACHINE PULLEY	2	46
K281927	PRESSER BAR SPRING ARM FULCRUM	6	31
K281929	FOOT LIFTER LEVER WITH K543850-001	14	29
K350579	PRESSER BAR PRESSURE CYLINDER SUPPORT STUD	14	2
K350604	PRESSER BAR SPRING ARM FULCRUM SET SCREW (2)	6	33
K374098	NEEDLE BAR ROCK FRAME DRIVING ECCENTRIC FRICTION PLATE SCREW (2)	2	26
K374098	FEED DRIVING ECCENTRIC FRICTION PLATE SCREW (2)	8	42
K374099	LOOPER DRIVING CRANK POSITION SCREW (2)	8	2
K410186	MACHINE REST PIN	20	10
K412011	FEED DRIVING ECCENTRIC ADJUSTING DISC SPRING COLLAR WITH TWO K544325	8	46
K412203	LOOPER THREAD TENSION DISC (4)	18	43
K414501	FEED LIFTING CRANK PINCH SCREW	10	28
K414504	LIFTING ROCK SHAFT BRACKET SCREW (2)	6	15
K414508	BED PLATE SCREW (8)	18	15
K414509	LIFTING ECCENTRIC CONNECTION CRANK PINCH SCREW (2)	6	10
K414509	FOOT LIFTER ARM PINCH SCREW	6	35
K414510	LOOPER THREAD GUIDE SCREW	12	23
K414511	LIFTING CRANK PINCH SCREW (2)	4	7
K414511	NEEDLE BAR CONNECTING STUD PINCH SCREW (2)	4	24

PART NO.	DESCRIPTION	PAGE	NO.
K414511	FEED LIFTING ROCK SHAFT CRANK PINCH SCREW (2)	8	13
K414511	FEED DRIVING ROCK SHAFT CRANK PINCH SCREW (2)	8	30
K414512	LIFTING PRESSER BAR GUIDE BLOCK PINCH SCREW	4	44
K414514	NEEDLE THREAD GUIDE SCREW (2)	16	27
K414515	LOOPER CARRIER SHAFT BUSHING (LEFT) POSITION PLATE SCREW (2)	10	74
K414516	LIFTING PRESSER BAR GUIDE BLOCK ADJUSTING SCREW	4	43
K414516	LOOPER CARRIER CRANK HINGE PIN PINCH SCREW	10	52
K414517	NEEDLE BAR CONNECTING LINK CAP WASHER SCREW	4	17
K414518	FEED DOG SCREW (2)	10	4
K414518	THROAT PLATE SCREW (3)	18	47
K414520	FEED DOG SHANK SCREW	10	8
K414522	NEEDLE BAR OILING FELT HOLDER SCREW (2)	4	36
K414524	SPREADER BAR BRACKET SCREW (2)	12	8
K414525	MACHINE PULLEY SET SCREW	2	47
K414526	MACHINE PULLEY POSITION SCREW	2	48
K414527	NEEDLE BAR ROCK FRAME REGULATING STUD SLEEVE SET SCREW	6	23
K414528	NEEDLE BAR ROCK FRAME REGULATING STUD CAP SET SCREW	6	19
K414528	SPREADER DRIVING ECCENTRIC SET SCREW (2)	8	50
K414528	SPREADER DRIVING ECCENTRIC COUNTERBALANCE SET SCREW (2)	8	50
K414528	LOOPER THROW-OUT GEAR LOCKING PLUNGER STOP SCREW SET SCREW	10	64
K414529	NEEDLE BAR ROCK FRAME DRIVING ECCENTRIC SPACING COLLAR SET SCREW (2)	2	17
K414529	LIFTING ECCENTRIC SPACING COLLAR SET SCREW (2)	2	39
K414529	FEED BAR HINGE PIN COLLAR SET SCREW	10	23
K414529	SPREADER HOLDER SET SCREW (2)	12	6
K414532	LOOPER THREAD TENSION BRACKET SCREW (2)	18	39
K414534	FACE PLATE LOCK SPRING SCREW (2)	18	8
K414537	LOOPER THREAD GUIDE (TOP OF ARM) BRACKET SCREW (2)	16	5
K414539	NEEDLE BAR ROCK FRAME THREAD GUIDE SCREW (2)	4	38
K414543	LIFTING ECCENTRIC CONNECTION HINGE PIN PINCH SCREW	6	11
K414545	NEEDLE THREAD GUIDE (ON NEEDLE BAR CONNECTING STUD) SET SCREW	4	25
K414546	ARM SHAFT CONNECTION BELT PULLEY SET SCREW (2)	2	42
K414546	BED SHAFT CONNECTION BELT PULLEY SET SCREW (2)	8	58
K414548	PRESSER BAR SPRING ARM BALL RETAINER SCREW (2)	4	11
K414549	FEED LIFTING ROCK SHAFT CRANK POSITION SCREW	8	14
K414552	SPREADER SCREW	12	3
K414555	NEEDLE BAR ROCK FRAME DRIVING ECCENTRIC FLANGE SET SCREW (2)	2	24
K414555	LIFTING ECCENTRIC FLANGE SET SCREW (2)	2	24
K414555	FEED DRIVING ECCENTRIC FLANGE SET SCREW (2)	8	38
K414556	FOOT LIFTER CRANK STOP SCREW STUD	6	32
K414556	LOOPER THREAD GUIDE (ON BED AT LOOPER) SCREW	18	36
K414557	NEEDLE BAR ROCK FRAME DRIVING ECCENTRIC FRICTION PLATE SCREW SET SCREW (2)	2	27
K414557	LIFTING ECCENTRIC FRICTION PLATE SCREW SET SCREW (2)	2	27
K414557	FEED DRIVING ECCENTRIC FRICTION PLATE SCREW SET SCREW (2)	8	39
K414558	LOOPER SET SCREW (4)	10	43
K414559	FEED DOG SHANK ADJUSTING SCREW	10	6
K414563	LOOPER DRIVING CRANK OIL HOLE COVER SCREW	8	5
K414564	LOOPER THROW-OUT GEAR LOCKING PLUNGER STOP SCREW	10	63
K414567	PRESSER BAR SPRING ARM HINGE SCREW	14	34
K414570	FOOT LIFTER LEVER SPRING SCREW EYE	14	28
K414577	FOOT LIFTER LEVER ROD HINGE SCREW	14	23
K414578	ARM SHAFT OIL STOP BALL SCREW (2)	2	14
K414578	BED SHAFT OIL STOP BALL SCREW	8	24
K414583	WOOD SCREW (FOR MACHINE REST) (4)	20	14
K414583	WOOD SCREW (FOR BED HINGE PLATE) (4)	20	30
K414638	VIBRATING PRESSER FOOT PINCH SCREW	4	40
K414638	LIFTING PRESSER PINCH SCREW	4	49
K414639	LOOPER THREAD TUBE COVER SCREW (4)	16	32
K414750 -002	LOOPER HOLDER SCREW	10	56
K414750 -004	PRESSER BAR SPRING ARM FULCRUM SCREW	6	37
K414790	NEEDLE BAR ROCK FRAME DRIVING ARM PINCH SCREW (2)	6	29
K415014 -451	FACE PLATE WITH K268033 AND TWO EACH K228661 AND K545174-452	18	1
K415016	FACE PLATE LOCK SPRING PLATE	18	7
K415021	BED PLATE SLIDE	18	31
K415026 -451	BED PLATE (LEFT)	18	14
K415027	BED PLATE SLIDE COMPLETE, NOS. K415028, K267970 WITH TWO K268022 AND SIX K545086	18	30
K415036 -451	BED PLATE (RIGHT)	18	17
K415043	NEEDLE BAR	4	28
K415045	NEEDLE BAR ROCK FRAME	4	32
K415053	NEEDLE BAR CONNECTING STUD WITH K202330, K414545 AND TWO K414511	4	22
K415059	LIFTING PRESSER BAR GUIDE BLOCK WITH K414512 AND K414516	4	42
K415061	LIFTING CRANK WITH K141424, K141338 AND TWO K414511	4	4
K415065	FEED DRIVING ROCK SHAFT COLLAR WITH TWO K504020	10	15
K415065	FEED LIFTING ROCK SHAFT COLLAR WITH TWO K504020	10	15
K415065	SPREADER DRIVING ROCK SHAFT COLLAR WITH TWO K504020 (2)	12	18
K415067	LIFTING LEVER WITH TWO KE0008	4	12
K415069	LIFTING ECCENTRIC CONNECTION CRANK WITH K414543 AND TWO K414509	6	9

PART NO.	DESCRIPTION	PAGE	NO.
K415071 -451	LIFTING ROCK SHAFT BRACKET	6	14
K415073	FEED DRIVING ECCENTRIC FLANGE K415074 WITH K267623 AND TWO EACH K241763, K414555, K414557 AND K374098	8	36
K415074	FEED DRIVING ECCENTRIC FLANGE	8	37
K415076	LIFTING ECCENTRIC FLANGE K415077 WITH K267623 AND TWO EACH K241763, K414555, K414557 AND K544286	2	31
K415077	LIFTING ECCENTRIC FLANGE	2	32
K415078	NEEDLE BAR ROCK FRAME DRIVING ECCENTRIC FLANGE K415079 WITH K267623 AND TWO EACH K241763, K414555, K414557 AND K374098	2	22
K415079	NEEDLE BAR ROCK FRAME DRIVING ECCENTRIC FLANGE	2	23
K415081	LIFTING ECCENTRIC AND NEEDLE BAR ROCK FRAME DRIVING ECCENTRIC COMPLETE, NOS. K267618, K415076, K415078 AND TWO EACH K267610, K268065	2	34
K415082	FEED DRIVING ECCENTRIC COMPLETE, NOS. K267610, K268065, K268066, K412011 AND K415073	8	35
K415085	LIFTING ROCK SHAFT COLLAR WITH TWO K504020	6	7
K415086	LIFTING ECCENTRIC SPACING COLLAR WITH TWO K414529	2	38
K415091	NEEDLE BAR ROCK FRAME DRIVING CONNECTION HINGE STUD WITH K268258	6	24
K415091	FEED LIFTING CONNECTION HINGE STUD WITH K268258	8	15
K415091	FEED DRIVING CONNECTION HINGE STUD WITH K268258	8	31
K415094 -451	NEEDLE BAR ROCK FRAME DRIVING ARM WITH TWO K414790	6	28
K415098	NEEDLE BAR ROCK FRAME REGULATING STUD COMPLETE, NOS. K214529, K415099, K268148 AND K268149	6	17
K415099	NEEDLE BAR ROCK FRAME REGULATING STUD CAP WITH K414528	6	18
K415113	PRESSER BAR SPRING ARM FORK	14	17
K415116 -451	PRESSER BAR PRESSURE CYLINDER COMPLETE, NOS. K548459, K415117-451, K267709, K267711, K415119, K267712, K267713, K267716, K415113, K350579, K994778, TWO EACH K545476, K545156, K267645 AND THREE K201746	14	1
K415117 -451	PRESSER BAR PRESSURE CYLINDER WITH K267653	14	12
K415119	PRESSER BAR PRESSURE CYLINDER PLUNGER	14	16
K415122	FOOT LIFTER ARM WITH K414509 AND K545213	6	34
K415128	ARM SHAFT WITH K268009, K268044, K268264, TWO EACH K268214 AND K414578	2	10
K415138	NEEDLE BAR CRANK WITH K500272-833, K544358 AND K549024	2	1
K415168	LOOPER CARRIER SHAFT BUSHING (LEFT) WITH K500264-833 AND K549024	10	47
K415170	LOOPER CARRIER SHAFT BUSHING (RIGHT) WITH K500264-833 AND K549024	10	48
K415174	LOOPER CARRIER CRANK WITH K414516	10	51
K415176	LOOPER DRIVING CRANK WITH K500264-833 AND TWO K374099	8	1
K415178	LOOPER THROW-OUT RACK ROD K415179 WITH K541451	10	68
K415179	LOOPER THROW-OUT RACK ROD	10	69
K415180	LOOPER THROW-OUT GEAR WITH TWO K500264-833	10	71
K415182	LOOPER THROW-OUT GEAR LOCKING PLUNGER	10	61
K415187	SPREADER DRIVING ECCENTRIC WITH K543808-002 AND TWO K414528	8	48
K415190	SPREADER DRIVING ECCENTRIC COUNTERBALANCE WITH TWO K414528	8	56
K415194	SPREADER DRIVING CRANK WITH TWO K544204-001	12	13
K415196	SPREADER HOLDER WITH TWO K414529	12	5
K415198	FEED BAR WITH K545213 AND TWO K544204-001	10	18
K415200	FEED DRIVING ROCK FRAME WITH K500264-833 AND K549024	10	11
K415202	FEED BAR HINGE PIN COLLAR WITH K414529	10	22
K415204	FEED LIFTING CRANK WITH K414501 AND K545213	10	27
K415206	FEED LIFTING ROCK SHAFT CRANK WITH K414549 AND TWO K414511	8	12
K415208	FEED DOG SHANK WITH K414559 AND K541200	10	5
K415210	FEED LIFTING ECCENTRIC WITH K268077 AND TWO K544208-005	8	8
K415212	FEED DRIVING ROCK SHAFT CRANK K415213 WITH K268061, K415091, K541197 AND K545297	8	27
K415213	FEED DRIVING ROCK SHAFT CRANK WITH TWO K414511	8	29
K415252	NEEDLE THREAD TENSION RELEASER CAP WITH K504048	16	24
K415255	LOOPER THREAD TENSION BRACKET	18	37
K415291	LOOPER THREAD TENSION STUD (2)	18	42
K415292	LOOPER CARRIER CRANK CLAMPING STUD	10	53
K415294	LOOPER THREAD TENSION COMPLETE, NOS. K10148, K415291, K541452 AND TWO K412203 (2)	18	41
K415297	FEED DRIVING ROCK SHAFT BUSHING (2)	10	14
K415297	FEED LIFTING ROCK SHAFT BUSHING (2)	10	14
K415297	SPREADER DRIVING ROCK SHAFT BUSHING (2)	12	11
K415308	LIFTING ECCENTRIC SPACING COLLAR WITH TWO K414529	2	16
K415330 -451	BED PLATE (RIGHT) COMPLETE	18	16
K415342 -451	LOOPER THREAD TUBE COVER	16	30
K415357	NEEDLE THREAD TENSION RELEASER	16	19
K415368	SPREADER DRIVING CONNECTION NEEDLE BEARING	8	53
K415377	THREAD WIRE	20	3
K415389	SPREADER DRIVING ROCK SHAFT WITH K504019	12	12
K415433 -452	BELT GUARD COMPLETE	20	1
K415500	LOOPER DRIVING CONNECTION BUSHING	10	39
K415500	LOOPER CARRIER BUSHING (2)	10	45
K500264 -833	LOOPER DRIVING CRANK SET SCREW	8	3
K500264 -833	FEED DRIVING ROCK FRAME SET SCREW	10	13
K500264 -833	LOOPER CARRIER SHAFT BUSHING SET SCREW (2)	10	50
K500264 -833	LOOPER THROW-OUT GEAR SET SCREW (2)	10	72
K500272 -833	NEEDLE BAR CRANK SET SCREW	2	6
K500272 -833	ANTI-REVERSING ROLLER CLUTCH BUSHING SET SCREW (2)	8	65
K502986	ARM PLUG	16	33
K504019	LOOPER THREAD TAKE-UP ROD SET SCREW	12	21
K504019	THREAD LUBRICATOR SCREW	18	12

PART NO.	DESCRIPTION	PAGE	NO.
K504020	LIFTING ROCK SHAFT COLLAR SET SCREW (2)	6	8
K504020	FEED DRIVING ROCK SHAFT COLLAR SET SCREW (4)	10	16
K504020	FEED LIFTING ROCK SHAFT COLLAR SET SCREW (4)	10	16
K504020	SPREADER DRIVING ROCK SHAFT COLLAR SET SCREW (4)	12	19
K504048	NEEDLE THREAD TENSION RELEASER CAP SET SCREW	16	25
K541166 -001	PRESSER BAR SPRING ARM FULCRUM SCREW NUT	6	38
K541166 -003	FEED DOG SHANK SCREW LOCK NUT	10	10
K541166 -003	FOOT LIFTER LEVER ROD HINGE SCREW NUT	14	25
K541197	NEEDLE BAR ROCK FRAME DRIVING CONNECTION HINGE STUD NUT	6	26
K541197	FEED LIFTING CONNECTION HINGE STUD NUT	8	17
K541197	FEED DRIVING CONNECTION HINGE STUD NUT	8	33
K541198	LOOPER CARRIER CRANK CLAMPING STUD NUT	10	54
K541200	FEED DOG SHANK ADJUSTING SCREW LOCK NUT	10	7
K541451	LOOPER THROW-OUT RACK ROD THUMB NUT	10	70
K541452	LOOPER THREAD TENSION THUMB NUT (2)	18	45
K541453	LOOPER THROW-OUT GEAR LOCKING PLUNGER THUMB NUT	10	67
K543162	TWEEZERS	20	7
K543801 -012	LOOPER THROW-OUT SAFETY LATCH RETAINING RING	10	32
K543802 -020	ANTI-REVERSING ROLLER CLUTCH RETAINING WASHER RETAINER	8	70
K543804 -004	FEED DOG SHANK SCREW WASHER	10	9
K543804 -004	LOOPER HOLDER SCREW WASHER	10	57
K543804 -004	FOOT LIFTER LEVER ROD HINGE SCREW WASHER	14	24
K543808 -002	SPREADER DRIVING ECCENTRIC PIN	8	49
K543841 -001	LIFTING ROCK SHAFT BRACKET POSITION PIN (2)	6	16
K543850 -001	NEEDLE THREAD TENSION RELEASING PLATE PIN	14	32
K543853 -003	NEEDLE THREAD TENSION BRACKET SPACING COLLAR (2)	16	20
K543853 -003	LOOPER THREAD TENSION BRACKET SPACING COLLAR (2)	18	38
K543874 -005	PRESSER BAR SPRING ARM HINGE SCREW WASHER	14	35
K544203 -001	SPREADER DRIVING ROCK SHAFT SCREW STUD BALL ROLLER SET SCREW	8	55
K544204 -001	FEED BAR SET SCREW (2)	10	19
K544204 -001	SPREADER DRIVING CRANK SET SCREW (2)	12	14
K544208 -005	COUNTERBALANCE SET SCREW (2)	2	38
K544208 -005	FEED LIFTING ECCENTRIC SET SCREW (2)	8	10
K544209 -005	ARM SHAFT THRUST COLLAR SET SCREW (2)	2	52
K544209 -005	BED SHAFT THRUST COLLAR SET SCREW (2)	8	61
K544213 -001	LOOPER DRIVING CONNECTION WASHER SCREW	8	7
K544286	LIFTING ECCENTRIC FLANGE FRICTION PLATE SCREW (2)	2	33
K544301	LIFTING PRESSER BAR GUIDE ROD SET SCREW (UPPER)	4	46
K544301	LIFTING PRESSER BAR GUIDE ROD SET SCREW (LOWER)	4	47
K544322	LIFTING LEVER HINGE STUD SET SCREW (2)	4	9
K544325	FEED DRIVING ECCENTRIC ADJUSTING DISC SPRING COLLAR SET SCREW (2)	8	47
K544336	ARM SHAFT BALL BEARING (BACK) HOUSING SCREW (3)	2	44
K544336	FOOT LIFTER LEVER SPRING SCREW	14	27
K544336	NEEDLE THREAD TENSION BRACKET SCREW (2)	16	22
K544358	NEEDLE BAR CRANK POSITION SCREW CHECK SCREW	2	5
K544381	BED HINGE CONNECTION SCREW (4)	20	20
K544875	ARM PLUG (2)	16	6
K545086	BED PLATE SLIDE SPRING SCREW (6)	18	33
K545156	PRESSER BAR PRESSURE CYLINDER CAP SCREW	14	11
K545174 -452	FACE PLATE HINGE STUD SET SCREW (2)	18	3
K545181 -451	NEEDLE SET SCREW (2)	4	30
K545205 -451	NEEDLE BAR CRANK COVER SCREW (2)	2	8
K545205 -451	LOOPER THROW-OUT SAFETY LATCH SPRING BRACKET SCREW (2)	10	60
K545205 -451	PRESSER BAR PRESSURE CYLINDER SUPPORT RETAINER SCREW (2)	14	20
K545213	FOOT LIFTER ARM SET SCREW	6	36
K545213	FEED LIFTING LINK HINGE PIN SET SCREW	10	20
K545213	FEED LIFTING LINK HINGE PIN SET SCREW	10	29
K545246 -452	ARM SIDE COVER SCREW (4)	18	10
K545249 -452	FEED REGULATING STUD SOCKET SCREW (2)	18	22
K545249 -452	ANTI-REVERSING ROLLER CLUTCH RELEASING LATCH STUD SOCKET SCREW (2)	18	29
K545297	NEEDLE BAR ROCK FRAME DRIVING CONNECTION CAP SCREW	6	27
K545297	FEED DRIVING CONNECTION CAP SCREW	8	34
K545302	DRIP PAN SCREW (4)	20	17
K545405	PRESSER BAR SPRING ARM HINGE SCREW NUT	14	36
K545424	SPREADER DRIVING ROCK SHAFT SCREW STUD NUT	12	17
K545476	PRESSER BAR PRESSURE CYLINDER PLUNGER NUT (2)	14	6
K547670	SPREADER SCREW WASHER	12	4
K548035	LIFTING ROCK SHAFT CRANK PIN	6	4
K548459	LOOPER CARRIER CRANK CLAMPING STUD WASHER	10	55
K548459	PRESSER BAR PRESSURE CYLINDER SUPPORT STUD NUT LOCK WASHER	14	4
K549024	NEEDLE BAR CRANK POSITION SCREW	2	4
K549024	FEED DRIVING ROCK FRAME POSITION SCREW	10	12
K549024	LOOPER CARRIER SHAFT BUSHING POSITION SCREW (2)	10	49
K554471 -453	THREAD UNWINDER COMPLETE	20	11
K994778	PRESSER BAR PRESSURE CYLINDER HOSE CONNECTION	14	15
KE0007	FACE PLATE HINGE STUD	18	48

PART NO.	DESCRIPTION	PAGE	NO.
KE0008	LIFTING LEVER BUSHING (2)	4	14
KE0053	OILER	20	8
KE0072	ARM SIDE COVER	18	9
KE0075	FEED REGULATING STUD SOCKET	18	20
KE0081	BED HINGE PLATE (2)	20	29
KE0099	NEEDLE BAR CRANK COVER	2	7
KE0091	WRENCH 3mm	20	21
KE0092	WRENCH 4mm	20	22
KE0093	WRENCH 3/16"	20	23
KE0094	WRENCH 3/32"	20	24
KE0095	SPANNER 8mm	20	25
KE0096	SPANNER 9mm	20	26
KE0097	SPANNER 12mm	20	27
KE0117	BOTTLE WITH OIL (100cc)	20	28
KE0357	ARM PLUG	18	49
KN4112-01 -23	NEEDLE (62X59) SIZE 23 (2)	4	31
KN4112-01 -23	NEEDLE (62X59) SIZE 23 (5)	20	9

KAMBARA Engineering Co., Ltd.
Yoshida Soko 1F, 1508-4 Shimohiraide
Utsunomiya, Tochigi 321-0903, Japan
TEL: 81-28-683-6636
FAX: 81-28-683-6638
<https://kambara-engineering.jp>
Printed in Japan