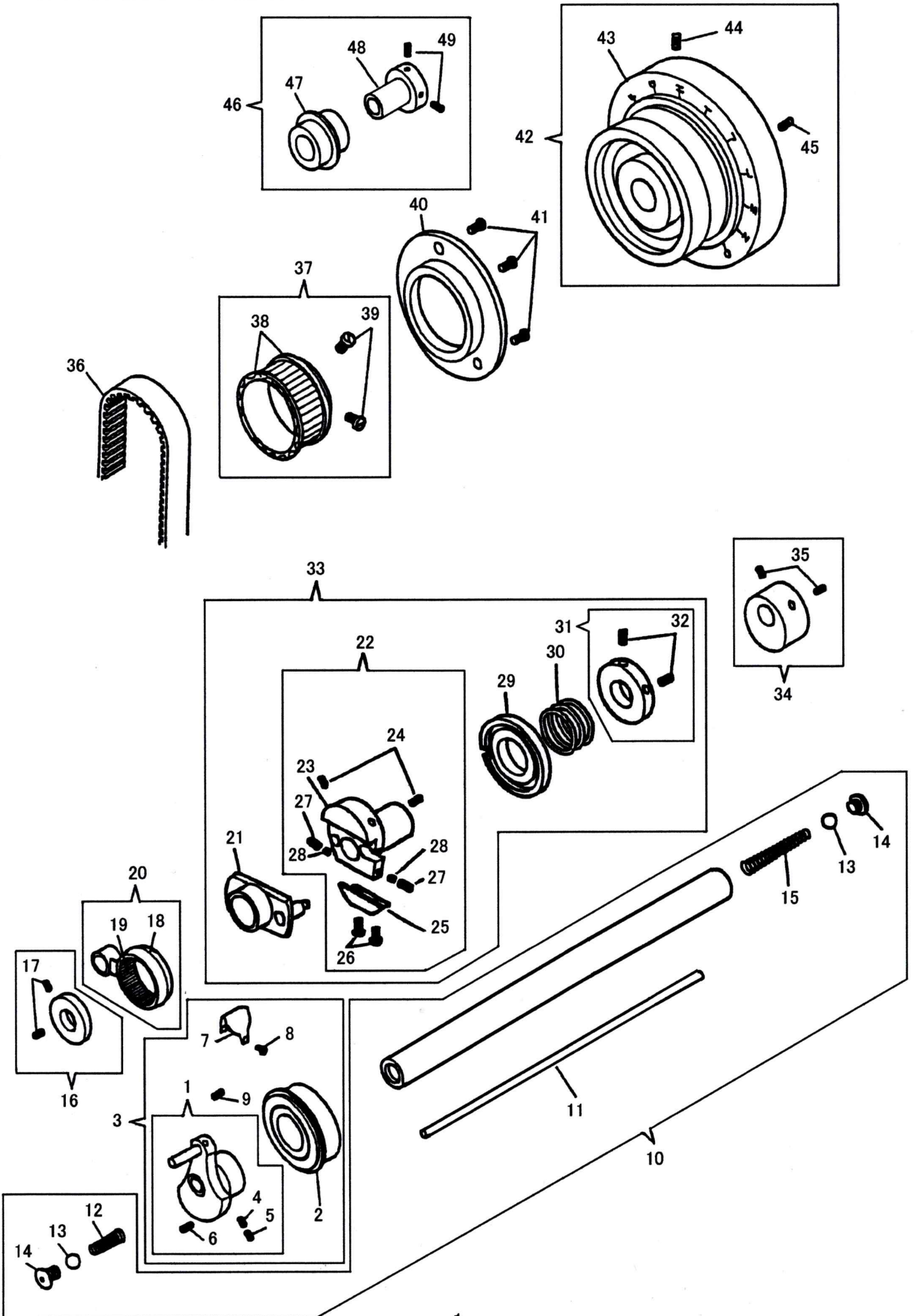


ILLUSTRATED PARTS LIST

MACHINE

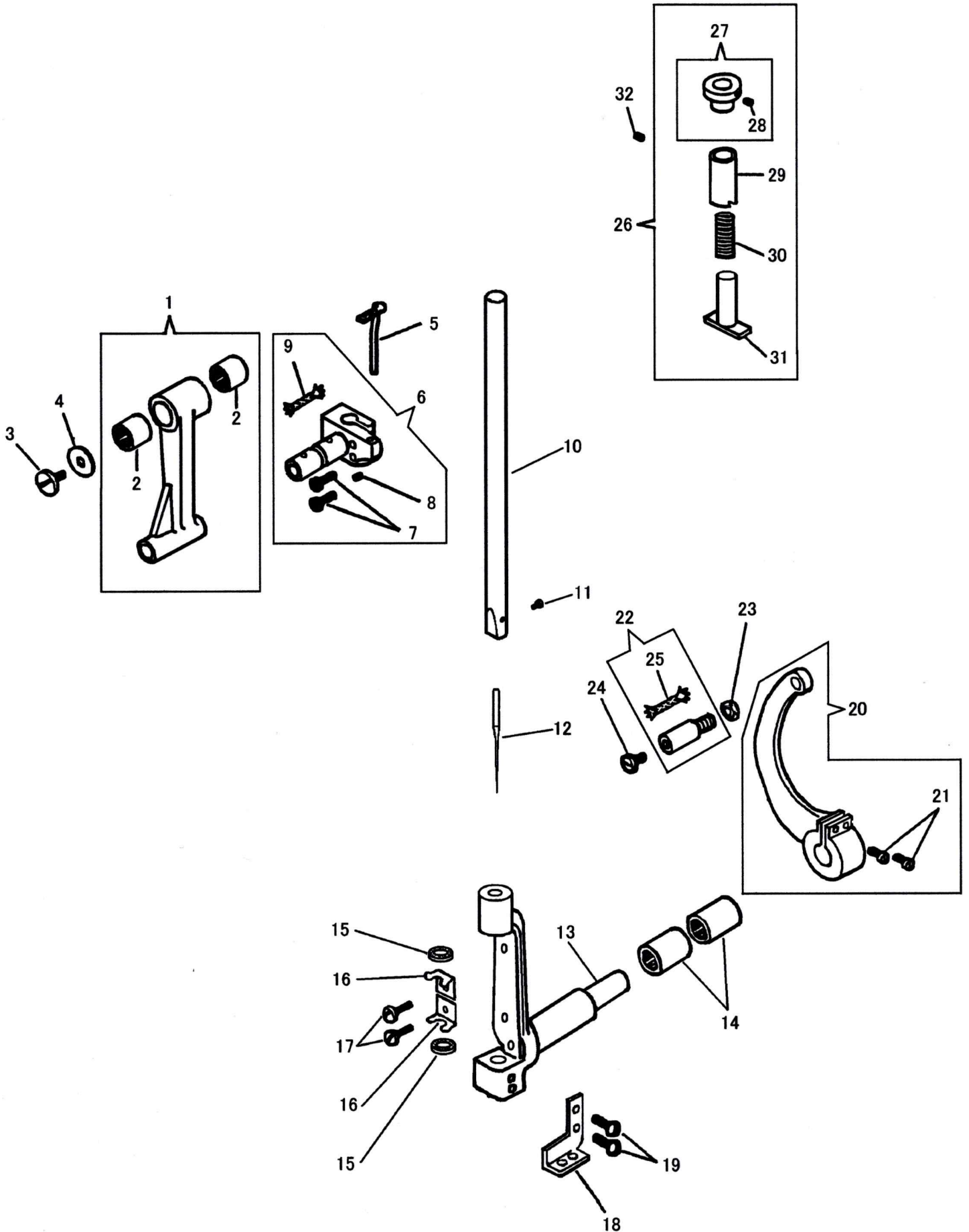
300U105B

UPPER SHAFT ASSEMBLY



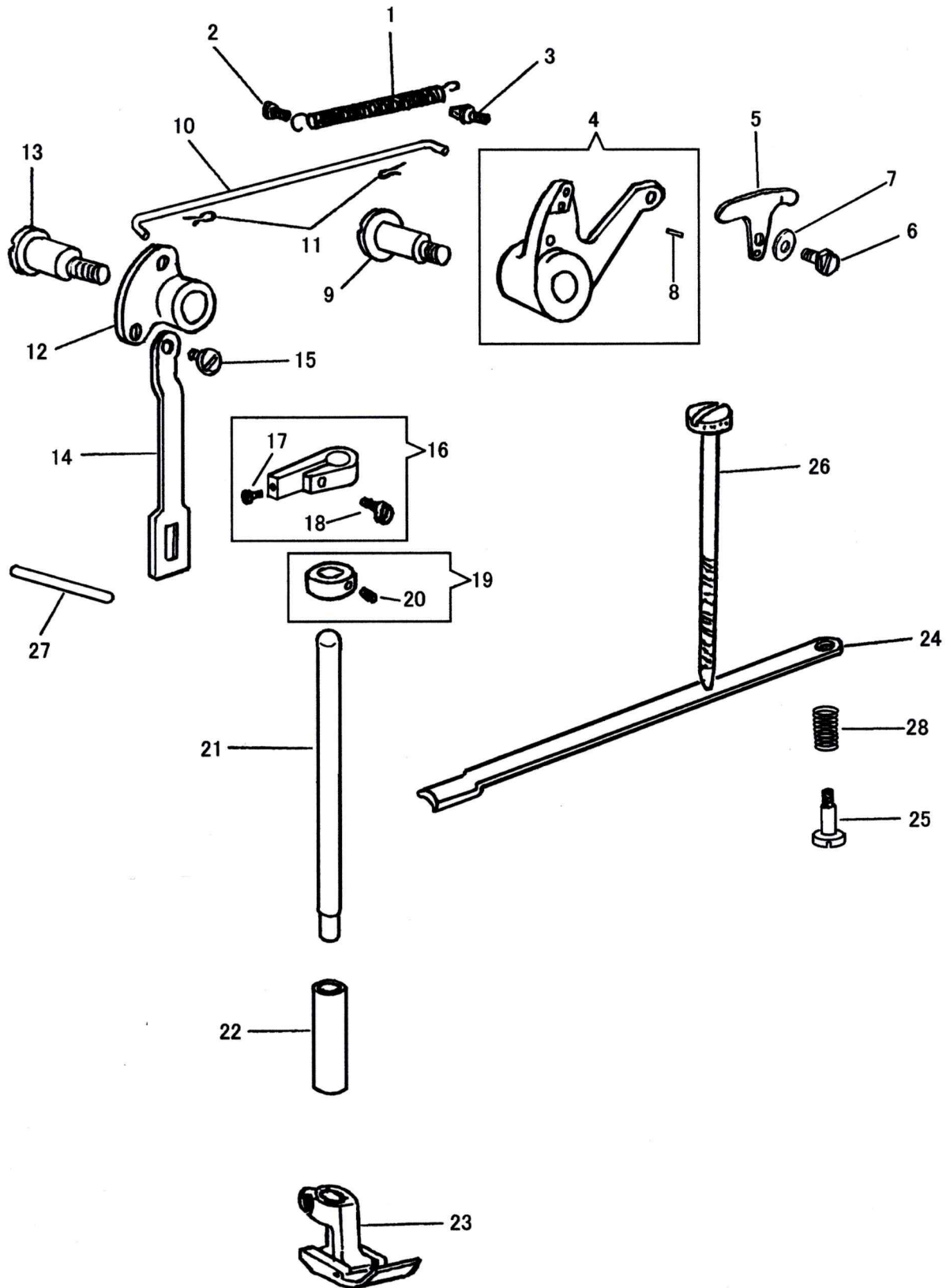
NO.	PART NO.	DESCRIPTION
1	K415133	NEEDLE BAR CRANK WITH K500272-833, K544358 AND K549024
2	K32848	ARM SHAFT BALL BEARING (FRONT)
3	K281209	NEEDLE BAR CRANK COMPLETE, NOS. K415133, K32848, K281258, KE0099 AND TWO K545205-451
4	K549024	NEEDLE BAR CRANK POSITION SCREW
5	K544358	NEEDLE BAR CRANK POSITION SCREW CHECK SCREW
6	K500272 -833	NEEDLE BAR CRANK SET SCREW
7	KE0099	NEEDLE BAR CRANK COVER
8	K545205 -451	NEEDLE BAR CRANK COVER SCREW (2)
9	K281258	NEEDLE BAR CRANK OIL PACKING (WICK)
10	K415128	ARM SHAFT WITH K268009, K268044, K268264. TWO EACH K268214 AND K414578
11	K268264	ARM SHAFT OIL CONTROL ROD (WOOD)
12	K268009	ARM SHAFT OIL STOP BALL SPRING (FRONT)
13	K268214	ARM SHAFT OIL STOP BALL 5/32 IN. DIA. (2)
14	K414578	ARM SHAFT OIL STOP BALL SCREW (2)
15	K268044	ARM SHAFT OIL STOP BALL SPRING (REAR)
16	K415308	NEEDLE BAR ROCK FRAME DRIVING ECCENTRIC SPACING COLLAR WITH TWO K414529
17	K414529	NEEDLE BAR ROCK FRAME DRIVING ECCENTRIC SPACING COLLAR SET SCREW (2)
18	K267608	NEEDLE BAR ROCK FRAME DRIVING CONNECTION
19	K271055	NEEDLE BAR ROCK FRAME DRIVING CONNECTION NEEDLE BEARING
20	K267609	NEEDLE BAR ROCK FRAME DRIVING CONNECTION K267608 WITH K271055
21	KE0004	NEEDLE BAR ROCK FRAME DRIVING ECCENTRIC
22	K415073	NEEDLE BAR ROCK FRAME DRIVING ECCENTRIC FLANGE K415074 WITH K267623 AND TWO EACH K241763, K414555, K414557 AND K374098
23	K415074	NEEDLE BAR ROCK FRAME DRIVING ECCENTRIC FLANGE
24	K414555	NEEDLE BAR ROCK FRAME DRIVING ECCENTRIC FLANGE SET SCREW (2)
25	K267623	NEEDLE BAR ROCK FRAME DRIVING ECCENTRIC FRICTION PLATE
26	K374098	NEEDLE BAR ROCK FRAME DRIVING ECCENTRIC FRICTION PLATE SCREW (2)
27	K414557	NEEDLE BAR ROCK FRAME DRIVING ECCENTRIC FRICTION PLATE SCREW SET SCREW (2)
28	K241763	NEEDLE BAR ROCK FRAME DRIVING ECCENTRIC FRICTION PLATE SCREW SET SCREW PACKING (BRASS) (2)
29	K268065	NEEDLE BAR ROCK FRAME DRIVING ECCENTRIC ADJUSTING DISC
30	K268066	NEEDLE BAR ROCK FRAME DRIVING ECCENTRIC ADJUSTING DISC SPRING
31	K412011	NEEDLE BAR ROCK FRAME DRIVING ECCENTRIC ADJUSTING DISC SPRING COLLAR WITH TWO K544325
32	K544325	NEEDLE BAR ROCK FRAME DRIVING ECCENTRIC ADJUSTING DISC SPRING COLLAR SET SCREW (2)
33	KE0003	NEEDLE BAR ROCK FRAME DRIVING ECCENTRIC COMPLETE, NOS. KE0004, K268065, K268066, K412011 AND K415073
34	K281256	COUNTERBALANCE WITH TWO K544208-005
35	K544208 -005	COUNTERBALANCE SET SCREW (2)
36	K268270	ARM SHAFT CONNECTION BELT (REINFORCED NEOPRENE)
37	K281290	ARM SHAFT CONNECTION BELT PULLEY WITH TWO EACH K414546 AND K202253
38	K202253	ARM SHAFT CONNECTION BELT PULLEY SPRING FLANGE (2)
39	K414546	ARM SHAFT CONNECTION BELT PULLEY SET SCREW (2)
40	K268004 -451	ARM SHAFT BALL BEARING (BACK) HOUSING
41	K544336	ARM SHAFT BALL BEARING (BACK) HOUSING SCREW (3)
42	K281296 -467	MACHINE PULLEY WITH K414525 AND K414526
43	K281297 -467	MACHINE PULLEY
44	K414525	MACHINE PULLEY SET SCREW
45	K414526	MACHINE PULLEY POSITION SCREW
46	K281294	ARM SHAFT THRUST COLLAR WITH K272142 AND TWO K544209-005
47	K272142	ARM SHAFT BALL BEARING (BACK)
48	K281295 -001	ARM SHAFT THRUST COLLAR
49	K544209 -005	ARM SHAFT THRUST COLLAR SET SCREW (2)

FRONT ASSEMBLY SEWING ARM



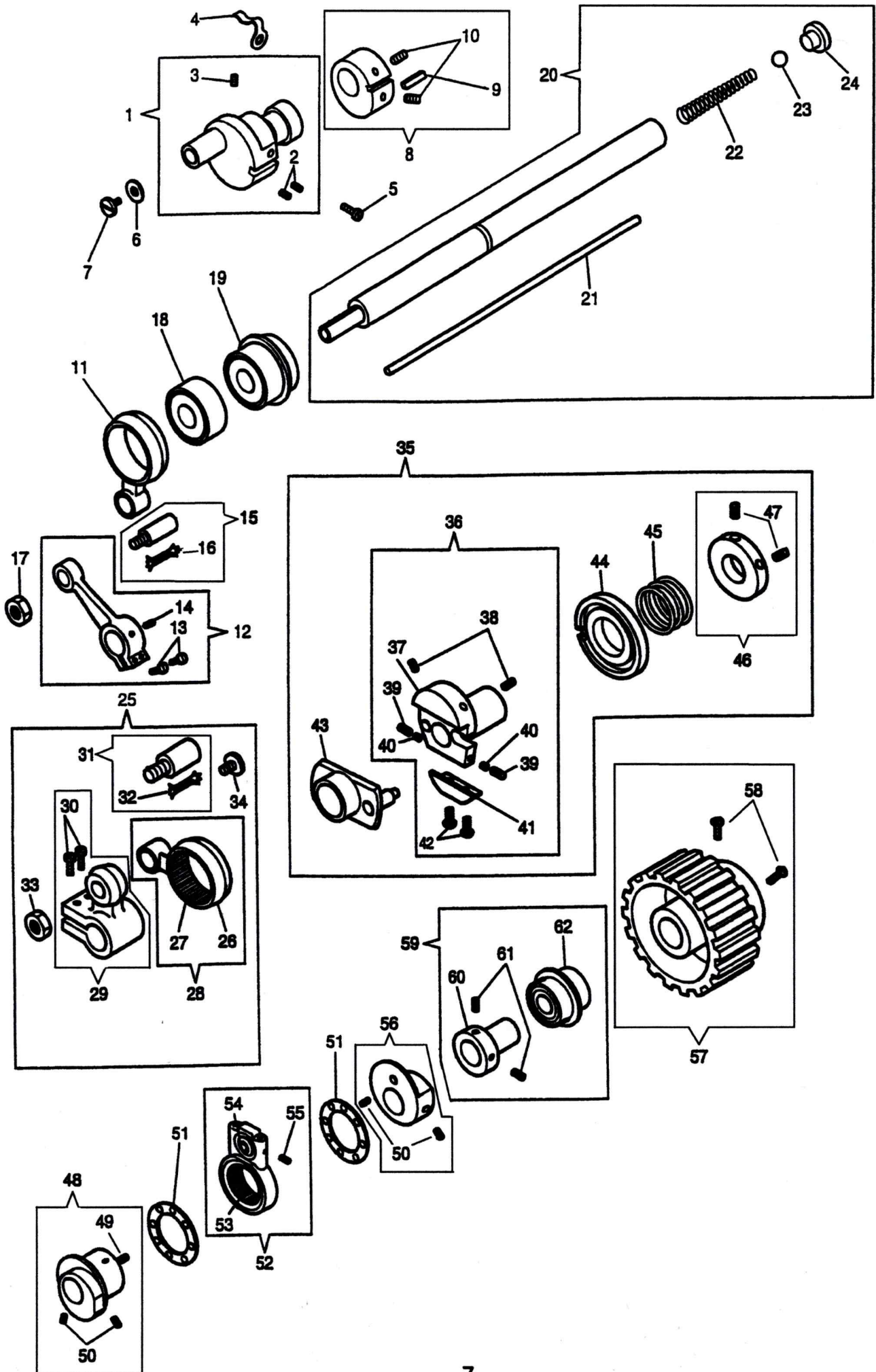
NO.	PART NO.	DESCRIPTION
1	K268056	NEEDLE BAR CONNECTING LINK WITH TWO K270266
2	K270266	NEEDLE BAR CONNECTING LINK NEEDLE BEARING (2)
3	K414517	NEEDLE BAR CONNECTING LINK CAP WASHER SCREW
4	K268139	NEEDLE BAR CONNECTING LINK CAP WASHER
5	K268512	NEEDLE THREAD GUIDE (ON NEEDLE BAR CONNECTING STUD)
6	K415053	NEEDLE BAR CONNECTING STUD WITH K202330, K414545 AND TWO K414511
7	K414511	NEEDLE BAR CONNECTING STUD PINCH SCREW (2)
8	K414545	NEEDLE THREAD GUIDE (ON NEEDLE BAR CONNECTING STUD) SET SCREW
9	K202330	NEEDLE BAR CONNECTING STUD OIL PACKING (WICK)
10	K281912	NEEDLE BAR
11	K414519	NEEDLE SET SCREW
12	KN3260-01 -22	NEEDLE (62X57) SIZE 22
13	K415393	NEEDLE BAR ROCK FRAME
14	K268029	NEEDLE BAR ROCK FRAME NEEDLE BEARING (2)
15	K268144	NEEDLE BAR OILING FELT (2)
16	K268278	NEEDLE BAR OILING FELT HOLDER (2)
17	K414522	NEEDLE BAR OILING FELT HOLDER SCREW (2)
18	K268219	NEEDLE BAR ROCK FRAME THREAD GUIDE
19	K414539	NEEDLE BAR ROCK FRAME THREAD GUIDE SCREW (2)
20	K415089 -451	NEEDLE BAR ROCK FRAME DRIVING ARM WITH TWO K414509
21	K414509	NEEDLE BAR ROCK FRAME DRIVING ARM PINCH SCREW (2)
22	K415091	NEEDLE BAR ROCK FRAME DRIVING CONNECTION HINGE STUD WITH K268258
23	K541197	NEEDLE BAR ROCK FRAME DRIVING CONNECTION HINGE STUD NUT
24	K545297	NEEDLE BAR ROCK FRAME DRIVING CONNECTION CAP SCREW
25	K268258	NEEDLE BAR ROCK FRAME DRIVING CONNECTION HINGE STUD OIL PACKING (WICK)
26	K415098	NEEDLE BAR ROCK FRAME REGULATING STUD COMPLETE, NOS. K214529, K415099, K268148 AND K268149
27	K415099	NEEDLE BAR ROCK FRAME REGULATING STUD CAP WITH K414528
28	K414528	NEEDLE BAR ROCK FRAME REGULATING STUD CAP SET SCREW
29	K268149	NEEDLE BAR ROCK FRAME REGULATING STUD SLEEVE
30	K214529	NEEDLE BAR ROCK FRAME REGULATING STUD SPRING
31	K268148	NEEDLE BAR ROCK FRAME REGULATING STUD
32	K414527	NEEDLE BAR ROCK FRAME REGULATING STUD SLEEVE SET SCREW

EXTERNAL PARTS SEWING ARM



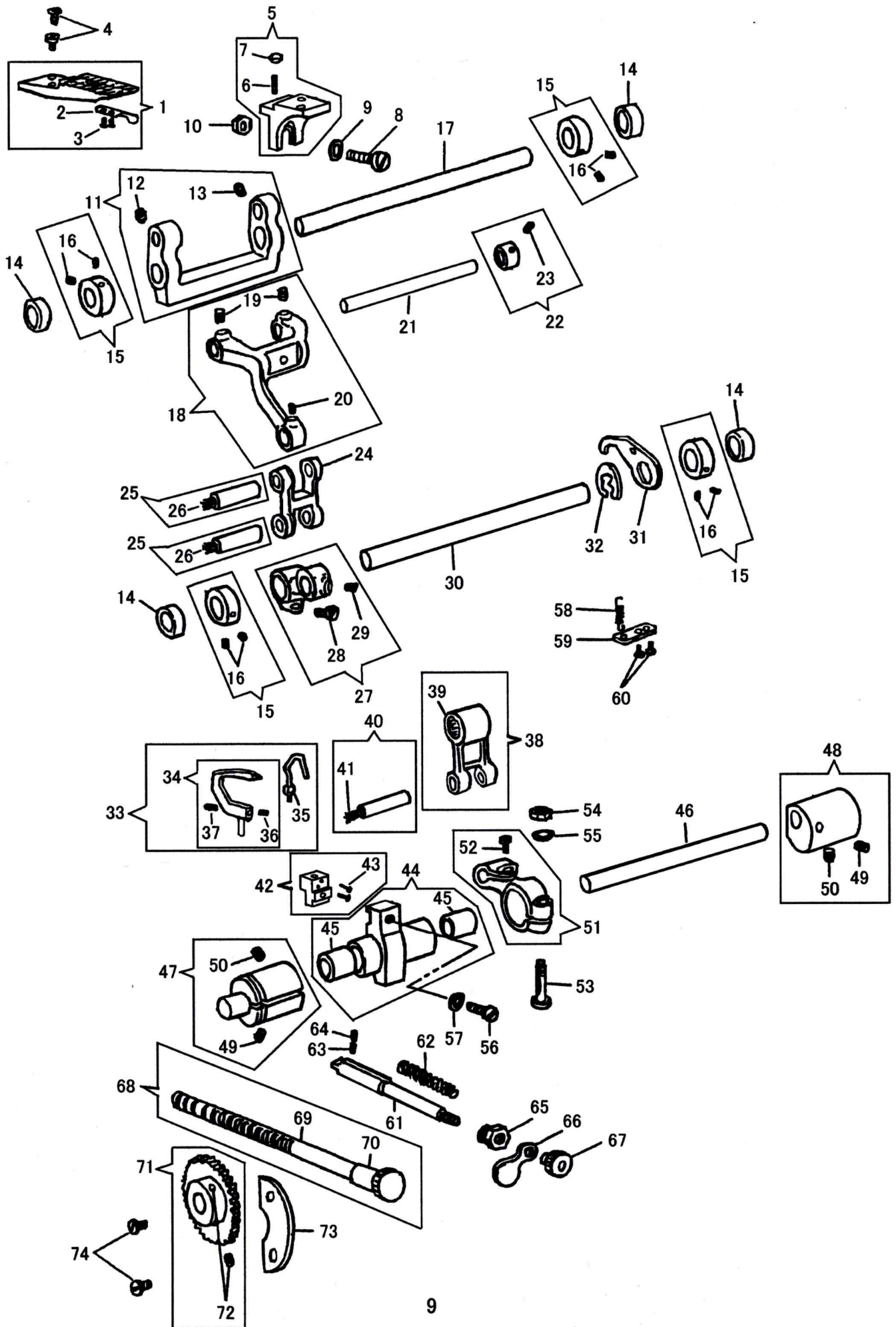
NO.	PART NO.	DESCRIPTION
1	K204348	FOOT LIFTER LEVER SPRING
2	K414555	FOOT LIFTER LEVER SPRING SCREW
3	K414570	FOOT LIFTER LEVER SPRING SCREW EYE
4	K415104 -451	FOOT LIFTER LEVER WITH K543850-001
5	K267707	NEEDLE THREAD TENSION RELEASING PLATE
6	K414531	NEEDLE THREAD TENSION RELEASING PLATE SCREW
7	K543804 -004	NEEDLE THREAD TENSION RELEASING PLATE SCREW WASHER
8	K543850 -001	NEEDLE THREAD TENSION RELEASING PLATE PIN
9	K201363	FOOT LIFTER LEVER HINGE SCREW
10	K268086	FOOT LIFTER LEVER ROD
11	K248423	FOOT LIFTER LEVER ROD COTTER PIN (2)
12	K415102 -451	FOOT LIFTER LEVER BELL CRANK
13	K414572	FOOT LIFTER LEVER BELL CRANK HINGE SCREW
14	K269616	FOOT LIFTER LIFTING LINK
15	K414568	FOOT LIFTER LIFTING LINK HINGE SCREW
16	K415057	PRESSER BAR GUIDE BRACKET WITH K414513 AND K414535
17	K414535	PRESSER BAR GUIDE BRACKET ADJUSTING SCREW
18	K414513	PRESSER BAR GUIDE BRACKET PINCH SCREW
19	K415055	PRESSER BAR STOP COLLAR WITH K414529
20	K414529	PRESSER BAR STOP COLLAR SET SCREW
21	K268172	PRESSER BAR
22	K268173	PRESSER BAR BUSHING
23	K268613	PRESSER FOOT COMPLETE
24	K268176	PRESSER BAR SPRING
25	K414562	PRESSER BAR SPRING SUPPORT SCREW
26	K414574	PRESSER BAR SPRING ADJUSTING SCREW
27	K415360	FOOT LIFTER LIFTING LINK STOP PIN
28	KE0254	PRESSER BAR SPRING CUSHION SPRING

LOWER SHAFT ASSEMBLY



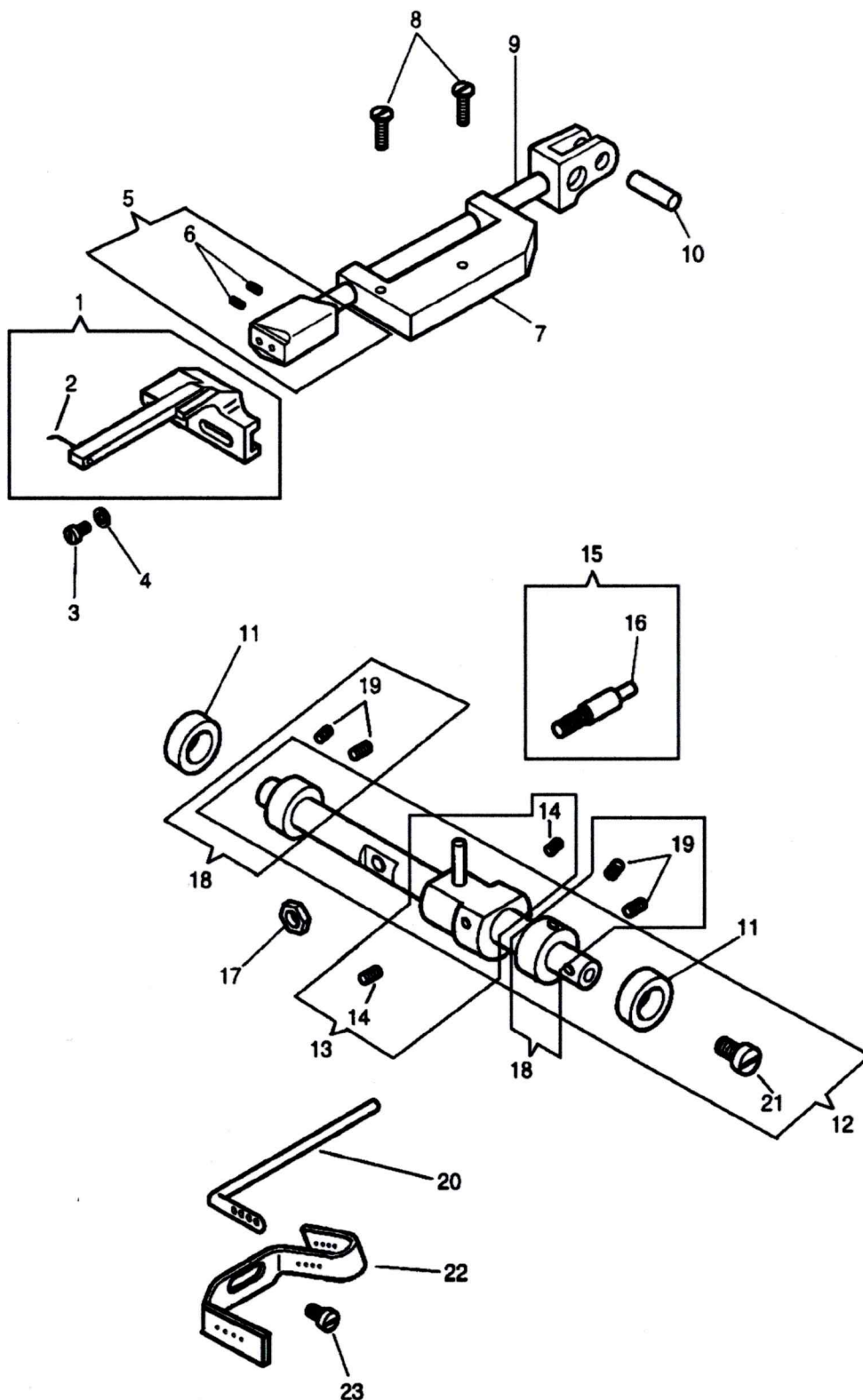
NO.	PART NO.	DESCRIPTION
1	K415176	LOOPER DRIVING CRANK WITH K500264-833 AND TWO K374099
2	K374099	LOOPER DRIVING CRANK POSITION SCREW (2)
3	K500264 -833	LOOPER DRIVING CRANK SET SCREW
4	K268102	LOOPER DRIVING CRANK OIL HOLE COVER
5	K414563	LOOPER DRIVING CRANK OIL HOLE COVER SCREW
6	K268139	LOOPER DRIVING CONNECTION WASHER
7	K544213 -001	LOOPER DRIVING CONNECTION WASHER SCREW
8	K415210	FEED LIFTING ECCENTRIC WITH K268077 AND TWO K544208-005
9	K268077	FEED LIFTING ECCENTRIC LUBRICATING PAD (WOOD)
10	K544208 -005	FEED LIFTING ECCENTRIC SET SCREW (2)
11	K268074	FEED LIFTING CONNECTION
12	K415206	FEED LIFTING ROCK SHAFT CRANK WITH K414549 AND TWO K414511
13	K414511	FEED LIFTING ROCK SHAFT CRANK PINCH SCREW (2)
14	K414549	FEED LIFTING ROCK SHAFT CRANK POSITION SCREW
15	K415091	FEED LIFTING CONNECTION HINGE STUD WITH K268258
16	K268258	FEED LIFTING CONNECTION HINGE STUD OIL PACKING (WICK)
17	K541197	FEED LIFTING CONNECTION HINGE STUD NUT
18	K281216	BED SHAFT BALL BEARING
19	K281224	BED SHAFT BALL BEARING
20	K281212	BED SHAFT WITH K268044, K268214, K268265 AND K414578
21	K268265	BED SHAFT OIL CONTROL ROD (WOOD)
22	K268044	BED SHAFT OIL STOP BALL SPRING
23	K268214	BED SHAFT OIL STOP BALL 5/32 IN. DIA.
24	K414578	BED SHAFT OIL STOP BALL SCREW
25	K415215	FEED DRIVING ROCK SHAFT CRANK K415213 WITH K267609, K415091, K541197 AND K545297
26	K267608	FEED DRIVING CONNECTION
27	K271055	FEED DRIVING CONNECTION NEEDLE BEARING
28	K267609	FEED DRIVING CONNECTION K267608 WITH K271055
29	K415213	FEED DRIVING ROCK SHAFT CRANK WITH TWO K414511
30	K414511	FEED DRIVING ROCK SHAFT CRANK PINCH SCREW (2)
31	K415091	FEED DRIVING CONNECTION HINGE STUD WITH K268258
32	K268258	FEED DRIVING CONNECTION HINGE STUD OIL PACKING (WICK)
33	K541197	FEED DRIVING CONNECTION HINGE STUD NUT
34	K545297	FEED DRIVING CONNECTION CAP SCREW
35	KE0003	FEED DRIVING ECCENTRIC COMPLETE, NOS. KE0004, K268065, K268066, K412011 AND K415073
36	K415073	FEED DRIVING ECCENTRIC FLANGE K415074 WITH K267623 AND TWO EACH K241763, K414555, K414557 AND K374098
37	K415074	FEED DRIVING ECCENTRIC FLANGE
38	K414555	FEED DRIVING ECCENTRIC FLANGE SET SCREW (2)
39	K414557	FEED DRIVING ECCENTRIC FRICTION PLATE SCREW SET SCREW (2)
40	K241763	FEED DRIVING ECCENTRIC FRICTION PLATE SCREW SET SCREW PACKING (BRASS) (2)
41	K267623	FEED DRIVING ECCENTRIC FRICTION PLATE
42	K374098	FEED DRIVING ECCENTRIC FRICTION PLATE SCREW (2)
43	KE0004	FEED DRIVING ECCENTRIC
44	K268065	FEED DRIVING ECCENTRIC ADJUSTING DISC
45	K268066	FEED DRIVING ECCENTRIC ADJUSTING DISC SPRING
46	K412011	FEED DRIVING ECCENTRIC ADJUSTING DISC SPRING COLLAR WITH TWO K544325
47	K544325	FEED DRIVING ECCENTRIC ADJUSTING DISC SPRING COLLAR SET SCREW (2)
48	K415187	SPREADER DRIVING ECCENTRIC WITH K543808-002 AND TWO K414528
49	K543808 -002	SPREADER DRIVING ECCENTRIC PIN
50	K414528	SPREADER DRIVING ECCENTRIC SET SCREW (2)
50	K414528	SPREADER DRIVING ECCENTRIC COUNTERBALANCE SET SCREW (2)
51	K268220	SPREADER DRIVING ECCENTRIC THRUST WASHER (2)
52	K281246	SPREADER DRIVING CONNECTION WITH K415368, K281248 AND K544201-001
53	K415368	SPREADER DRIVING CONNECTION NEEDLE BEARING
54	K281248	SPREADER DRIVING ROCK SHAFT SCREW STUD BALL ROLLER
55	K544203 -001	SPREADER DRIVING ROCK SHAFT SCREW STUD BALL ROLLER SET SCREW
56	K415190	SPREADER DRIVING ECCENTRIC COUNTERBALANCE WITH TWO K414528
57	K281292	BED SHAFT CONNECTION BELT PULLEY WITH TWO 414546
58	K414546	BED SHAFT CONNECTION BELT PULLEY SET SCREW (2)
59	K281294	BED SHAFT THRUST COLLAR WITH K272142 AND TWO K544209-005
60	K281295 -001	BED SHAFT THRUST COLLAR
61	K544209 -005	BED SHAFT THRUST COLLAR SET SCREW (2)
62	K272142	BED SHAFT THRUST COLLAR BALL BEARING

FRONT ASSEMBLY SEWING BED



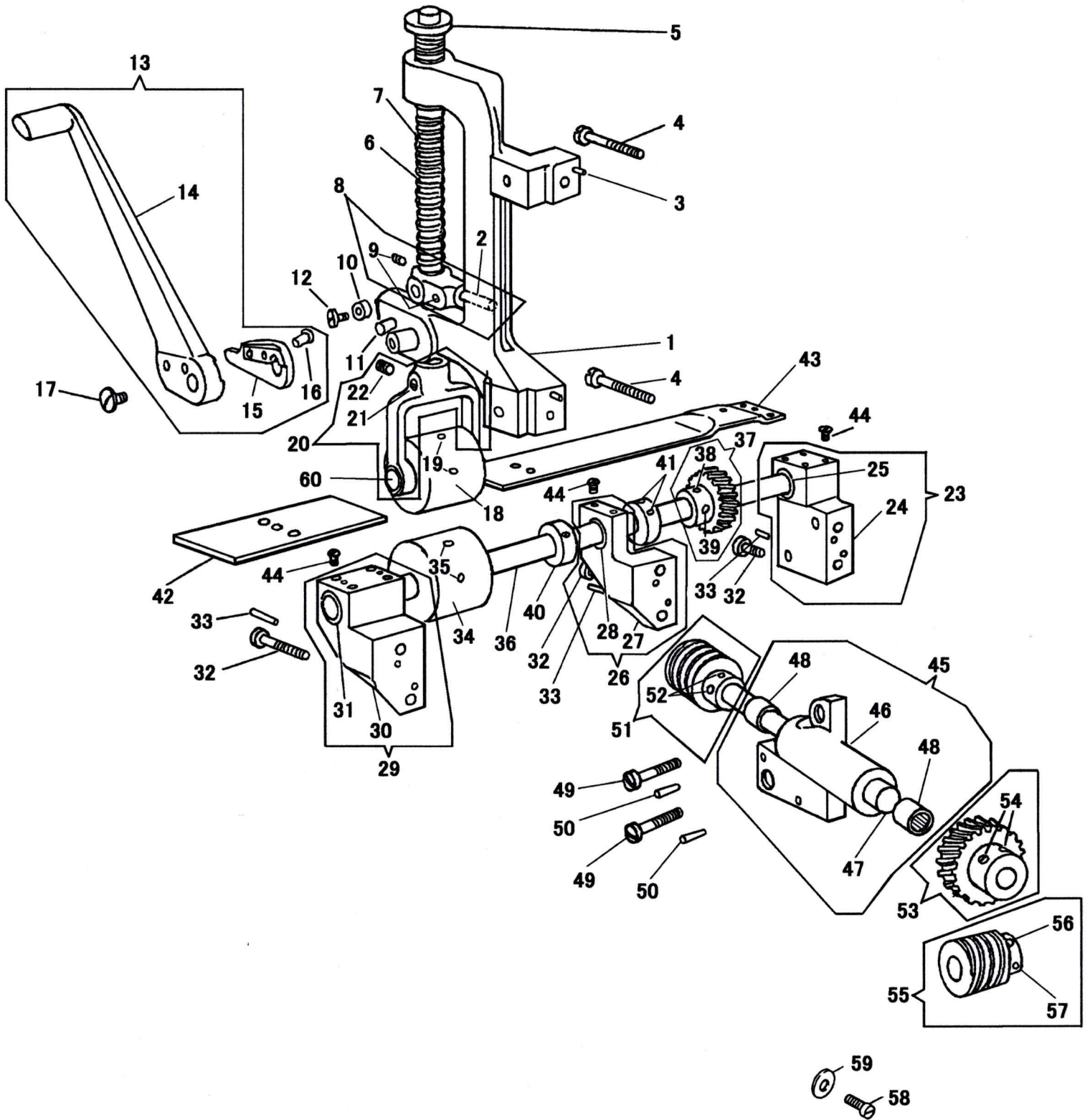
NO.	PART NO.	DESCRIPTION
1	K268618	FEED DOG WITH K268318 AND TWO K229
2	K268318	LOOP DEFLECTOR
3	K229	LOOP DEFLECTOR SCREW (2)
4	K414518	FEED DOG SCREW (2)
5	K415208	FEED DOG SHANK WITH K414559 AND K541200
6	K414559	FEED DOG SHANK ADJUSTING SCREW
7	K541200	FEED DOG SHANK ADJUSTING SCREW LOCK NUT
8	K414520	FEED DOG SHANK SCREW
9	K543804 -004	FEED DOG SHANK SCREW WASHER
10	K541166 -003	FEED DOG SHANK SCREW LOCK NUT
11	K415200	FEED DRIVING ROCK FRAME WITH K500264-833 AND K549024
12	K549024	FEED DRIVING ROCK FRAME POSITION SCREW
13	K500264 -833	FEED DRIVING ROCK FRAME SET SCREW
14	K415297	FEED DRIVING ROCK SHAFT BUSHING (2)
14	K415297	FEED LIFTING ROCK SHAFT BUSHING (2)
15	K415065	FEED DRIVING ROCK SHAFT COLLAR WITH TWO K504020 (2)
15	K415065	FEED LIFTING ROCK SHAFT COLLAR WITH TWO K504020 (2)
16	K504020	FEED DRIVING ROCK SHAFT COLLAR SET SCREW (4)
16	K504020	FEED LIFTING ROCK SHAFT COLLAR SET SCREW (4)
17	K268070	FEED DRIVING ROCK SHAFT
18	K415198	FEED BAR WITH K545213 AND TWO K544204-001
19	K544204 -001	FEED BAR SET SCREW (2)
20	K545213	FEED LIFTING LINK HINGE PIN SET SCREW
21	K268035	FEED BAR HINGE PIN
22	K415202	FEED BAR HINGE PIN COLLAR WITH K414529
23	K414529	FEED BAR HINGE PIN COLLAR SET SCREW
24	K268078	FEED LIFTING LINK
25	K268079	FEED LIFTING LINK HINGE PIN WITH K268258 (2)
26	K268258	FEED LIFTING LINK HINGE PIN OIL PACKING (WICK) (2)
27	K415204	FEED LIFTING CRANK WITH K350604 AND K545213
28	K350604	FEED LIFTING CRANK PINCH SCREW
29	K545213	FEED LIFTING LINK HINGE PIN SET SCREW
30	K267933	FEED LIFTING ROCK SHAFT
31	K268131	LOOPER THROW-OUT SAFETY LATCH
32	K543801 -012	LOOPER THROW-OUT SAFETY LATCH RETAINING RING
33	K281208	LOOPER AND NEEDLE GUARD COMPLETE, NOS. K281207 AND K268380
34	K268380	LOOPER WITH K141478 AND K141494
35	K281207	NEEDLE GUARD
36	K141494	NEEDLE GUARD SET SCREW (FRONT)
37	K141478	NEEDLE GUARD SET SCREW (BACK)
38	K281223	LOOPER DRIVING CONNECTION WITH K415500
39	K415500	LOOPER DRIVING CONNECTION BUSHING
40	K268208	LOOPER CARRIER CRANK HINGE PIN WITH K268258
41	K268258	LOOPER CARRIER CRANK HINGE PIN OIL PACKING (WICK)
42	K281274	LOOPER HOLDER WITH TWO K414558
43	K414558	LOOPER SET SCREW (2)
44	K281265	LOOPER CARRIER WITH TWO K415500
45	K415500	LOOPER CARRIER BUSHING (2)
46	K268093	LOOPER CARRIER SHAFT
47	K415168	LOOPER CARRIER SHAFT BUSHING (LEFT) WITH K500264-833 AND K549024
48	K415170	LOOPER CARRIER SHAFT BUSHING (RIGHT) WITH K500264-833 AND K549024
49	K549024	LOOPER CARRIER SHAFT BUSHING POSITION SCREW (2)
50	K500264 -833	LOOPER CARRIER SHAFT BUSHING SET SCREW (2)
51	K415174	LOOPER CARRIER CRANK WITH K414516
52	K414516	LOOPER CARRIER CRANK HINGE PIN PINCH SCREW
53	K415292	LOOPER CARRIER CRANK CLAMPING STUD
54	K541198	LOOPER CARRIER CRANK CLAMPING STUD NUT
55	K548459	LOOPER CARRIER CRANK CLAMPING STUD WASHER
56	K414750 -002	LOOPER HOLDER SCREW
57	K543804 -004	LOOPER HOLDER SCREW WASHER
58	K268132	LOOPER THROW-OUT SAFETY LATCH SPRING
59	K268133	LOOPER THROW-OUT SAFETY LATCH SPRING BRACKET
60	K545205 -451	LOOPER THROW-OUT SAFETY LATCH SPRING BRACKET SCREW (2)
61	K415182	LOOPER THROW-OUT GEAR LOCKING PLUNGER
62	K250265	LOOPER THROW-OUT GEAR LOCKING PLUNGER SPRING
63	K414564	LOOPER THROW-OUT GEAR LOCKING PLUNGER STOP SCREW
64	K414528	LOOPER THROW-OUT GEAR LOCKING PLUNGER STOP SCREW SET SCREW
65	K201477	LOOPER THROW-OUT GEAR LOCKING PLUNGER SCREW BUSHING
66	K268313	LOOPER THROW-OUT GEAR LOCKING PLUNGER HANDLE
67	K541453	LOOPER THROW-OUT GEAR LOCKING PLUNGER THUMB NUT
68	K415178	LOOPER THROW-OUT RACK ROD K415179 WITH K541451
69	K415179	LOOPER THROW-OUT RACK ROD
70	K541451	LOOPER THROW-OUT RACK ROD THUMB NUT
71	K415180	LOOPER THROW-OUT GEAR WITH TWO K500264-833
72	K500264 -833	LOOPER THROW-OUT GEAR SET SCREW (2)
73	K268096	LOOPER CARRIER SHAFT BUSHING (LEFT) POSITION PLATE
74	K414515	LOOPER CARRIER SHAFT BUSHING (LEFT) POSITION PLATE SCREW (2)

CROSS SHAFT IN SEWING BED



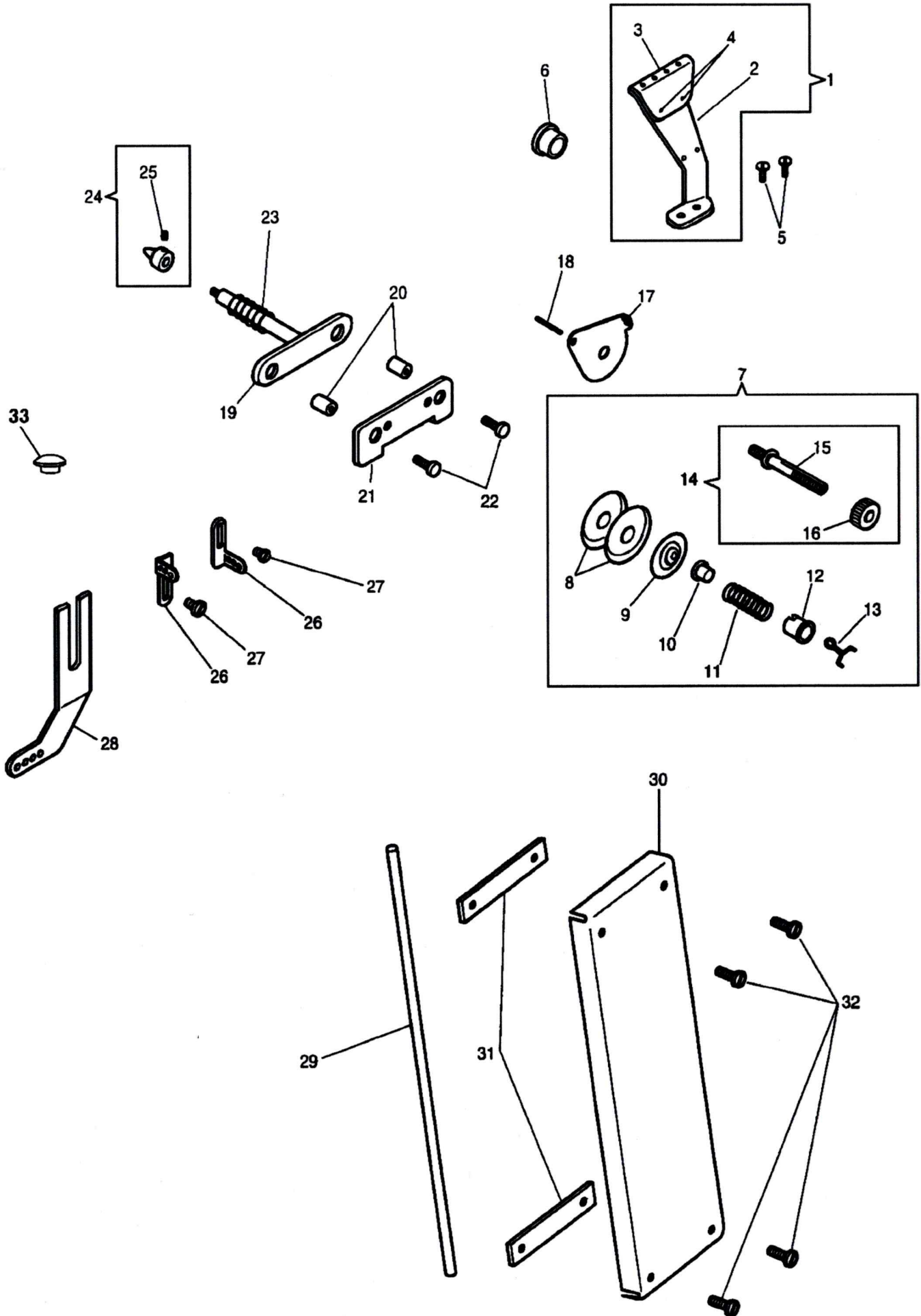
NO.	PART NO.	DESCRIPTION
1	K268638	SPREADER WITH K268162
2	K268162	SPREADER POINT
3	K414552	SPREADER SCREW
4	K547670	SPREADER SCREW WASHER
5	K415196	SPREADER HOLDER WITH TWO K414529
6	K414529	SPREADER HOLDER SET SCREW (2)
7	K268184	SPREADER BAR BRACKET
8	K414524	SPREADER BAR BRACKET SCREW (2)
9	K268499	SPREADER BAR
10	K268190	SPREADER DRIVING PIN
11	K415297	SPREADER DRIVING ROCK SHAFT BUSHING (2)
12	K415389	SPREADER DRIVING ROCK SHAFT WITH K504019
13	K415194	SPREADER DRIVING CRANK WITH TWO K544204-001
14	K544204 -001	SPREADER DRIVING CRANK SET SCREW (2)
15	K281249	SPREADER DRIVING ROCK SHAFT SCREW STUD WITH K32825
16	K32825	SPREADER DRIVING ROCK SHAFT SCREW STUD OIL PACKING (WICK)
17	K545424	SPREADER DRIVING ROCK SHAFT SCREW STUD NUT
18	K415065	SPREADER DRIVING ROCK SHAFT COLLAR WITH TWO K504020 (2)
19	K504020	SPREADER DRIVING ROCK SHAFT COLLAR SET SCREW (4)
20	K268052	LOOPER THREAD TAKE-UP ROD
21	K504019	LOOPER THREAD TAKE-UP ROD SET SCREW
22	K268051	LOOPER THREAD GUIDE (ON FRONT)
23	K414510	LOOPER THREAD GUIDE SCREW

PULLER FEED KIT



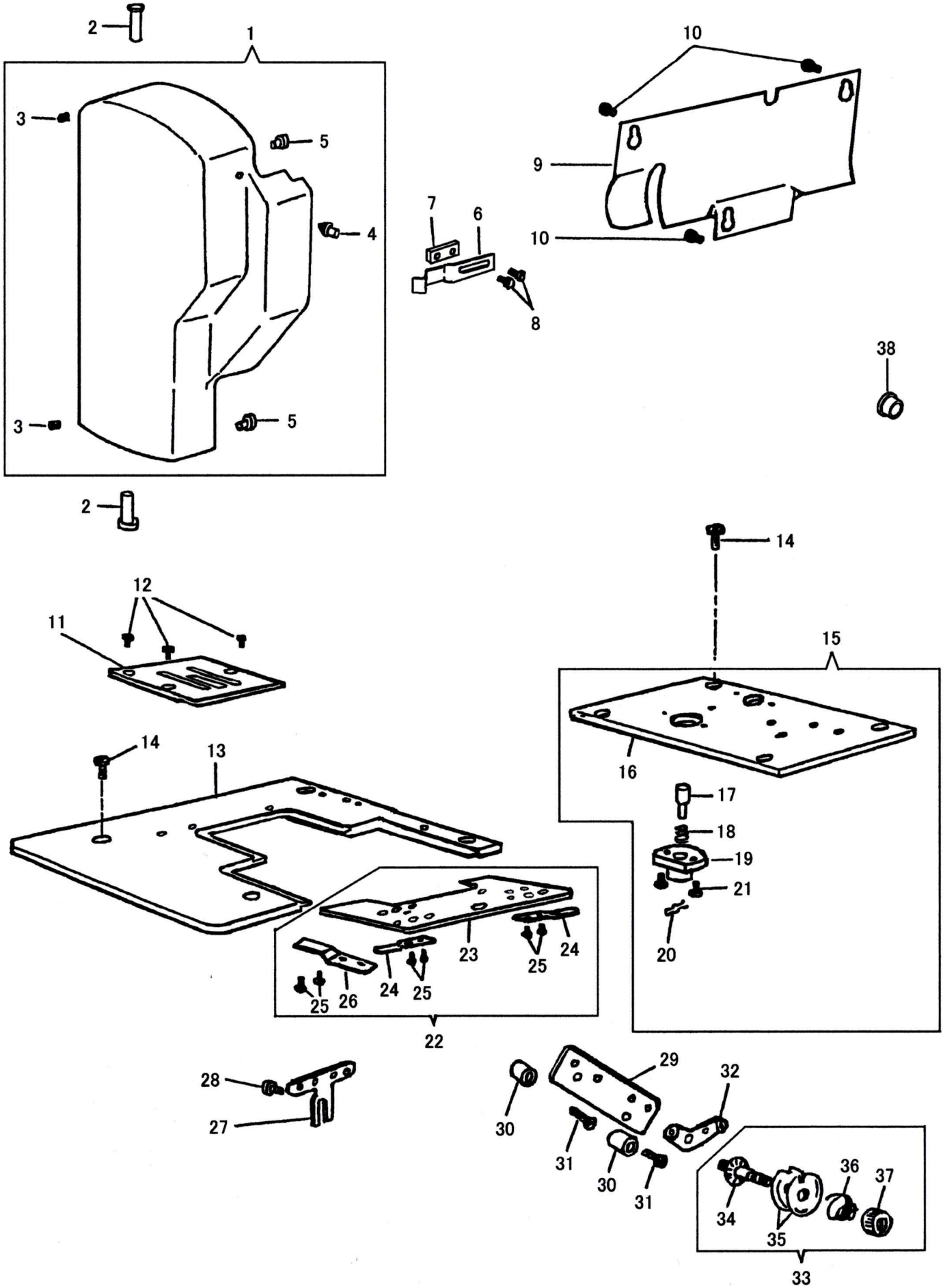
NO.	PART NO.	DESCRIPTION
1	K415216 -451	PULLER FEED ROLL (UPPER) BAR BRACKET WITH K268433
2	K268435	PULLER FEED ROLL (UPPER) BAR POSITION BRACKET STUD
3	K415296	PULLER FEED ROLL (UPPER) BAR BRACKET POSITION PIN (2)
4	K414547	PULLER FEED ROLL (UPPER) BAR BRACKET SCREW (2)
5	K414582	PULLER FEED ROLL (UPPER) BAR SPRING ADJUSTING THUMB SCREW
6	K268428	PULLER FEED ROLL (UPPER) BAR
7	K268436	PULLER FEED ROLL (UPPER) BAR SPRING
8	K415218 -451	PULLER FEED ROLL (UPPER) BAR POSITION BRACKET WITH K268435 AND TWO K500264-833
9	K500264 -833	PULLER FEED ROLL (UPPER) BAR POSITION BRACKET SET SCREW (2)
10	K201892	PULLER FEED ROLL (UPPER) BAR LIFTER ROLLER
11	K268433	PULLER FEED ROLL (UPPER) BAR LIFTER STOP PIN
12	K414561	PULLER FEED ROLL (UPPER) BAR LIFTER ROLLER SCREW STUD
13	K415220 -451	PULLER FEED ROLL (UPPER) BAR LIFTER K415221-451 WITH K268432 AND TWO K414507
14	K415221 -451	PULLER FEED ROLL (UPPER) BAR LIFTER
15	K268432	PULLER FEED ROLL (UPPER) BAR LIFTER CAM PLATE
16	K414507	PULLER FEED ROLL (UPPER) BAR LIFTER CAM PLATE SCREW (2)
17	K414542	PULLER FEED ROLL (UPPER) BAR LIFTER CAP SCREW
18	K131979	PULLER FEED ROLL (UPPER) WITH TWO K545237
19	K545237	PULLER FEED ROLL (UPPER) SCREW (2)
20	K415222 -451	PULLER FEED ROLL (UPPER) BRACKET WITH K544325 AND K500264-833
21	K500264 -833	PULLER FEED ROLL (UPPER) BRACKET SET SCREW
22	K544325	PULLER FEED ROLL (LOWER) POSITION SCREW
23	K415235 -451	BED HINGE CONNECTION BRACKET (RIGHT) K415236-451 WITH K557332
24	K415236 -451	BED HINGE CONNECTION BRACKET (RIGHT)
25	K557332	PULLER FEED ROLL (LOWER) SHAFT BUSHING
26	K415239 -451	PULLER FEED DRIVING SHAFT BRACKET K415240-451 WITH K557332
27	K415240 -451	PULLER FEED DRIVING SHAFT BRACKET
28	K557332	PULLER FEED ROLL (LOWER) SHAFT BUSHING
29	K415233 -451	BED HINGE CONNECTION BRACKET (LEFT) K415234-451 WITH K557332
30	K415234 -451	BED HINGE CONNECTION BRACKET (LEFT)
31	K557332	PULLER FEED ROLL (LOWER) SHAFT BUSHING
32	K414503	BED HINGE CONNECTION BRACKET SCREW (6)
33	K548514	BED HINGE CONNECTION BRACKET POSITION PIN (6)
34	K131979	PULLER FEED ROLL (LOWER) WITH TWO K545237
35	K545237	PULLER FEED ROLL (LOWER) SCREW (2)
36	K268465	PULLER FEED ROLL (LOWER) SHAFT
37	K269656	PULLER FEED ROLL (LOWER) SHAFT WORM GEAR WITH K500264-833 AND K549024
38	K549024	PULLER FEED ROLL (LOWER) SHAFT WORM GEAR POSITION SCREW
39	K500264 -833	PULLER FEED ROLL (LOWER) SHAFT WORM GEAR SET SCREW
40	K415237	PULLER FEED ROLL (LOWER) SHAFT COLLAR WITH TWO K544358 (2)
41	K544358	PULLER FEED ROLL (LOWER) SHAFT COLLAR SET SCREW (4)
42	KE0221	PULLER FEED COVER PLATE (LEFT)
43	KE0220	PULLER FEED COVER PLATE (RIGHT)
44	KE0224	PULLER FEED COVER PLATE SCREW (4)
45	K269623 -451	PULLER FEED CROSS SHAFT BRACKET K269622-451 WITH TWO K557332
46	K269622 -451	PULLER FEED CROSS SHAFT BRACKET
47	K281201	PULLER FEED CROSS SHAFT
48	K557332	PULLER FEED CROSS SHAFT BUSHING (2)
49	K414503	PULLER FEED CROSS SHAFT BRACKET SCREW (2)
50	K548514	PULLER FEED CROSS SHAFT BRACKET POSITION PIN (2)
51	K269655	PULLER FEED ROLL (LOWER) SHAFT WORM WITH TWO K544325
52	K544325	PULLER FEED ROLL (LOWER) SHAFT WORM SET SCREW (2)
53	K269625	PULLER FEED CROSS SHAFT WORM GEAR WITH TWO K500264-833
54	K500264 -833	PULLER FEED CROSS SHAFT WORM GEAR SET SCREW (2)
55	K269624	PULLER FEED CROSS SHAFT WORM WITH K544325 AND K544329
56	K544325	PULLER FEED CROSS SHAFT WORM SET SCREW
57	K544329	PULLER FEED CROSS SHAFT WORM POSITION SCREW
58	K544213 -002	PULLER FEED CROSS SHAFT WASHER SCREW (2)
59	K268139	PULLER FEED CROSS SHAFT WASHER (2)
60	K268438	PULLER FEED ROLL (UPPER) SHAFT

EXTERNAL PARTS SEWING ARM



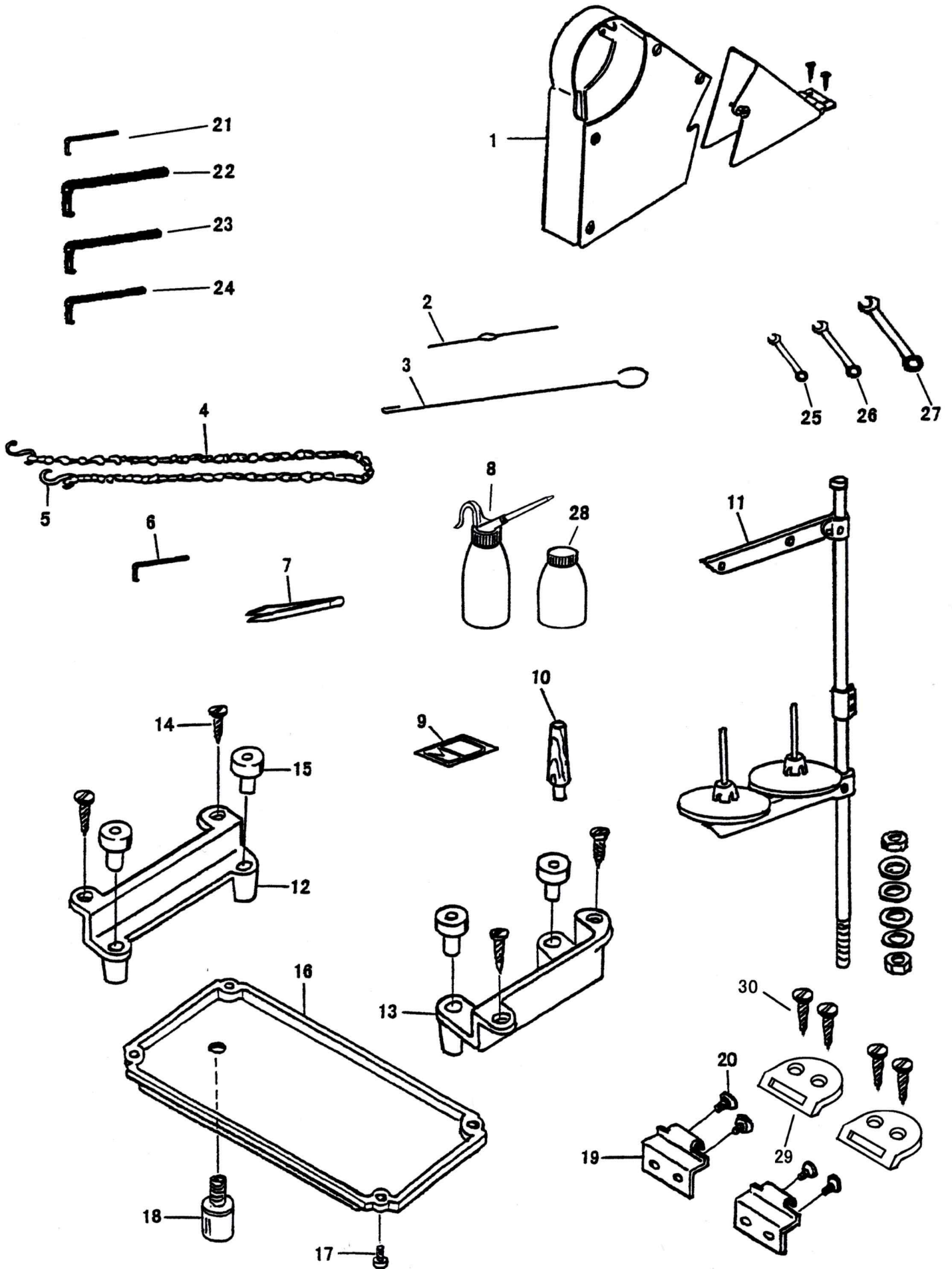
NO.	PART NO.	DESCRIPTION
1	K268506	LOOPER THREAD GUIDE (TOP OF ARM) BRACKET K268111 WITH K268505 AND TWO K50169
2	K268111	LOOPER THREAD GUIDE (TOP OF ARM) BRACKET
3	K268505	LOOPER THREAD GUIDE (TOP OF ARM)
4	K50169	LOOPER THREAD GUIDE (TOP OF ARM) BRACKET SCREW (2)
5	K414537	LOOPER THREAD GUIDE (TOP OF ARM) BRACKET SCREW (2)
6	K544875	ARM PLUG
7	K267971	NEEDLE THREAD TENSION COMPLETE, NOS. K32572, K59538, K59539, K131741, K143657, K143658 AND TWO K2102
8	K2102	NEEDLE THREAD TENSION DISC (2)
9	K32572	NEEDLE THREAD TENSION RELEASING DISC
10	K59538	NEEDLE THREAD TENSION SPRING BUSHING (BACK)
11	K131741	NEEDLE THREAD TENSION SPRING
12	K143657	NEEDLE THREAD TENSION SPRING BUSHING (FRONT)
13	K143658	NEEDLE THREAD TENSION THUMB NUT LOCKING SPRING
14	K59539	NEEDLE THREAD TENSION STUD K50326 WITH K51570
15	K50326	NEEDLE THREAD TENSION STUD
16	K51570	NEEDLE THREAD TENSION THUMB NUT
17	K54279	NEEDLE THREAD TENSION THREAD GUIDE (DOUBLE)
18	K226206	NEEDLE THREAD TENSION RELEASING PIN
19	K415357	NEEDLE THREAD TENSION RELEASER
20	K543853 -003	NEEDLE THREAD TENSION BRACKET SPACING COLLAR (2)
21	K268167	NEEDLE THREAD TENSION BRACKET
22	K544336	NEEDLE THREAD TENSION BRACKET SCREW (2)
23	K204365	NEEDLE THREAD TENSION RELEASER SPRING
24	K415252	NEEDLE THREAD TENSION RELEASER CAP WITH K504048
25	K504048	NEEDLE THREAD TENSION RELEASER CAP SET SCREW
26	K268513	NEEDLE THREAD GUIDE (ON SIDE OF ARM) (2)
27	K414514	NEEDLE THREAD GUIDE SCREW (2)
28	K268312	NEEDLE THREAD GUIDE (ON ARM HEAD)
29	K268123	LOOPER THREAD TUBE
30	K415342 -451	LOOPER THREAD TUBE COVER
31	K268500	LOOPER THREAD TUBE COVER CUSHION (2)
32	K414639	LOOPER THREAD TUBE COVER SCREW (4)
33	K502986	ARM PLUG (3)

EXTERNAL PARTS SEWING ARM



NO.	PART NO.	DESCRIPTION
1	K415012 -451	FACE PLATE WITH K268033 AND TWO EACH K228661 AND K545174-452
2	K268330	FACE PLATE HINGE STUD (2)
3	K545174 -452	FACE PLATE HINGE STUD SET SCREW (2)
4	K268033	FACE PLATE LOCK STUD
5	K228661	FACE PLATE CUSHION (NEOPRENE) (2)
6	K268032	FACE PLATE LOCK SPRING
7	K415016	FACE PLATE LOCK SPRING PLATE
8	K414534	FACE PLATE LOCK SPRING SCREW (2)
9	K268010 -451	ARM SIDE COVER
10	K545246 -452	ARM SIDE COVER SCREW (3)
11	K268614	THROAT PLATE
12	K414518	THROAT PLATE SCREW (3)
13	K415022 -451	BED PLATE (LEFT)
14	K414508	BED PLATE SCREW (8)
15	K415034 -451	BED PLATE (RIGHT) COMPLETE
16	K415035 -451	BED PLATE (RIGHT)
17	K268081	FEED REGULATING STUD
18	K270026	FEED REGULATING STUD SPRING
19	KE0075	FEED REGULATING STUD SOCKET
20	K240245	FEED REGULATING STUD RETAINING SPRING
21	K545249 -452	FEED REGULATING STUD SOCKET SCREW (2)
22	K415020	BED PLATE SLIDE COMPLETE, NOS. K415021, K267970 WITH TWO K268022 AND SIX K545086
23	K415021	BED PLATE SLIDE
24	K268022	BED PLATE SLIDE SPRING (2)
25	K545086	BED PLATE SLIDE SPRING SCREW (6)
26	K267970	BED PLATE SLIDE SPRING (LEFT UPPER)
27	K268373	LOOPER THREAD GUIDE (ON BED AT LOOPER)
28	K414556	LOOPER THREAD GUIDE (ON BED AT LOOPER) SCREW
29	K415255	LOOPER THREAD TENSION BRACKET
30	K543853 -003	LOOPER THREAD TENSION BRACKET SPACING COLLAR (2)
31	K414532	LOOPER THREAD TENSION BRACKET SCREW (2)
32	K268333	LOOPER THREAD TENSION THREAD GUIDE
33	K415294	LOOPER THREAD TENSION COMPLETE, NOS. K10148, K415291, K541452 AND TWO K412203
34	K415291	LOOPER THREAD TENSION STUD
35	K412203	LOOPER THREAD TENSION DISC (2)
36	K10148	LOOPER THREAD TENSION SPRING
37	K541452	LOOPER THREAD TENSION THUMB NUT
38	KE0357	ARM PLUG

ACCESSORIES



NO.	PART NO.	DESCRIPTION
1	K415433 -452	BELT GUARD COMPLETE
2	K268340	LOOPER THREADING WIRE
3	K415377	THREAD WIRE
4	K232365	FOOT LIFTER TREADLE CHAIN (41-1/2 INCHES LONG)
5	K202784	FOOT LIFTER TREADLE CHAIN HOOK (2)
6	K21887	WRENCH
7	K543162	TWEEZERS
8	KE0053	OILER
9	KN3260-01 -22	NEEDLE (62X57) SIZE 22 (5)
10	K410186	MACHINE REST PIN
11	K376392 -453	THREAD UNWINDER COMPLETE
12	K228733 -451	MACHINE REST (LEFT)
13	K228734 -451	MACHINE REST (RIGHT)
14	K414583	WOOD SCREW (FOR MACHINE REST) (4)
15	K228444	MACHINE CUSHION (NEOPRENE) (4)
16	K228731 -451	DRIP PAN
17	K545302	DRIP PAN SCREW (4)
18	K167448	OIL DRAIN JAR
19	K265307	BED HINGE CONNECTION (2)
20	K544381	BED HINGE CONNECTION SCREW (4)
21	KE0091	WRENCH 3mm
22	KE0092	WRENCH 4mm
23	KE0093	WRENCH 3/16"
24	KE0094	WRENCH 3/32"
25	KE0095	SPANNER 8mm
26	KE0096	SPANNER 9mm
27	KE0097	SPANNER 12mm
28	KE0117	BOTTLE WITH OIL (100cc)
29	KE0081	BED HINGE PLATE (2)
30	K414583	WOOD SCREW (FOR BED HINGE PLATE) (4)

NUMERICAL PARTS LIST

PART NO.	DESCRIPTION	PAGE	NO.
K229	LOOP DEFLECTOR SCREW (2)	10	3
K2102	NEEDLE THREAD TENSION DISC (2)	16	8
K10148	LOOPER THREAD TENSION SPRING	18	36
K21887	WRENCH	20	6
K32572	NEEDLE THREAD TENSION RELEASING DISC	16	9
K32825	SPREADER DRIVING ROCK SHAFT SCREW STUD OIL PACKING (WICK)	12	16
K32848	ARM SHAFT BALL BEARING (FRONT)	2	2
K50169	LOOPER THREAD GUIDE (TOP OF ARM) BRACKET SCREW (2)	16	4
K50326	NEEDLE THREAD TENSION STUD	16	15
K51570	NEEDLE THREAD TENSION THUMB NUT	16	16
K54279	NEEDLE THREAD TENSION THREAD GUIDE (DOUBLE)	16	17
K59538	NEEDLE THREAD TENSION SPRING BUSHING (BACK)	16	10
K59539	NEEDLE THREAD TENSION STUD K50326 WITH K51570	16	14
K131741	NEEDLE THREAD TENSION SPRING	16	11
K131979	PULLER FEED ROLL (UPPER) WITH TWO K545237	14	18
K131979	PULLER FEED ROLL (LOWER) WITH TWO K545237	14	34
K141478	NEEDLE GUARD SET SCREW (BACK)	10	37
K141494	NEEDLE GUARD SET SCREW (FRONT)	10	36
K143657	NEEDLE THREAD TENSION SPRING BUSHING (FRONT)	16	12
K143658	NEEDLE THREAD TENSION THUMB NUT LOCKING SPRING	16	13
K167448	OIL DRAIN JAR	20	18
K201363	FOOT LIFTER LEVER HINGE SCREW	6	9
K201477	LOOPER THROW-OUT GEAR LOCKING PLUNGER SCREW BUSHING	10	65
K201892	PULLER FEED ROLL (UPPER) BAR LIFTER ROLLER	14	10
K202253	ARM SHAFT CONNECTION BELT PULLEY SPRING FLANGE (2)	2	38
K202330	NEEDLE BAR CONNECTING STUD OIL PACKING (WICK)	4	9
K202784	FOOT LIFTER TREADLE CHAIN HOOK (2)	20	5
K204348	FOOT LIFTER LEVER SPRING	6	1
K204365	NEEDLE THREAD TENSION RELEASER SPRING	16	23
K214529	NEEDLE BAR ROCK FRAME REGULATING STUD SPRING	4	30
K226206	NEEDLE THREAD TENSION RELEASING PIN	16	18
K228444	MACHINE CUSHION (NEOPRENE) (4)	20	15
K228661	FACE PLATE CUSHION (NEOPRENE) (2)	18	5
K228731 -451	DRIP PAN	20	16
K228733 -451	MACHINE REST (LEFT)	20	12
K228734 -451	MACHINE REST (RIGHT)	20	13
K232365	FOOT LIFTER TREADLE CHAIN (41-1/2 INCHES LONG)	20	4
K240245	FEED REGULATING STUD RETAINING SPRING	18	20
K241763	NEEDLE BAR ROCK FRAME DRIVING ECCENTRIC FRICTION PLATE SCREW SET SCREW PACKING (BRASS) (2)	2	28
K241763	FEED DRIVING ECCENTRIC FRICTION PLATE SCREW SET SCREW PACKING (BRASS) (2)	8	40
K248423	FOOT LIFTER LEVER ROD COTTER PIN (2)	6	11
K250265	LOOPER THROW-OUT GEAR LOCKING PLUNGER SPRING	10	62
K265307	BED HINGE CONNECTION (2)	20	19
K267608	NEEDLE BAR ROCK FRAME DRIVING CONNECTION	2	18
K267608	FEED DRIVING CONNECTION	8	26
K267609	NEEDLE BAR ROCK FRAME DRIVING CONNECTION K267608 WITH K271055	2	20
K267609	FEED DRIVING CONNECTION K267608 WITH K271055	8	28
K267623	NEEDLE BAR ROCK FRAME DRIVING ECCENTRIC FRICTION PLATE	2	25
K267623	FEED DRIVING ECCENTRIC FRICTION PLATE	8	41
K267707	NEEDLE THREAD TENSION RELEASING PLATE	6	5
K267933	FEED LIFTING ROCK SHAFT	10	30
K267970	BED PLATE SLIDE SPRING (LEFT UPPER)	18	26
K267971	NEEDLE THREAD TENSION COMPLETE, NOS. K32572, K59538, K59539, K131741, K143657, K143658 AND TWO K2102	16	7
K268004 -451	ARM SHAFT BALL BEARING (BACK) HOUSING	2	40
K268009	ARM SHAFT OIL STOP BALL SPRING (FRONT)	2	12
K268010 -451	ARM SIDE COVER	18	9
K268022	BED PLATE SLIDE SPRING (2)	18	24
K268029	NEEDLE BAR ROCK FRAME NEEDLE BEARING (2)	4	14
K268032	FACE PLATE LOCK SPRING	18	6
K268033	FACE PLATE LOCK STUD	18	4
K268035	FEED BAR HINGE PIN	10	21
K268044	ARM SHAFT OIL STOP BALL SPRING (REAR)	2	15
K268044	BED SHAFT OIL STOP BALL SPRING	8	22
K268051	LOOPER THREAD GUIDE (ON FRONT)	12	22
K268052	LOOPER THREAD TAKE-UP ROD	12	20
K268056	NEEDLE BAR CONNECTING LINK WITH TWO K270266	4	1
K268065	NEEDLE BAR ROCK FRAME DRIVING ECCENTRIC ADJUSTING DISC	2	29
K268065	FEED DRIVING ECCENTRIC ADJUSTING DISC	8	44
K268066	NEEDLE BAR ROCK FRAME DRIVING ECCENTRIC ADJUSTING DISC SPRING	2	30
K268066	FEED DRIVING ECCENTRIC ADJUSTING DISC SPRING	8	45
K268070	FEED DRIVING ROCK SHAFT	10	17
K268074	FEED LIFTING CONNECTION	8	11
K268077	FEED LIFTING ECCENTRIC LUBRICATING PAD (WOOD)	8	9
K268078	FEED LIFTING LINK	10	24

PART NO.	DESCRIPTION	PAGE	NO.
K268079	FEED LIFTING LINK HINGE PIN WITH K268258 (2)	10	25
K268081	FEED REGULATING STUD	18	17
K268086	FOOT LIFTER LEVER ROD	6	10
K268093	LOOPER CARRIER SHAFT	10	46
K268096	LOOPER CARRIER SHAFT BUSHING (LEFT) POSITION PLATE	10	73
K268102	LOOPER DRIVING CRANK OIL HOLE COVER	8	4
K268111	LOOPER THREAD GUIDE (TOP OF ARM) BRACKET	16	2
K268123	LOOPER THREAD TUBE	16	29
K268131	LOOPER THROW-OUT SAFETY LATCH	10	31
K268132	LOOPER THROW-OUT SAFETY LATCH SPRING	10	58
K268133	LOOPER THROW-OUT SAFETY LATCH SPRING BRACKET	10	59
K268139	NEEDLE BAR CONNECTING LINK CAP WASHER	4	4
K268139	LOOPER DRIVING CONNECTION WASHER	8	6
K268139	PULLER FEED CROSS SHAFT WASHER (2)	14	59
K268144	NEEDLE BAR OILING FELT (2)	4	15
K268148	NEEDLE BAR ROCK FRAME REGULATING STUD	4	31
K268149	NEEDLE BAR ROCK FRAME REGULATING STUD SLEEVE	4	29
K268162	SPREADER POINT	12	2
K268167	NEEDLE THREAD TENSION BRACKET	16	21
K268172	PRESSER BAR	6	21
K268173	PRESSER BAR BUSHING	6	22
K268176	PRESSER BAR SPRING	6	24
K268184	SPREADER BAR BRACKET	12	7
K268190	SPREADER DRIVING PIN	12	10
K268208	LOOPER CARRIER CRANK HINGE PIN WITH K268258	10	40
K268214	ARM SHAFT OIL STOP BALL 5/32 IN. DIA. (2)	2	13
K268214	BED SHAFT OIL STOP BALL 5/32 IN. DIA.	8	23
K268219	NEEDLE BAR ROCK FRAME THREAD GUIDE (1/4")	4	18
K268220	SPREADER DRIVING ECCENTRIC THRUST WASHER (2)	8	51
K268258	NEEDLE BAR ROCK FRAME DRIVING CONNECTION HINGE STUD OIL PACKING (WICK)	4	25
K268258	FEED LIFTING CONNECTION HINGE STUD OIL PACKING (WICK)	8	16
K268258	FEED DRIVING CONNECTION HINGE STUD OIL PACKING (WICK)	8	32
K268258	FEED LIFTING LINK HINGE PIN OIL PACKING (WICK) (2)	10	26
K268258	LOOPER CARRIER CRANK HINGE PIN OIL PACKING (WICK)	10	41
K268264	ARM SHAFT OIL CONTROL ROD (WOOD)	2	11
K268265	BED SHAFT OIL CONTROL ROD (WOOD)	8	21
K268270	ARM SHAFT CONNECTION BELT (REINFORCED NEOPRENE)	2	36
K268278	NEEDLE BAR OILING FELT HOLDER (2)	4	16
K268312	NEEDLE THREAD GUIDE (ON ARM HEAD)	16	28
K268313	LOOPER THROW-OUT GEAR LOCKING PLUNGER HANDLE	10	66
K268318	LOOP DEFLECTOR	10	2
K268330	FACE PLATE HINGE STUD (2)	18	2
K268333	LOOPER THREAD TENSION THREAD GUIDE	18	32
K268340	LOOPER THREADING WIRE	20	2
K268373	LOOPER THREAD GUIDE (ON BED AT LOOPER)	18	27
K268380	LOOPER WITH K141478 AND K141494	10	34
K268428	PULLER FEED ROLL (UPPER) BAR	14	6
K268432	PULLER FEED ROLL (UPPER) BAR LIFTER CAM PLATE	14	15
K268433	PULLER FEED ROLL (UPPER) BAR LIFTER STOP PIN	14	11
K268435	PULLER FEED ROLL (UPPER) BAR POSITION BRACKET STUD	14	2
K268436	PULLER FEED ROLL (UPPER) BAR SPRING	14	7
K268438	PULLER FEED ROLL (UPPER) SHAFT	14	60
K268465	PULLER FEED ROLL (LOWER) SHAFT	14	36
K268499	SPREADER BAR	12	9
K268500	LOOPER THREAD TUBE COVER CUSHION (2)	16	31
K268505	LOOPER THREAD GUIDE (TOP OF ARM)	16	3
K268506	LOOPER THREAD GUIDE (TOP OF ARM) BRACKET K268111 WITH K268505 AND TWO K50169	16	1
K268512	NEEDLE THREAD GUIDE (ON NEEDLE BAR CONNECTING STUD)	4	5
K268513	NEEDLE THREAD GUIDE (ON SIDE OF ARM) (2)	16	26
K268613	PRESSER FOOT COMPLETE	6	23
K268614	THROAT PLATE	18	11
K269616	FOOT LIFTER LIFTING LINK	6	14
K268618	FEED DOG WITH K268318 AND TWO K229	10	1
K269622 -451	PULLER FEED CROSS SHAFT BRACKET	14	46
K269623 -451	PULLER FEED CROSS SHAFT BRACKET K269622-451 WITH TWO K557332	14	45
K269624	PULLER FEED CROSS SHAFT WORM WITH K544325 AND K544329	14	55
K269625	PULLER FEED CROSS SHAFT WORM GEAR WITH TWO K500264-833	14	53
K268638	SPREADER WITH K268162	12	1
K269655	PULLER FEED ROLL (LOWER) SHAFT WORM WITH TWO K544325	14	51
K269656	PULLER FEED ROLL (LOWER) SHAFT WORM GEAR WITH K500264-833 AND K549024	14	37
K270026	FEED REGULATING STUD SPRING	18	18
K270266	NEEDLE BAR CONNECTING LINK NEEDLE BEARING (2)	4	2
K271055	NEEDLE BAR ROCK FRAME DRIVING CONNECTION NEEDLE BEARING	2	19
K271055	FEED DRIVING CONNECTION NEEDLE BEARING	8	27
K272142	ARM SHAFT BALL BEARING (BACK)	2	47
K272142	BED SHAFT THRUST COLLAR BEARING	8	62

PART NO.	DESCRIPTION	PAGE	NO.
K281201	PULLER FEED CROSS SHAFT	14	47
K281207	NEEDLE GUARD	10	35
K281208	LOOPER AND NEEDLE GUARD COMPLETE, NOS. K281207 AND K268380	10	33
K281209	NEEDLE BAR CRANK COMPLETE, NOS. K415133, K32848, K281258, KE0099 AND TWO K545205-451	2	3
K281212	BED SHAFT WITH K268044, K268214, K268265 AND K414578	8	20
K281216	BED SHAFT BALL BEARING	8	18
K281223	LOOPER DRIVING CONNECTION WITH K415500	10	38
K281224	BED SHAFT BALL BEARING	8	19
K281246	SPREADER DRIVING CONNECTION WITH K415368, K281248 AND K544201-001	8	52
K281248	SPREADER DRIVING ROCK SHAFT SCREW STUD BALL ROLLER	8	54
K281249	SPREADER DRIVING ROCK SHAFT SCREW STUD WITH K32825	12	15
K281256	COUNTERBALANCE WITH TWO K544208-005	2	34
K281258	NEEDLE BAR CRANK OIL PACKING (WICK)	2	9
K281265	LOOPER CARRIER WITH TWO K415500	10	44
K281274	LOOPER HOLDER WITH TWO K414558	10	42
K281290	ARM SHAFT CONNECTION BELT PULLEY WITH TWO EACH K414546 AND K202253	2	37
K281292	BED SHAFT CONNECTION BELT PULLEY WITH TWO 414546	8	57
K281294	ARM SHAFT THRUST COLLAR WITH K272142 AND TWO K544209-005	2	46
K281294	BED SHAFT THRUST COLLAR WITH K272142 AND TWO K544209-005	8	59
K281295 -001	ARM SHAFT THRUST COLLAR	2	48
K281295 -001	BED SHAFT THRUST COLLAR	8	60
K281296 -467	MACHINE PULLEY WITH K414525 AND K414526	2	42
K281297 -467	MACHINE PULLEY	2	43
K281912	NEEDLE BAR	4	10
K350604	FEED LIFTING CRANK PINCH SCREW	10	28
K374098	NEEDLE BAR ROCK FRAME DRIVING ECCENTRIC FRICTION PLATE SCREW (2)	2	26
K374098	FEED DRIVING ECCENTRIC FRICTION PLATE SCREW (2)	8	42
K374099	LOOPER DRIVING CRANK POSITION SCREW (2)	8	2
K376392 -453	THREAD UNWINDER COMPLETE	20	11
K410186	MACHINE REST PIN	20	10
K412011	NEEDLE BAR ROCK FRAME DRIVING ECCENTRIC ADJUSTING DISC SPRING COLLAR WITH TWO K544325	2	31
K412011	FEED DRIVING ECCENTRIC ADJUSTING DISC SPRING COLLAR WITH TWO K544325	8	46
K412203	LOOPER THREAD TENSION DISC (2)	18	35
K414503	BED HINGE CONNECTION BRACKET SCREW (6)	14	32
K414503	PULLER FEED CROSS SHAFT BRACKET SCREW (2)	14	49
K414507	PULLER FEED ROLL (UPPER) BAR LIFTER CAM PLATE SCREW (2)	14	16
K414508	BED PLATE SCREW (8)	18	14
K414509	NEEDLE BAR ROCK FRAME DRIVING ARM PINCH SCREW (2)	4	21
K414510	LOOPER THREAD GUIDE SCREW	12	23
K414511	NEEDLE BAR CONNECTING STUD PINCH SCREW (2)	4	7
K414511	FEED LIFTING ROCK SHAFT CRANK PINCH SCREW (2)	8	13
K414511	FEED DRIVING ROCK SHAFT CRANK PINCH SCREW (2)	8	30
K414513	PRESSER BAR GUIDE BRACKET PINCH SCREW	6	18
K414514	NEEDLE THREAD GUIDE SCREW (2)	16	27
K414515	LOOPER CARRIER SHAFT BUSHING (LEFT) POSITION PLATE SCREW (2)	10	74
K414516	LOOPER CARRIER CRANK HINGE PIN PINCH SCREW	10	52
K414517	NEEDLE BAR CONNECTING LINK CAP WASHER SCREW	4	3
K414518	FEED DOG SCREW (2)	10	4
K414518	THROAT PLATE SCREW (3)	18	12
K414519	NEEDLE SET SCREW	4	11
K414520	FEED DOG SHANK SCREW	10	8
K414522	NEEDLE BAR OILING FELT HOLDER SCREW (2)	4	17
K414524	SPREADER BAR BRACKET SCREW (2)	12	8
K414525	MACHINE PULLEY SET SCREW	2	44
K414526	MACHINE PULLEY POSITION SCREW	2	45
K414527	NEEDLE BAR ROCK FRAME REGULATING STUD SLEEVE SET SCREW	4	32
K414528	NEEDLE BAR ROCK FRAME REGULATING STUD CAP SET SCREW	4	28
K414528	SPREADER DRIVING ECCENTRIC SET SCREW (2)	8	50
K414528	SPREADER DRIVING ECCENTRIC COUNTERBALANCE SET SCREW (2)	8	50
K414528	LOOPER THROW-OUT GEAR LOCKING PLUNGER STOP SCREW SET SCREW	10	64
K414529	NEEDLE BAR ROCK FRAME DRIVING ECCENTRIC SPACING COLLAR SET SCREW (2)	2	17
K414529	PRESSER BAR STOP COLLAR SET SCREW	6	20
K414529	FEED BAR HINGE PIN COLLAR SET SCREW	10	23
K414529	SPREADER HOLDER SET SCREW (2)	12	6
K414531	NEEDLE THREAD TENSION RELEASING PLATE SCREW	6	6
K414532	LOOPER THREAD TENSION BRACKET SCREW (2)	18	31
K414534	FACE PLATE LOCK SPRING SCREW (2)	18	8
K414535	PRESSER BAR GUIDE BRACKET ADJUSTING SCREW	6	17
K414537	LOOPER THREAD GUIDE (TOP OF ARM) BRACKET SCREW (2)	16	5
K414539	NEEDLE BAR ROCK FRAME THREAD GUIDE SCREW (2)	4	19
K414542	PULLER FEED ROLL (UPPER) BAR LIFTER CAP SCREW	14	17
K414545	NEEDLE THREAD GUIDE (ON NEEDLE BAR CONNECTING STUD) SET SCREW	4	8
K414546	ARM SHAFT CONNECTION BELT PULLEY SET SCREW (2)	2	39
K414546	BED SHAFT CONNECTION BELT PULLEY SET SCREW (2)	8	58
K414547	PULLER FEED ROLL (UPPER) BAR BRACKET SCREW (2)	14	4
K414549	FEED LIFTING ROCK SHAFT CRANK POSITION SCREW	8	14

PART NO.	DESCRIPTION	PAGE	NO.
K414552	SPREADER SCREW	12	3
K414555	NEEDLE BAR ROCK FRAME DRIVING ECCENTRIC FLANGE SET SCREW (2)	2	24
K414555	FOOT LIFTER LEVER SPRING SCREW	6	2
K414555	FEED DRIVING ECCENTRIC FLANGE SET SCREW (2)	8	38
K414556	LOOPER THREAD GUIDE (ON BED AT LOOPER) SCREW	18	28
K414557	NEEDLE BAR ROCK FRAME DRIVING ECCENTRIC FRICTION PLATE SCREW SET SCREW (2)	2	27
K414557	FEED DRIVING ECCENTRIC FRICTION PLATE SCREW SET SCREW (2)	8	39
K414558	LOOPER SET SCREW (2)	10	43
K414559	FEED DOG SHANK ADJUSTING SCREW	10	6
K414561	PULLER FEED ROLL (UPPER) BAR LIFTER ROLLER SCREW STUD	14	12
K414562	PRESSER BAR SPRING SUPPORT SCREW	6	25
K414563	LOOPER DRIVING CRANK OIL HOLE COVER SCREW	8	5
K414564	LOOPER THROW-OUT GEAR LOCKING PLUNGER STOP SCREW	10	63
K414568	FOOT LIFTER LIFTING LINK HINGE SCREW	6	15
K414570	FOOT LIFTER LEVER SPRING SCREW EYE	6	3
K414572	FOOT LIFTER LEVER BELL CRANK HINGE SCREW	6	13
K414574	PRESSER BAR SPRING ADJUSTING SCREW	6	26
K414578	ARM SHAFT OIL STOP BALL SCREW (2)	2	14
K414578	BED SHAFT OIL STOP BALL SCREW	8	24
K414582	PULLER FEED ROLL (UPPER) BAR SPRING ADJUSTING THUMB SCREW	14	5
K414583	WOOD SCREW (FOR MACHINE REST) (4)	20	14
K414583	WOOD SCREW (FOR BED HINGE PLATE) (4)	20	30
K414639	LOOPER THREAD TUBE COVER SCREW (4)	16	32
K414750 -002	LOOPER HOLDER SCREW	10	56
K415012 -451	FACE PLATE WITH K268033 AND TWO EACH K228661 AND K545174-452	18	1
K415016	FACE PLATE LOCK SPRING PLATE	18	7
K415020	BED PLATE SLIDE COMPLETE, NOS. K415021, K267970 WITH TWO K268022 AND SIX K545086	18	22
K415021	BED PLATE SLIDE	18	23
K415022 -451	BED PLATE (LEFT)	18	13
K415034 -451	BED PLATE (RIGHT) COMPLETE	18	15
K415035 -451	BED PLATE (RIGHT)	18	16
K415053	NEEDLE BAR CONNECTING STUD WITH K202330, K414545 AND TWO K414511	4	6
K415055	PRESSER BAR STOP COLLAR WITH K414529	6	19
K415057	PRESSER BAR GUIDE BRACKET WITH K414513 AND K414535	6	16
K415065	FEED DRIVING ROCK SHAFT COLLAR WITH TWO K504020 (2)	10	15
K415065	FEED LIFTING ROCK SHAFT COLLAR WITH TWO K504020 (2)	10	15
K415065	SPREADER DRIVING ROCK SHAFT COLLAR WITH TWO K504020 (2)	12	18
K415073	NEEDLE BAR ROCK FRAME DRIVING ECCENTRIC FLANGE K415074 WITH K267623 AND TWO EACH K241763, K414555, K414557 AND K374098	2	22
K415073	FEED DRIVING ECCENTRIC FLANGE K415074 WITH K267623 AND TWO EACH K241763, K414555, K414557 AND K374098	8	36
K415074	NEEDLE BAR ROCK FRAME DRIVING ECCENTRIC FLANGE	2	23
K415074	FEED DRIVING ECCENTRIC FLANGE	8	37
K415089 -451	NEEDLE BAR ROCK FRAME DRIVING ARM WITH TWO K414509	4	20
K415091	NEEDLE BAR ROCK FRAME DRIVING CONNECTION HINGE STUD WITH K268258	4	22
K415091	FEED LIFTING CONNECTION HINGE STUD WITH K268258	8	15
K415091	FEED DRIVING CONNECTION HINGE STUD WITH K268258	8	31
K415098	NEEDLE BAR ROCK FRAME REGULATING STUD COMPLETE, NOS. K214529, K415099, K268148 AND K268149	4	26
K415099	NEEDLE BAR ROCK FRAME REGULATING STUD CAP WITH K414528	4	27
K415102 -451	FOOT LIFTER LEVER BELL CRANK	6	12
K415104 -451	FOOT LIFTER LEVER WITH K543850-001	6	4
K415128	ARM SHAFT WITH K268009, K268044, K268264, TWO EACH K268214 AND K414578	2	10
K415133	NEEDLE BAR CRANK WITH K500272-833, K544358 AND K549024	2	1
K415168	LOOPER CARRIER SHAFT BUSHING (LEFT) WITH K500264-833 AND K549024	10	47
K415170	LOOPER CARRIER SHAFT BUSHING (RIGHT) WITH K500264-833 AND K549024	10	48
K415174	LOOPER CARRIER CRANK WITH K414516	10	51
K415176	LOOPER DRIVING CRANK WITH K500264-833 AND TWO K374099	8	1
K415178	LOOPER THROW-OUT RACK ROD K415179 WITH K541451	10	68
K415179	LOOPER THROW-OUT RACK ROD	10	69
K415180	LOOPER THROW-OUT GEAR WITH TWO K500264-833	10	71
K415182	LOOPER THROW-OUT GEAR LOCKING PLUNGER	10	61
K415187	SPREADER DRIVING ECCENTRIC WITH K543808-002 AND TWO K414528	8	48
K415190	SPREADER DRIVING ECCENTRIC COUNTERBALANCE WITH TWO K414528	8	56
K415194	SPREADER DRIVING CRANK WITH TWO K544204-001	12	13
K415196	SPREADER HOLDER WITH TWO K414529	12	5
K415198	FEED BAR WITH K545213 AND TWO K544204-001	10	18
K415200	FEED DRIVING ROCK FRAME WITH K500264-833 AND K549024	10	11
K415202	FEED BAR HINGE PIN COLLAR WITH K414529	10	22
K415204	FEED LIFTING CRANK WITH K350604 AND K545213	10	27
K415206	FEED LIFTING ROCK SHAFT CRANK WITH K414549 AND TWO K414511	8	12
K415208	FEED DOG SHANK WITH K414559 AND K541200	10	5
K415210	FEED LIFTING ECCENTRIC WITH K268077 AND TWO K544208-005	8	8
K415213	FEED DRIVING ROCK SHAFT CRANK WITH TWO K414511	8	29
K415215	FEED DRIVING ROCK SHAFT CRANK K415213 WITH K267609, K415091, K541197 AND K545297	8	25
K415216 -451	PULLER FEED ROLL (UPPER) BAR BRACKET WITH K268433	14	1
K415218 -451	PULLER FEED ROLL (UPPER) BAR POSITION BRACKET WITH K268435 AND TWO K500264-833	14	8

PART NO.	DESCRIPTION	PAGE	NO.
K415220 -451	PULLER FEED ROLL (UPPER) BAR LIFTER K415221-451 WITH K268432 AND TWO K414507	14	13
K415221 -451	PULLER FEED ROLL (UPPER) BAR LIFTER	14	14
K415222 -451	PULLER FEED ROLL (UPPER) BRACKET WITH K544325 AND K500264-833	14	20
K415233 -451	BED HINGE CONNECTION BRACKET (LEFT) K415234-451 WITH K557332	14	29
K415234 -451	BED HINGE CONNECTION BRACKET (LEFT)	14	30
K415235 -451	BED HINGE CONNECTION BRACKET (RIGHT) K415236-451 WITH K557332	14	23
K415236 -451	BED HINGE CONNECTION BRACKET (RIGHT)	14	24
K415237	PULLER FEED ROLL (LOWER) SHAFT COLLAR WITH TWO K544358 (2)	14	40
K415239 -451	PULLER FEED DRIVING SHAFT BRACKET K415240-451 WITH K557332	14	26
K415240 -451	PULLER FEED DRIVING SHAFT BRACKET	14	27
K415252	NEEDLE THREAD TENSION RELEASER CAP WITH K504048	16	24
K415255	LOOPER THREAD TENSION BRACKET	18	29
K415291	LOOPER THREAD TENSION STUD	18	34
K415292	LOOPER CARRIER CRANK CLAMPING STUD	10	53
K415294	LOOPER THREAD TENSION COMPLETE NOS. K10148, K415291, K541452 AND TWO K412203	18	33
K415296	PULLER FEED ROLL (UPPER) BAR BRACKET POSITION PIN (2)	14	3
K415297	FEED DRIVING ROCK SHAFT BUSHING (2)	10	14
K415297	FEED LIFTING ROCK SHAFT BUSHING (2)	10	14
K415297	SPREADER DRIVING ROCK SHAFT BUSHING (2)	12	11
K415308	NEEDLE BAR ROCK FRAME DRIVING ECCENTRIC SPACING COLLAR WITH TWO K414529	2	16
K415342 -451	LOOPER THREAD TUBE COVER	16	30
K415357	NEEDLE THREAD TENSION RELEASER	16	19
K415360	FOOT LIFTER LIFTING LINK STOP PIN	6	27
K415368	SPREADER DRIVING CONNECTION NEEDLE BEARING	8	53
K415377	THREAD WIRE	20	3
K415389	SPREADER DRIVING ROCK SHAFT WITH K504019	12	12
K415393	NEEDLE BAR ROCK FRAME	4	13
K415433 -452	BELT GUARD COMPLETE	20	1
K415500	LOOPER DRIVING CONNECTION BUSHING	10	39
K415500	LOOPER CARRIER BUSHING (2)	10	45
K500264 -833	LOOPER DRIVING CRANK SET SCREW	8	3
K500264 -833	FEED DRIVING ROCK FRAME SET SCREW	10	13
K500264 -833	LOOPER CARRIER SHAFT BUSHING SET SCREW (2)	10	50
K500264 -833	LOOPER THROW-OUT GEAR SET SCREW (2)	10	72
K500264 -833	PULLER FEED ROLL (UPPER) BAR POSITION BRACKET SET SCREW (3)	14	9
K500264 -833	PULLER FEED ROLL (UPPER) BRACKET SET SCREW	14	21
K500264 -833	PULLER FEED ROLL (LOWER) SHAFT WORM GEAR SET SCREW	14	39
K500264 -833	PULLER FEED CROSS SHAFT WORM GEAR SET SCREW (2)	14	54
K500272 -833	NEEDLE BAR CRANK SET SCREW	2	6
K502986	ARM PLUG (3)	16	33
K504019	LOOPER THREAD TAKE-UP ROD SET SCREW	12	21
K504020	FEED DRIVING ROCK SHAFT COLLAR SET SCREW (4)	10	16
K504020	FEED LIFTING ROCK SHAFT COLLAR SET SCREW (4)	10	16
K504020	SPREADER DRIVING ROCK SHAFT COLLAR SET SCREW (4)	12	19
K504048	NEEDLE THREAD TENSION RELEASER CAP SET SCREW	16	25
K541166 -003	FEED DOG SHANK SCREW LOCK NUT	10	10
K541197	NEEDLE BAR ROCK FRAME DRIVING CONNECTION HINGE STUD NUT	4	23
K541197	FEED LIFTING CONNECTION HINGE STUD NUT	8	17
K541197	FEED DRIVING CONNECTION HINGE STUD NUT	8	33
K541198	LOOPER CARRIER CRANK CLAMPING STUD NUT	10	54
K541200	FEED DOG SHANK ADJUSTING SCREW LOCK NUT	10	7
K541451	LOOPER THROW-OUT RACK ROD THUMB NUT	10	70
K541452	LOOPER THREAD TENSION THUMB NUT	18	37
K541453	LOOPER THROW-OUT GEAR LOCKING PLUNGER THUMB NUT	10	67
K543162	TWEEZERS	20	7
K543801 -012	LOOPER THROW-OUT SAFETY LATCH RETAINING RING	10	32
K543804 -004	NEEDLE THREAD TENSION RELEASING PLATE SCREW WASHER	6	7
K543804 -004	FEED DOG SHANK SCREW WASHER	10	9
K543804 -004	LOOPER HOLDER SCREW WASHER	10	57
K543808 -002	SPREADER DRIVING ECCENTRIC PIN	8	49
K543850 -001	NEEDLE THREAD TENSION RELEASING PLATE PIN	6	8
K543853 -003	NEEDLE THREAD TENSION BRACKET SPACING COLLAR (2)	16	20
K543853 -003	LOOPER THREAD TENSION BRACKET SPACING COLLAR (2)	18	30
K544203 -001	SPREADER DRIVING ROCK SHAFT SCREW STUD BALL ROLLER SET SCREW	8	55
K544204 -001	FEED BAR SET SCREW (2)	10	19
K544204 -001	SPREADER DRIVING CRANK SET SCREW (2)	12	14
K544208 -005	COUNTERBALANCE SET SCREW (2)	2	35
K544208 -005	FEED LIFTING ECCENTRIC SET SCREW (2)	8	10
K544209 -005	ARM SHAFT THRUST COLLAR SET SCREW (2)	2	49
K544209 -005	BED SHAFT THRUST COLLAR SET SCREW (2)	8	61
K544213 -001	LOOPER DRIVING CONNECTION WASHER SCREW	8	7
K544213 -002	PULLER FEED CROSS SHAFT WASHER SCREW (2)	14	58
K544325	NEEDLE BAR ROCK FRAME DRIVING ECCENTRIC ADJUSTING DISC SPRING COLLAR SET SCREW (2)	2	32
K544325	FEED DRIVING ECCENTRIC ADJUSTING DISC SPRING COLLAR SET SCREW (2)	8	47
K544325	PULLER FEED ROLL (LOWER) POSITION SCREW	14	22
K544325	PULLER FEED ROLL (LOWER) SHAFT WORM SET SCREW (2)	14	52

PART NO.	DESCRIPTION	PAGE	NO.
K544325	PULLER FEED CROSS SHAFT WORM SET SCREW	14	56
K544329	PULLER FEED CROSS SHAFT WORM POSITION SCREW	14	57
K544336	ARM SHAFT BALL BEARING (BACK) HOUSING SCREW (3)	2	41
K544336	NEEDLE THREAD TENSION BRACKET SCREW (2)	16	22
K544358	NEEDLE BAR CRANK POSITION SCREW CHECK SCREW	2	5
K544358	PULLER FEED ROLL (LOWER) SHAFT COLLAR SET SCREW (4)	14	41
K544381	BED HINGE CONNECTION SCREW (4)	20	20
K544875	ARM PLUG	16	6
K545086	BED PLATE SLIDE SPRING SCREW (6)	18	25
K545174 -452	FACE PLATE HINGE STUD SET SCREW (2)	18	3
K545205 -451	NEEDLE BAR CRANK COVER SCREW (2)	2	8
K545205 -451	LOOPER THROW-OUT SAFETY LATCH SPRING BRACKET SCREW (2)	10	60
K545213	FEED LIFTING LINK HINGE PIN SET SCREW	10	20
K545213	FEED LIFTING LINK HINGE PIN SET SCREW	10	29
K545237	PULLER FEED ROLL (UPPER) SCREW (2)	14	19
K545237	PULLER FEED ROLL (LOWER) SCREW (2)	14	35
K545246 -452	ARM SIDE COVER SCREW (3)	18	10
K545249 -452	FEED REGULATING STUD SOCKET SCREW (2)	18	21
K545297	NEEDLE BAR ROCK FRAME DRIVING CONNECTION CAP SCREW	4	24
K545297	FEED DRIVING CONNECTION CAP SCREW	8	34
K545302	DRIP PAN SCREW (4)	20	17
K545424	SPREADER DRIVING ROCK SHAFT SCREW STUD NUT	12	17
K547670	SPREADER SCREW WASHER	12	4
K548459	LOOPER CARRIER CRANK CLAMPING STUD WASHER	10	55
K548514	BED HINGE CONNECTION BRACKET POSITION PIN (6)	14	33
K548514	PULLER FEED CROSS SHAFT BRACKET POSITION PIN (2)	14	50
K549024	NEEDLE BAR CRANK POSITION SCREW	2	4
K549024	FEED DRIVING ROCK FRAME POSITION SCREW	10	12
K549024	LOOPER CARRIER SHAFT BUSHING POSITION SCREW (2)	10	49
K549024	PULLER FEED ROLL (LOWER) SHAFT WORM GEAR POSITION SCREW	14	38
K557332	PULLER FEED ROLL (LOWER) SHAFT BUSHING	14	25
K557332	PULLER FEED ROLL (LOWER) SHAFT BUSHING	14	28
K557332	PULLER FEED ROLL (LOWER) SHAFT BUSHING	14	31
K557332	PULLER FEED CROSS SHAFT BUSHING (2)	14	48
KE0003	NEEDLE BAR ROCK FRAME DRIVING ECCENTRIC COMPLETE, NOS. KE0004, K268065, K268066, K412011 AND K415073	2	33
KE0003	FEED DRIVING ECCENTRIC COMPLETE, NOS. KE0004, K268065, K268066, K412011 AND K415073	8	35
KE0004	NEEDLE BAR ROCK FRAME DRIVING ECCENTRIC	2	21
KE0004	FEED DRIVING ECCENTRIC	8	43
KE0053	OILER	20	8
KE0075	FEED REGULATING STUD SOCKET	18	19
KE0081	BED HINGE PLATE (2)	20	29
KE0091	WRENCH 3mm	20	21
KE0092	WRENCH 4mm	20	22
KE0093	WRENCH 3/16"	20	23
KE0094	WRENCH 3/32"	20	24
KE0095	SPANNER 8mm	20	25
KE0096	SPANNER 9mm	20	26
KE0097	SPANNER 12mm	20	27
KE0099	NEEDLE BAR CRANK COVER	2	7
KE0117	BOTTLE WITH OIL (100cc)	20	28
KE0220	PULLER FEED COVER PLATE (RIGHT)	14	43
KE0221	PULLER FEED COVER PLATE (LEFT)	14	42
KE0224	PULLER FEED COVER PLATE SCREW (4)	14	44
KE0254	PRESSER BAR SPRING CUSHION SPRING	6	28
KE0357	ARM PLUG	18	38
KN3260-01 -22	NEEDLE (62X57) SIZE 22	4	12
KN3260-01 -22	NEEDLE (62X57) SIZE 22 (5)	20	9

KAMBARA Engineering Co., Ltd.
Yoshida Soko 1F, 1508-4 Shimohiraide
Utsunomiya, Tochigi 321-0903, Japan
TEL: 81-28-683-6636
FAX: 81-28-683-6638
<https://kambara-engineering.jp>
Printed in Japan