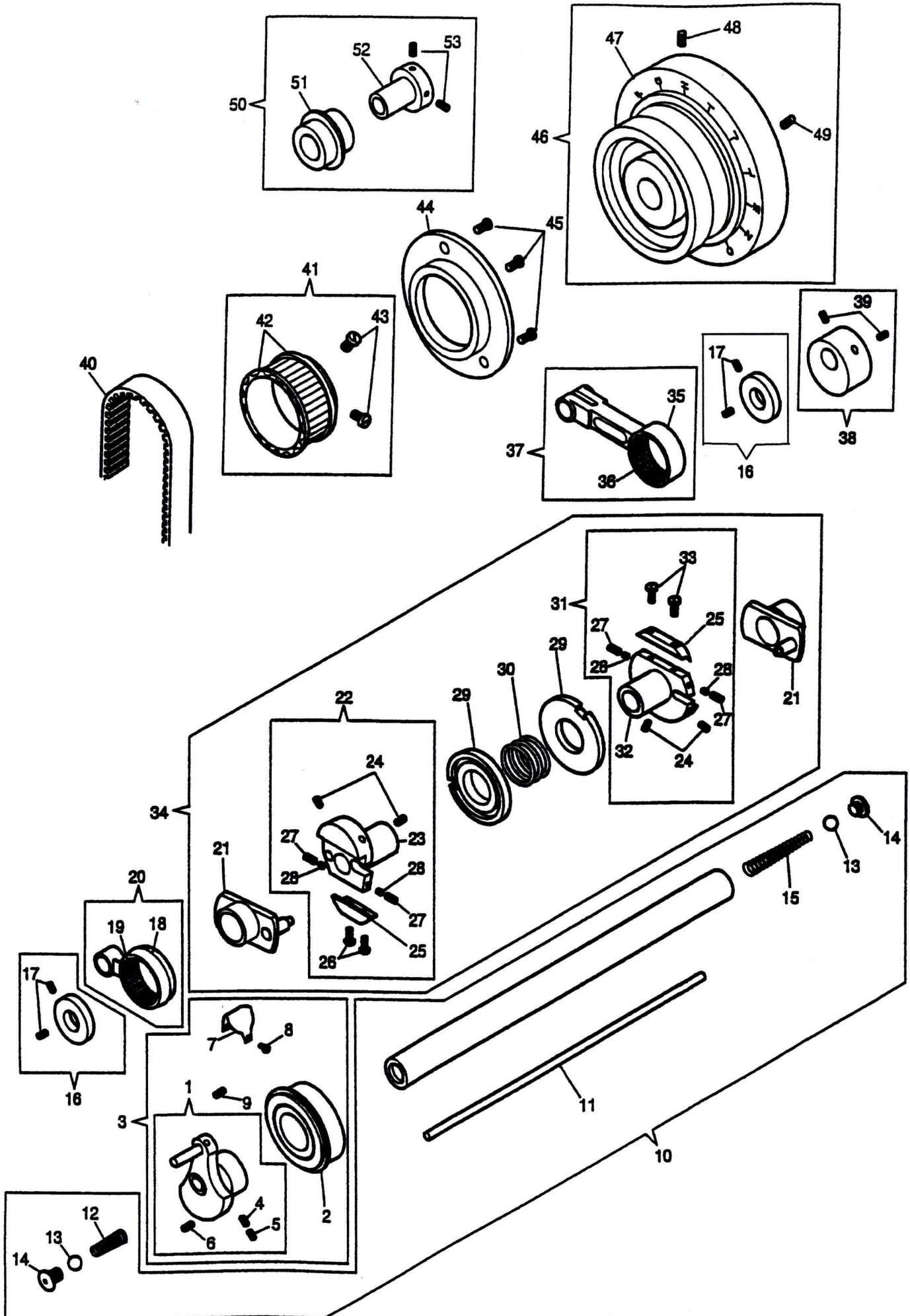


# ILLUSTRATED PARTS LIST

## MACHINE

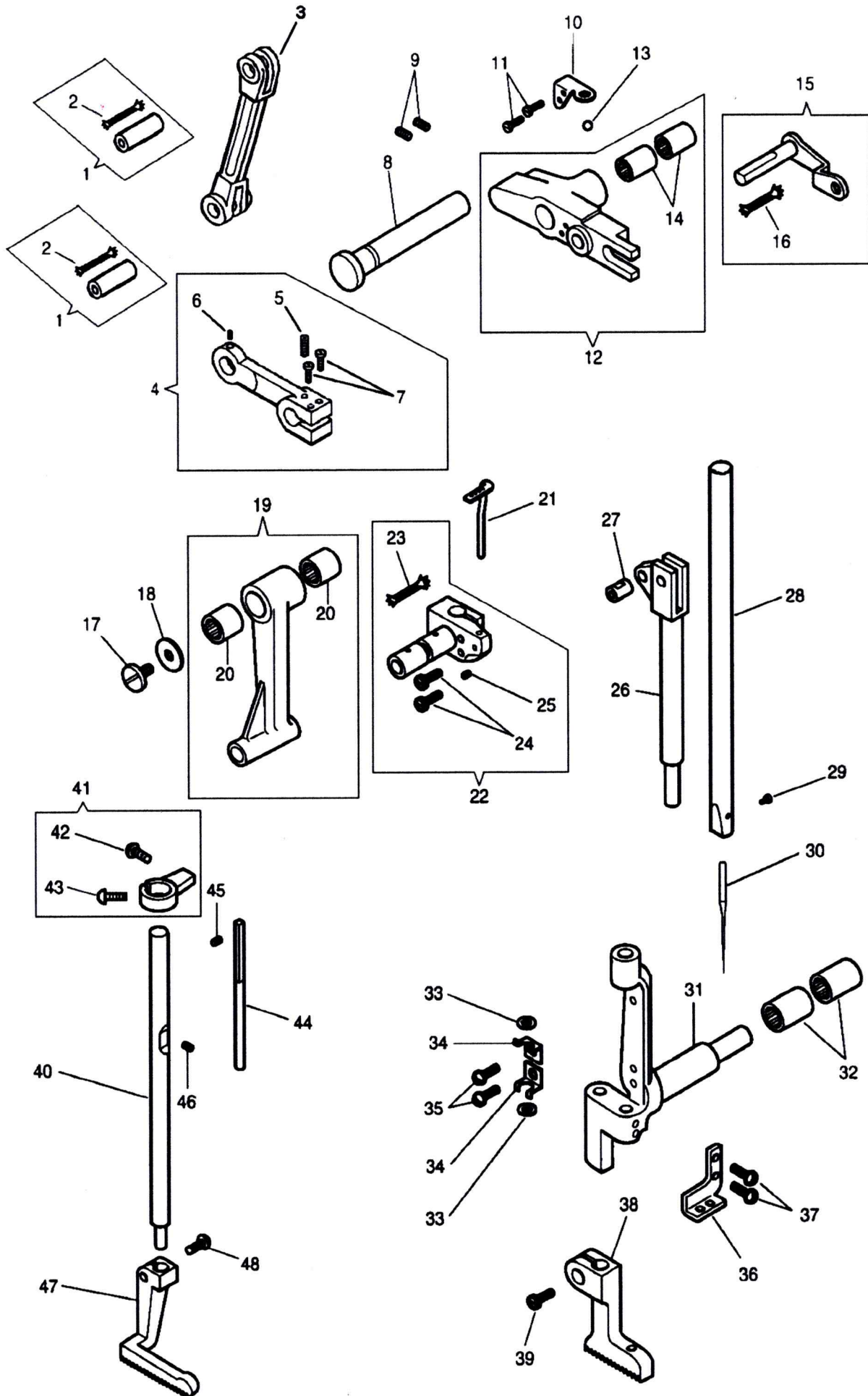
300S

# UPPER SHAFT ASSEMBLY



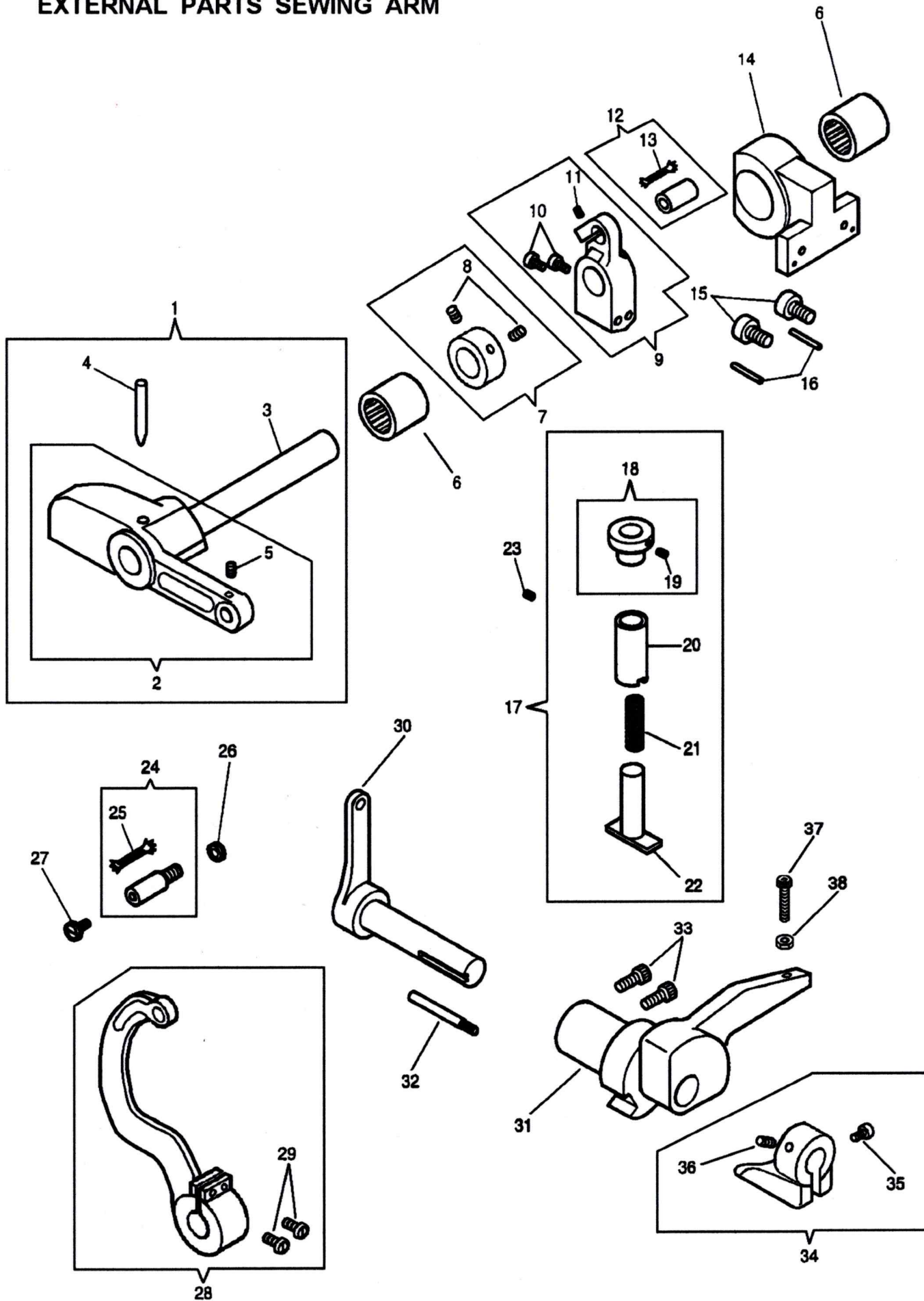
NO.	PART NO.	DESCRIPTION
1	K415138	NEEDLE BAR CRANK WITH K500272-833, K544358 AND K549024
2	K32848	ARM SHAFT BALL BEARING (FRONT)
3	K281239	NEEDLE BAR CRANK COMPLETE, NOS. K415138, K32848, K281258, KE0099 AND TWO K545205-451
4	K549024	NEEDLE BAR CRANK POSITION SCREW
5	K544358	NEEDLE BAR CRANK POSITION SCREW CHECK SCREW
6	K500272 -833	NEEDLE BAR CRANK SET SCREW
7	KE0099	NEEDLE BAR CRANK COVER
8	K545205 -451	NEEDLE BAR CRANK COVER SCREW (2)
9	K281258	NEEDLE BAR CRANK OIL PACKING (WICK)
10	K415128	ARM SHAFT WITH K268009, K268044, K268264, TWO EACH K268214 AND K414578
11	K268264	ARM SHAFT OIL CONTROL ROD (WOOD)
12	K268009	ARM SHAFT OIL STOP BALL SPRING (FRONT)
13	K268214	ARM SHAFT OIL STOP BALL 5/32 IN. DIA. (2)
14	K414578	ARM SHAFT OIL STOP BALL SCREW (2)
15	K268044	ARM SHAFT OIL STOP BALL SPRING (REAR)
16	K415308	NEEDLE BAR ROCK FRAME DRIVING ECCENTRIC SPACING COLLAR WITH TWO K414529
16	K415308	LIFTING ECCENTRIC SPACING COLLAR WITH TWO K414529
17	K414529	NEEDLE BAR ROCK FRAME DRIVING ECCENTRIC SPACING COLLAR SET SCREW (2)
17	K414529	LIFTING ECCENTRIC SPACING COLLAR SET SCREW (2)
18	K267608	NEEDLE BAR ROCK FRAME DRIVING CONNECTION
19	K271055	NEEDLE BAR ROCK FRAME DRIVING CONNECTION NEEDLE BEARING
20	K267609	NEEDLE BAR ROCK FRAME DRIVING CONNECTION K267608 WITH K271055
21	K267610	NEEDLE BAR ROCK FRAME DRIVING ECCENTRIC
21	K267610	LIFTING ECCENTRIC
22	K415078	NEEDLE BAR ROCK FRAME DRIVING ECCENTRIC FLANGE K415079 WITH K267623 AND TWO EACH K241763, K374098, K414555, AND K414557
23	K415079	NEEDLE BAR ROCK FRAME DRIVING ECCENTRIC FLANGE
24	K414555	NEEDLE BAR ROCK FRAME DRIVING ECCENTRIC FLANGE SET SCREW (2)
24	K414555	LIFTING ECCENTRIC FLANGE SET SCREW (2)
25	K267623	NEEDLE BAR ROCK FRAME DRIVING ECCENTRIC FRICTION PLATE
25	K267623	LIFTING ECCENTRIC FRICTION PLATE
26	K374098	NEEDLE BAR ROCK FRAME DRIVING ECCENTRIC FRICTION PLATE SCREW (2)
27	K414557	NEEDLE BAR ROCK FRAME DRIVING ECCENTRIC FRICTION PLATE SCREW SET SCREW (2)
27	K414557	LIFTING ECCENTRIC FRICTION PLATE SCREW SET SCREW (2)
28	K241763	NEEDLE BAR ROCK FRAME DRIVING ECCENTRIC FRICTION PLATE SCREW SET SCREW PACKING (BRASS) (2)
28	K241763	LIFTING ECCENTRIC FRICTION PLATE SCREW SET SCREW PACKING (BRASS) (2)
29	K268065	NEEDLE BAR ROCK FRAME DRIVING ECCENTRIC ADJUSTING DISC
29	K268065	LIFTING ECCENTRIC ADJUSTING DISC
30	K267618	LIFTING ECCENTRIC ADJUSTING DISC SPRING
31	K415076	LIFTING ECCENTRIC FLANGE K415077 WITH K267623 AND TWO EACH K241763, K374098, K414555, AND K414557
32	K415077	LIFTING ECCENTRIC FLANGE
33	K374098	LIFTING ECCENTRIC FLANGE FRICTION PLATE SCREW (2)
34	K415081	LIFTING ECCENTRIC AND NEEDLE BAR ROCK FRAME DRIVING ECCENTRIC COMPLETE, NOS. K267618, K415076, K415078 AND TWO EACH K267610, K268065
35	K268490	LIFTING ECCENTRIC CONNECTION
36	K271055	LIFTING ECCENTRIC CONNECTION NEEDLE BEARING
37	K268491	LIFTING ECCENTRIC CONNECTION K268490 WITH K271055
38	K281256	COUNTERBALANCE WITH TWO K544208-005
39	K544208 -005	COUNTERBALANCE SET SCREW (2)
40	K268270	ARM SHAFT CONNECTION BELT (REINFORCED NEOPRENE)
41	K281290	ARM SHAFT CONNECTION BELT PULLEY WITH TWO EACH K414546 AND K202253
42	K202253	ARM SHAFT CONNECTION BELT PULLEY SPRING FLANGE (2)
43	K414546	ARM SHAFT CONNECTION BELT PULLEY SET SCREW (2)
44	K268004 -451	ARM SHAFT BALL BEARING (BACK) HOUSING
45	K544336	ARM SHAFT BALL BEARING (BACK) HOUSING SCREW (3)
46	K281296 -467	MACHINE PULLEY WITH K414525 AND K414526
47	K281297 -467	MACHINE PULLEY
48	K414525	MACHINE PULLEY SET SCREW
49	K414526	MACHINE PULLEY POSITION SCREW
50	K281294	ARM SHAFT THRUST COLLAR WITH K272142 AND TWO K544209-005
51	K272142	ARM SHAFT BALL BEARING (BACK)
52	K281295 -001	ARM SHAFT THRUST COLLAR
53	K544209 -005	ARM SHAFT THRUST COLLAR SET SCREW (2)

# FRONT ASSEMBLY SEWING ARM



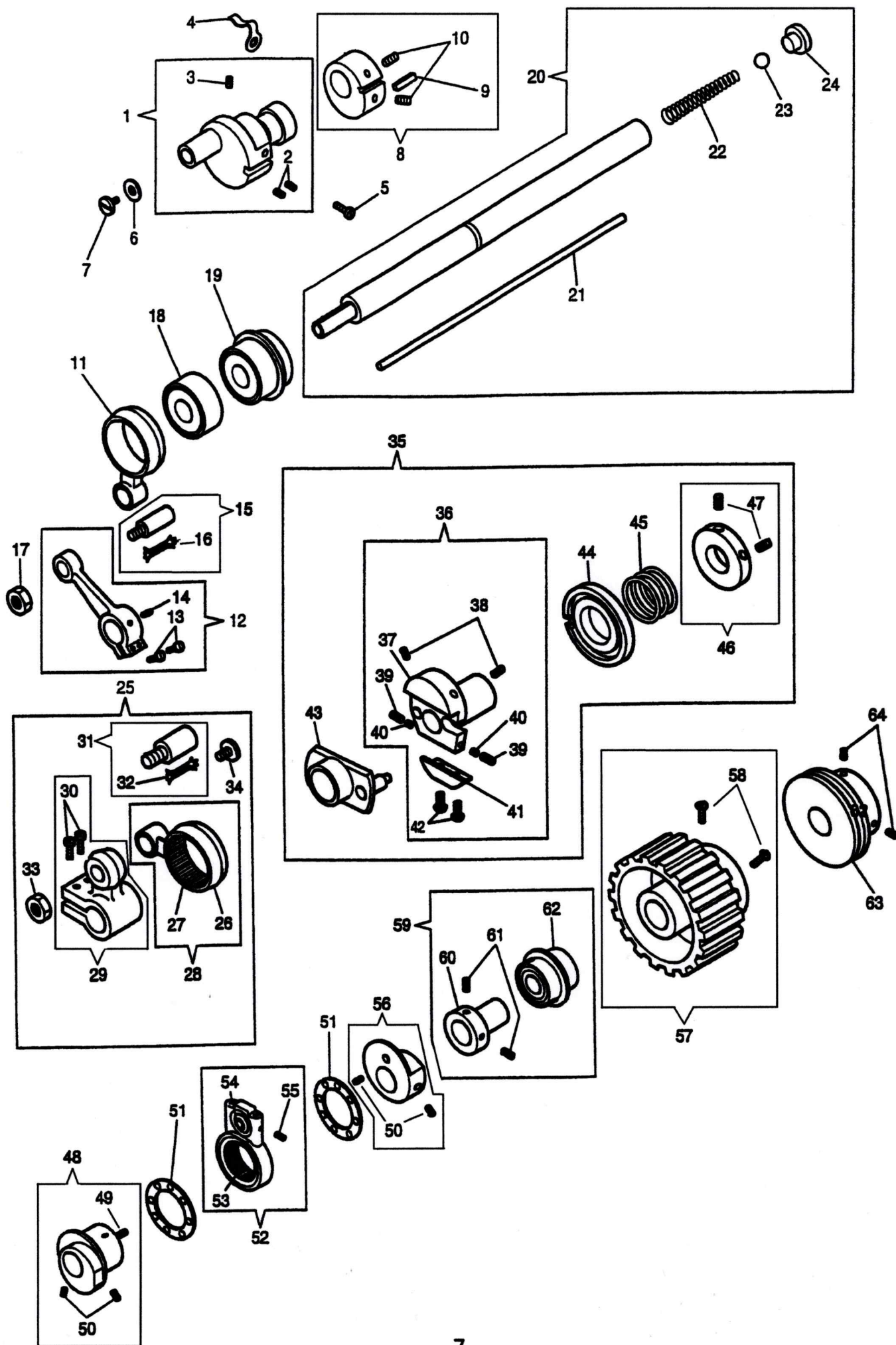
NO.	PART NO.	DESCRIPTION
1	K267617	LIFTING ECCENTRIC CONNECTION HINGE PIN WITH K268258
1	K267617	LIFTING LINK HINGE PIN WITH K268258
2	K268258	LIFTING ECCENTRIC CONNECTION HINGE PIN OIL PACKING (WICK)
2	K268258	LIFTING LINK HINGE PIN OIL PACKING (WICK)
3	K267627	LIFTING LINK
4	K415061	LIFTING CRANK WITH K141424, K141338 AND TWO K414511
5	K141338	LIFTING CRANK SET SCREW
6	K141424	LIFTING LINK HINGE PIN SET SCREW
7	K414511	LIFTING CRANK PINCH SCREW (2)
8	K267626	LIFTING LEVER HINGE STUD
9	K544322	LIFTING LEVER HINGE STUD SET SCREW (2)
10	K267718	PRESSER BAR SPRING ARM BALL RETAINER
11	K414548	PRESSER BAR SPRING ARM BALL RETAINER SCREW (2)
12	K415067	LIFTING LEVER WITH TWO KE0008
13	K276025	PRESSER BAR SPRING ARM BALL
14	KE0008	LIFTING LEVER BUSHING (2)
15	K267631	LIFTING PRESSER BAR LIFTING CRANK WITH K268258
16	K268258	LIFTING PRESSER BAR LIFTING CRANK OIL PACKING (WICK)
17	K414517	NEEDLE BAR CONNECTING LINK CAP WASHER SCREW
18	K268139	NEEDLE BAR CONNECTING LINK CAP WASHER
19	K281916	NEEDLE BAR CONNECTING LINK WITH TWO K270266
20	K270266	NEEDLE BAR CONNECTING LINK NEEDLE BEARING (2)
21	K268512	NEEDLE THREAD GUIDE (ON NEEDLE BAR CONNECTING STUD)
22	K281914	NEEDLE BAR CONNECTING STUD WITH K202330, K414545 AND TWO K414511
23	K202330	NEEDLE BAR CONNECTING STUD OIL PACKING (WICK)
24	K414511	NEEDLE BAR CONNECTING STUD PINCH SCREW (2)
25	K414545	NEEDLE THREAD GUIDE (ON NEEDLE BAR CONNECTING STUD) SET SCREW
26	K267657	VIBRATING PRESSER BAR
27	K267658	VIBRATING PRESSER BAR HINGE STUD
28	K281912	NEEDLE BAR
29	K414519	NEEDLE SET SCREW
30	KN4112-01 -23	NEEDLE (62X59) SIZE 23
31	K415045	NEEDLE BAR ROCK FRAME
32	K268029	NEEDLE BAR ROCK FRAME NEEDLE BEARING (2)
33	K268144	NEEDLE BAR OILING FELT (2)
34	K268278	NEEDLE BAR OILING FELT HOLDER (2)
35	K414522	NEEDLE BAR OILING FELT HOLDER SCREW (2)
36	K268219	NEEDLE BAR ROCK FRAME THREAD GUIDE
37	K414539	NEEDLE BAR ROCK FRAME THREAD GUIDE SCREW (2)
38	K559057	VIBRATING PRESSER FOOT
39	K414638	VIBRATING PRESSER FOOT PINCH SCREW
40	K267628	LIFTING PRESSER BAR
41	K415059	LIFTING PRESSER BAR GUIDE BLOCK WITH K414512 AND K414516
42	K414516	LIFTING PRESSER BAR GUIDE BLOCK ADJUSTING SCREW
43	K414512	LIFTING PRESSER BAR GUIDE BLOCK PINCH SCREW
44	K267907	LIFTING PRESSER BAR GUIDE ROD
45	K544301	LIFTING PRESSER BAR GUIDE ROD SET SCREW (UPPER)
46	K544301	LIFTING PRESSER BAR GUIDE ROD SET SCREW (LOWER)
47	KE0070	LIFTING PRESSER FOOT
48	K414638	LIFTING PRESSER FOOT PINCH SCREW

# EXTERNAL PARTS SEWING ARM



NO.	PART NO.	DESCRIPTION
1	K32789	LIFTING ROCK SHAFT K267633 WITH K32788 AND K548035
2	K32788	LIFTING ROCK SHAFT CRANK WITH K141424
3	K267633	LIFTING ROCK SHAFT
4	K548035	LIFTING ROCK SHAFT CRANK PIN
5	K141424	LIFTING LINK HINGE PIN SET SCREW
6	K267110	LIFTING ROCK SHAFT NEEDLE BEARING (2)
7	K415065	LIFTING ROCK SHAFT COLLAR WITH TWO K504020
8	K504020	LIFTING ROCK SHAFT COLLAR SET SCREW (2)
9	K415069	LIFTING ECCENTRIC CONNECTION CRANK WITH K414543 AND TWO K414509
10	K414509	LIFTING ECCENTRIC CONNECTION CRANK PINCH SCREW (2)
11	K414543	LIFTING ECCENTRIC CONNECTION HINGE PIN PINCH SCREW
12	K267617	LIFTING ECCENTRIC CONNECTION HINGE PIN WITH K268258
13	K268258	LIFTING ECCENTRIC CONNECTION HINGE PIN OIL PACKING (WICK)
14	K415071 -451	LIFTING ROCK SHAFT BRACKET
15	K414504	LIFTING ROCK SHAFT BRACKET SCREW (2)
16	K543841 -001	LIFTING ROCK SHAFT BRACKET POSITION PIN (2)
17	K415098	NEEDLE BAR ROCK FRAME REGULATING STUD COMPLETE, NOS. K214529, K415099, K268148 AND K268149
18	K415099	NEEDLE BAR ROCK FRAME REGULATING STUD CAP WITH K414528
19	K414528	NEEDLE BAR ROCK FRAME REGULATING STUD CAP SET SCREW
20	K268149	NEEDLE BAR ROCK FRAME REGULATING STUD SLEEVE
21	K214529	NEEDLE BAR ROCK FRAME REGULATING STUD SPRING
22	K268148	NEEDLE BAR ROCK FRAME REGULATING STUD
23	K414527	NEEDLE BAR ROCK FRAME REGULATING STUD SLEEVE SET SCREW
24	K415091	NEEDLE BAR ROCK FRAME DRIVING CONNECTION HINGE STUD WITH K268258
25	K268258	NEEDLE BAR ROCK FRAME DRIVING CONNECTION HINGE STUD OIL PACKING (WICK)
26	K541197	NEEDLE BAR ROCK FRAME DRIVING CONNECTION HINGE STUD NUT
27	K545297	NEEDLE BAR ROCK FRAME DRIVING CONNECTION CAP SCREW
28	K415094 -451	NEEDLE BAR ROCK FRAME DRIVING ARM WITH TWO K414790
29	K414790	NEEDLE BAR ROCK FRAME DRIVING ARM PINCH SCREW (2)
30	K267612	FOOT LIFTER CRANK
31	K281927	PRESSER BAR SPRING ARM FULCRUM
32	K414566	FOOT LIFTER CRANK STOP SCREW STUD
33	K350604	PRESSER BAR SPRING ARM FULCRUM SET SCREW (2)
34	K415122	FOOT LIFTER ARM WITH K414509 AND K545213
35	K414509	FOOT LIFTER ARM PINCH SCREW
36	K545213	FOOT LIFTER ARM SET SCREW
37	K414750 -004	PRESSER BAR SPRING ARM FULCRUM SCREW
38	K541166 -001	PRESSER BAR SPRING ARM FULCRUM SCREW NUT

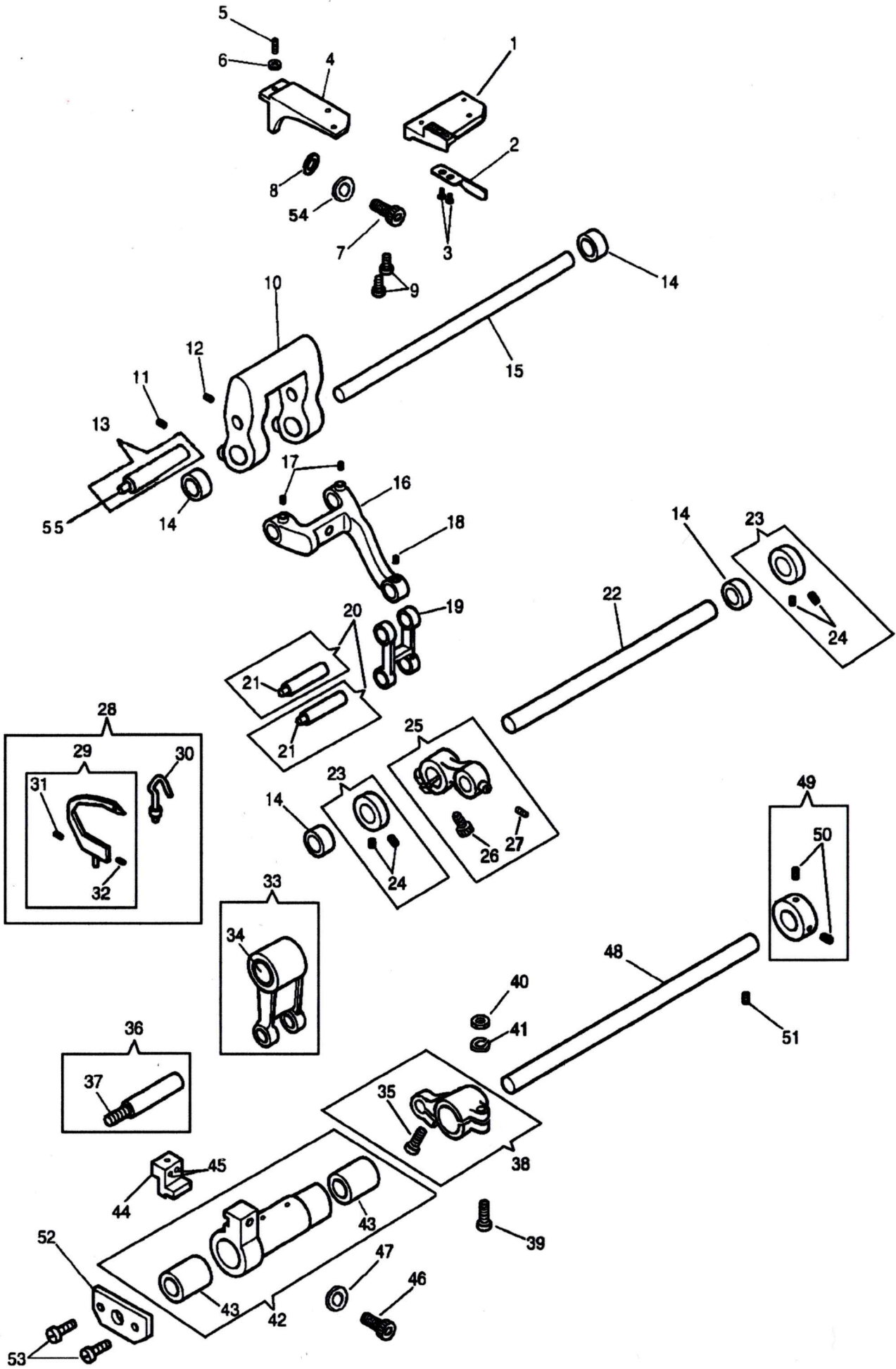
# LOWER SHAFT ASSEMBLY





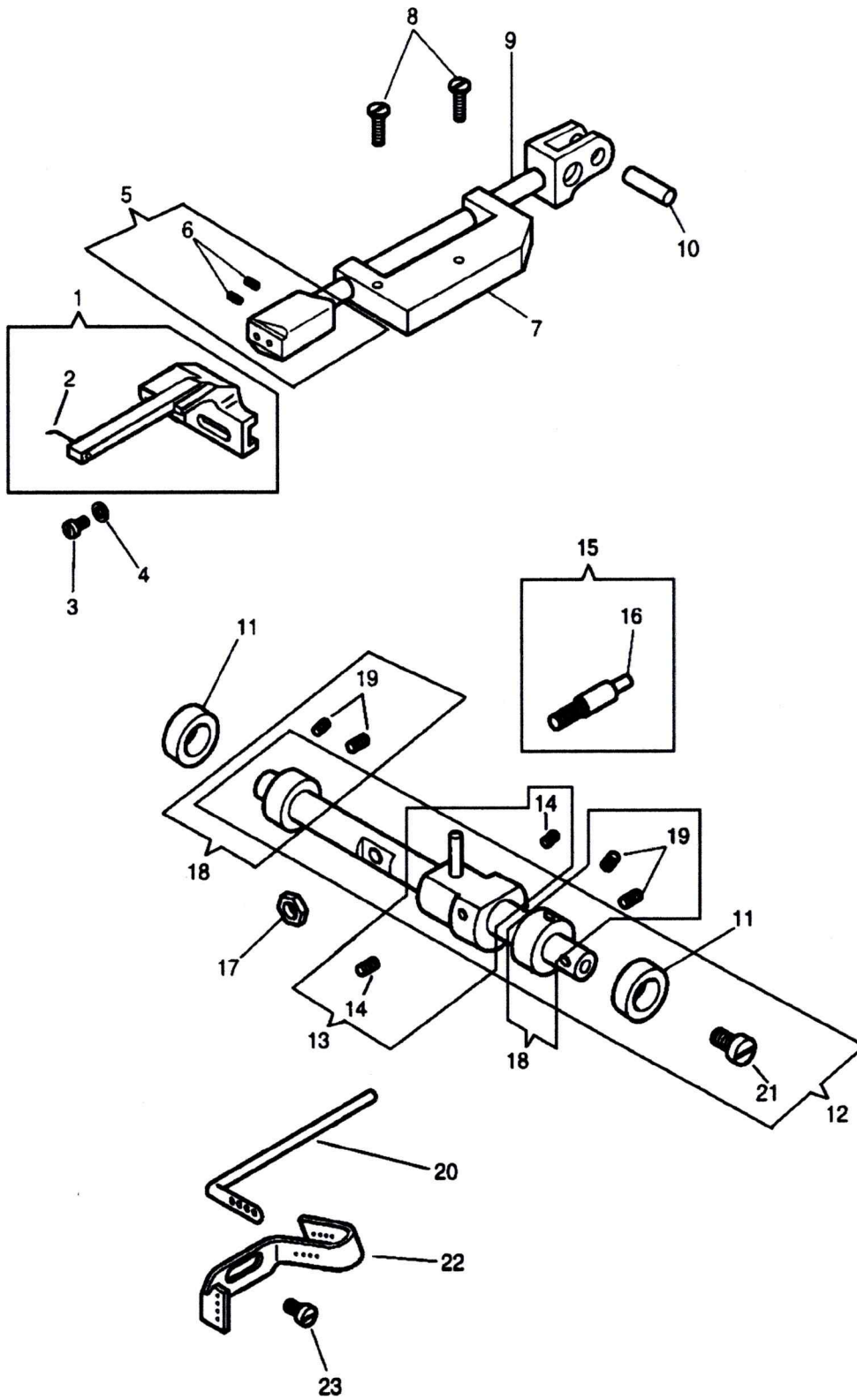
NO.	PART NO.	DESCRIPTION
1	K415176	LOOPER DRIVING CRANK WITH K500264-833 AND TWO K374099
2	K374099	LOOPER DRIVING CRANK POSITION SCREW (2)
3	K500264 -833	LOOPER DRIVING CRANK SET SCREW
4	K268102	LOOPER DRIVING CRANK OIL HOLE COVER
5	K414563	LOOPER DRIVING CRANK OIL HOLE COVER SCREW
6	K268139	LOOPER DRIVING CONNECTION WASHER
7	K414518	LOOPER DRIVING CONNECTION WASHER SCREW
8	K415210	FEED LIFTING ECCENTRIC WITH K268077 AND TWO K544208-005
9	K268077	FEED LIFTING ECCENTRIC LUBRICATING PAD (WOOD)
10	K544208 -005	FEED LIFTING ECCENTRIC SET SCREW (2)
11	K268074	FEED LIFTING CONNECTION
12	K415206	FEED LIFTING ROCK SHAFT CRANK WITH K414549 AND TWO K414511
13	K414511	FEED LIFTING ROCK SHAFT CRANK PINCH SCREW (2)
14	K414549	FEED LIFTING ROCK SHAFT CRANK POSITION SCREW
15	K415091	FEED LIFTING CONNECTION HINGE STUD WITH K268258
16	K268258	FEED LIFTING CONNECTION HINGE STUD OIL PACKING (WICK)
17	K541197	FEED LIFTING CONNECTION HINGE STUD NUT
18	K281216	BED SHAFT BALL BEARING
19	K281224	BED SHAFT BALL BEARING
20	K559038	BED SHAFT WITH K268044, K268214, K268265 AND K414578
21	K268265	BED SHAFT OIL CONTROL ROD (WOOD)
22	K268044	BED SHAFT OIL STOP BALL SPRING
23	K268214	BED SHAFT OIL STOP BALL 5/32 IN. DIA.
24	K414578	BED SHAFT OIL STOP BALL SCREW
25	K415215	FEED DRIVING ROCK SHAFT CRANK K415213 WITH K267609, K415091, K541197 AND K545297
26	K267608	FEED DRIVING CONNECTION
27	K271055	FEED DRIVING CONNECTION NEEDLE BEARING
28	K267609	FEED DRIVING CONNECTION K267608 WITH K271055
29	K415213	FEED DRIVING ROCK SHAFT CRANK WITH TWO K414511
30	K414511	FEED DRIVING ROCK SHAFT CRANK PINCH SCREW (2)
31	K415091	FEED DRIVING CONNECTION HINGE STUD WITH K268258
32	K268258	FEED DRIVING CONNECTION HINGE STUD OIL PACKING (WICK)
33	K541197	FEED DRIVING CONNECTION HINGE STUD NUT
34	K545297	FEED DRIVING CONNECTION CAP SCREW
35	K415082	FEED DRIVING ECCENTRIC COMPLETE, NOS. K267610, K268065, K268066, K412011 AND K415073
36	K415073	FEED DRIVING ECCENTRIC FLANGE K415074 WITH K267623 AND TWO EACH K241763, K374098, K414555 AND K414557
37	K415074	FEED DRIVING ECCENTRIC FLANGE
38	K414555	FEED DRIVING ECCENTRIC FLANGE SET SCREW (2)
39	K414557	FEED DRIVING ECCENTRIC FRICTION PLATE SCREW SET SCREW (2)
40	K241763	FEED DRIVING ECCENTRIC FRICTION PLATE SCREW SET SCREW PACKING (BRASS) (2)
41	K267623	FEED DRIVING ECCENTRIC FRICTION PLATE
42	K374098	FEED DRIVING ECCENTRIC FRICTION PLATE SCREW (2)
43	K267610	FEED DRIVING ECCENTRIC
44	K268065	FEED DRIVING ECCENTRIC ADJUSTING DISC
45	K268066	FEED DRIVING ECCENTRIC ADJUSTING DISC SPRING
46	K412011	FEED DRIVING ECCENTRIC ADJUSTING DISC SPRING COLLAR WITH TWO K544325
47	K544325	FEED DRIVING ECCENTRIC ADJUSTING DISC SPRING COLLAR SET SCREW (2)
48	K415187	SPREADER DRIVING ECCENTRIC WITH K543808-002 AND TWO K414528
49	K543808 -002	SPREADER DRIVING ECCENTRIC PIN
50	K414528	SPREADER DRIVING ECCENTRIC SET SCREW (2)
50	K414528	SPREADER DRIVING ECCENTRIC COUNTERBALANCE SET SCREW (2)
51	K268220	SPREADER DRIVING ECCENTRIC THRUST WASHER (2)
52	K281246	SPREADER DRIVING CONNECTION WITH K415368, K281248 AND K544201-001
53	K415368	SPREADER DRIVING CONNECTION NEEDLE BEARING
54	K281248	SPREADER DRIVING ROCK SHAFT SCREW STUD BALL ROLLER
55	K544203 -001	SPREADER DRIVING ROCK SHAFT SCREW STUD BALL ROLLER SET SCREW
56	K415190	SPREADER DRIVING ECCENTRIC COUNTERBALANCE WITH TWO K414528
57	K281292	BED SHAFT CONNECTION BELT PULLEY WITH TWO K414546
58	K414546	BED SHAFT CONNECTION BELT PULLEY SET SCREW (2)
59	K281294	BED SHAFT THRUST COLLAR WITH K272142 AND TWO K544209-005
60	K281295 -001	BED SHAFT THRUST COLLAR
61	K544209 -005	BED SHAFT THRUST COLLAR SET SCREW (2)
62	K272142	BED SHAFT THRUST COLLAR BALL BEARING
63	K559040	BED SHAFT PULLEY
64	K544209 -005	BED SHAFT PULLEY SET SCREW (2)

# FRONT ASSEMBLY SEWING BED



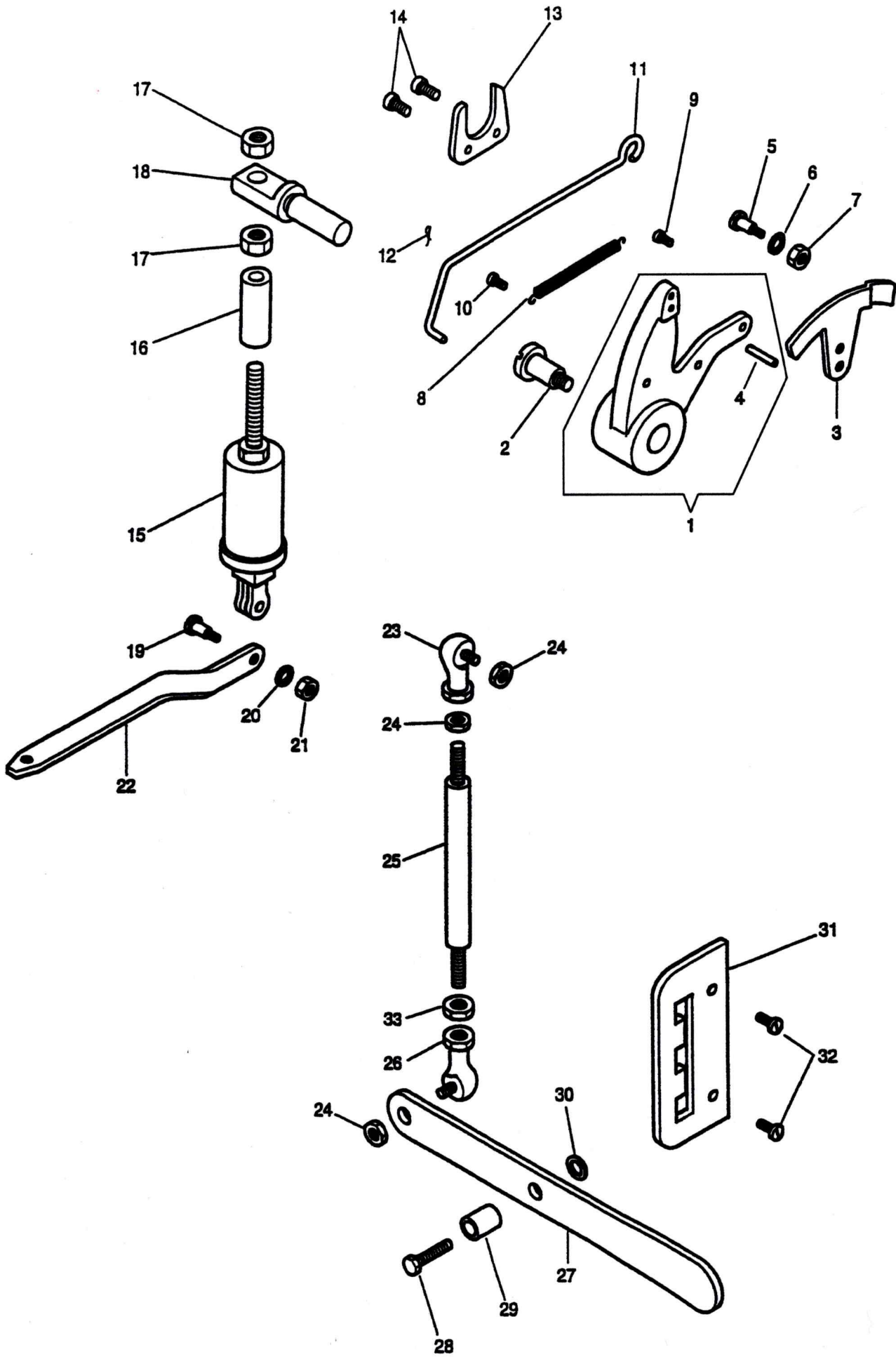
NO.	PART NO.	DESCRIPTION
1	K559061	FEED DOG
2	K267665	LOOP DEFLECTOR
3	K229	LOOP DEFLECTOR SCREW (2)
4	K559064	FEED DOG SHANK
5	K414559	FEED DOG SHANK ADJUSTING SCREW
6	K541200	FEED DOG SHANK ADJUSTING SCREW LOCK NUT
7	K414750 -002	FEED DOG SHANK SCREW
8	K543804 -004	FEED DOG SHANK SCREW WASHER
9	K374107 -003	FEED DOG SCREW (2)
10	K559049	FEED DRIVING ROCK FRAME
11	K549024	FEED DRIVING ROCK FRAME POSITION SCREW
12	K500264 -833	FEED DRIVING ROCK FRAME SET SCREW
13	K559051	FEED BAR HINGE PIN WITH K202330
14	K415297	FEED DRIVING ROCK SHAFT BUSHING (2)
14	K415297	FEED LIFTING ROCK SHAFT BUSHING (2)
15	K268070	FEED DRIVING ROCK SHAFT
16	K559046	FEED BAR
17	K544204 -001	FEED BAR SET SCREW (2)
18	K545213	FEED LIFTING LINK HINGE PIN SET SCREW
19	K268078	FEED LIFTING LINK
20	K268079	FEED LIFTING LINK HINGE PIN WITH K268258 (2)
21	K268258	FEED LIFTING LINK HINGE PIN OIL PACKING (WICK) (2)
22	K559052	FEED LIFTING ROCK SHAFT
23	K415065	FEED LIFTING ROCK SHAFT COLLAR WITH TWO K504020 (2)
24	K504020	FEED LIFTING ROCK SHAFT COLLAR SET SCREW (4)
25	K415204	FEED LIFTING CRANK WITH K350604 AND K545213
26	K350604	FEED LIFTING CRANK PINCH SCREW
27	K545213	FEED LIFTING LINK HINGE PIN SET SCREW
28	K281208	LOOPER AND NEEDLE GUARD COMPLETE, NOS. K268380 AND K281207
29	K268380	LOOPER WITH K141478 AND K141494
30	K281207	NEEDLE GUARD
31	K141478	NEEDLE GUARD SET SCREW (BACK)
32	K141494	NEEDLE GUARD SET SCREW (FRONT)
33	K281223	LOOPER DRIVING CONNECTION WITH K415500
34	K415500	LOOPER DRIVING CONNECTION BUSHING
35	K414516	LOOPER CARRIER CRANK HINGE PIN PINCH SCREW
36	K268208	LOOPER CARRIER CRANK HINGE PIN WITH K268258
37	K268258	LOOPER CARRIER CRANK HINGE PIN OIL PACKING (WICK)
38	K415174	LOOPER CARRIER CRANK WITH K414516
39	K415292	LOOPER CARRIER CRANK CLAMPING STUD
40	K541198	LOOPER CARRIER CRANK CLAMPING STUD NUT
41	K548459	LOOPER CARRIER CRANK CLAMPING STUD WASHER
42	K559041	LOOPER CARRIER WITH TWO K415500
43	K415500	LOOPER CARRIER BUSHING (2)
44	K559055	LOOPER HOLDER
45	K414558	LOOPER SET SCREW (2)
46	K414750 -002	LOOPER HOLDER SCREW
47	K543804 -004	LOOPER HOLDER SCREW WASHER
48	K269617	LOOPER CARRIER SHAFT
49	K415172	LOOPER CARRIER SHAFT COLLAR WITH TWO K544204-001
50	K544204 -001	LOOPER CARRIER SHAFT COLLAR SET SCREW (2)
51	K544209 -003	LOOPER CARRIER SHAFT SET SCREW
52	K559044	LOOPER CARRIER SHAFT SUPPORTING PLATE
53	K414518	LOOPER CARRIER SHAFT SUPPORTING PLATE SCREW (2)
54	K543805 -004	FEED DOG SHANK SCREW SPRING WASHER
55	K202330	FEED BAR HINGE PIN OIL WICK

# CROSS SHAFT IN SEWING BED



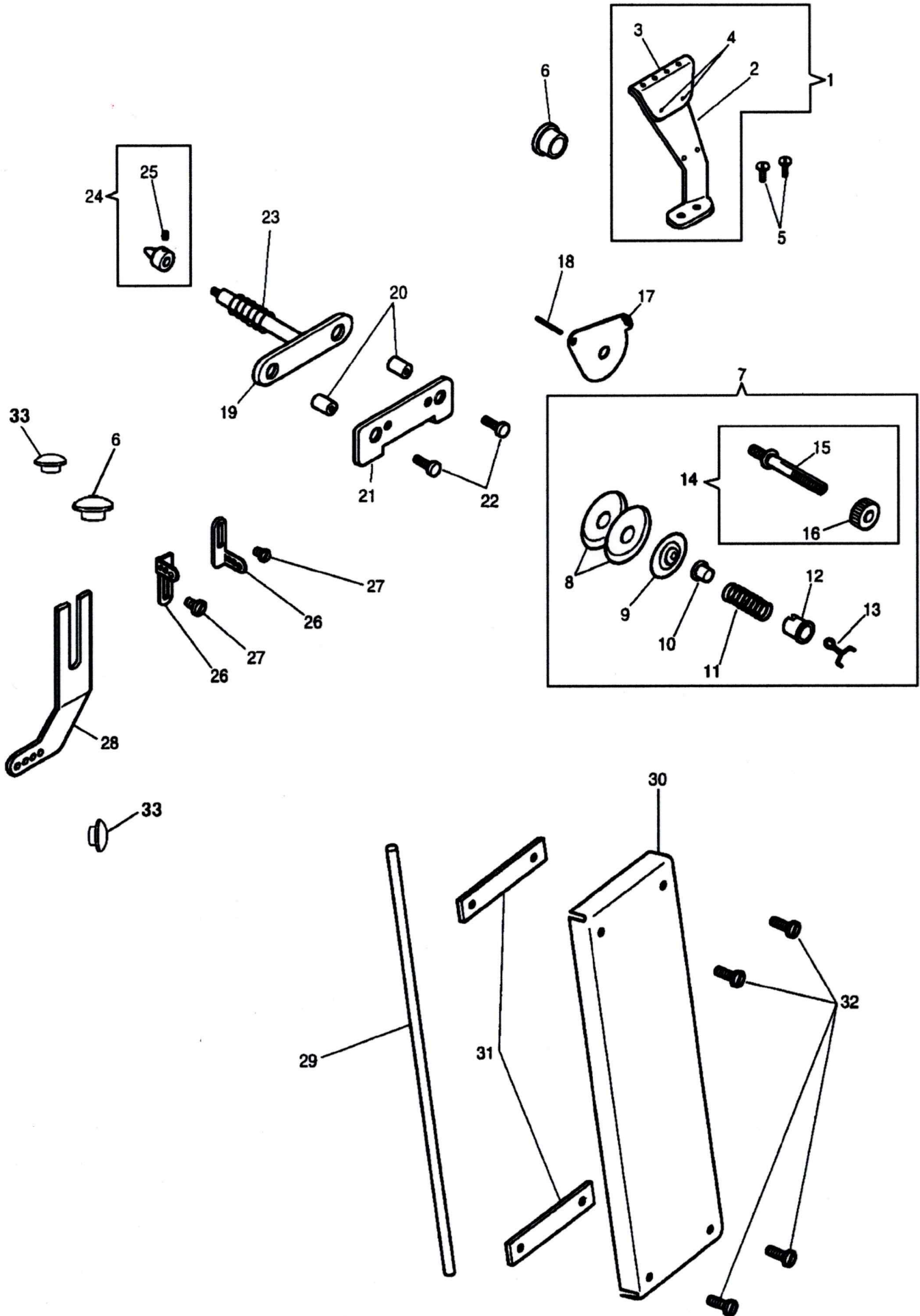
NO.	PART NO.	DESCRIPTION
1	K281975	SPREADER WITH K268162
2	K268162	SPREADER POINT
3	K414552	SPREADER SCREW
4	K547670	SPREADER SCREW WASHER
5	K415196	SPREADER HOLDER WITH TWO K414529
6	K414529	SPREADER HOLDER SET SCREW (2)
7	K268184	SPREADER BAR BRACKET
8	K414524	SPREADER BAR BRACKET SCREW (2)
9	K559065	SPREADER BAR
10	K268190	SPREADER DRIVING PIN
11	K415297	SPREADER DRIVING ROCK SHAFT BUSHING (2)
12	K415389	SPREADER DRIVING ROCK SHAFT WITH K504019
13	K415194	SPREADER DRIVING CRANK WITH TWO K544204-001
14	K544204 -001	SPREADER DRIVING CRANK SET SCREW (2)
15	K281249	SPREADER DRIVING ROCK SHAFT SCREW STUD WITH K32825
16	K32825	SPREADER DRIVING ROCK SHAFT SCREW STUD OIL PACKING (WICK)
17	K545424	SPREADER DRIVING ROCK SHAFT SCREW STUD NUT
18	K415065	SPREADER DRIVING ROCK SHAFT COLLAR WITH TWO K504020 (2)
19	K504020	SPREADER DRIVING ROCK SHAFT COLLAR SET SCREW (4)
20	K268052	LOOPER THREAD TAKE-UP ROD
21	K504019	LOOPER THREAD TAKE-UP ROD SET SCREW
22	K269619	LOOPER THREAD GUIDE (ON FRONT)
23	K414510	LOOPER THREAD GUIDE SCREW

# EXTERNAL PARTS SEWING ARM



NO.	PART NO.	DESCRIPTION
1	K281929	FOOT LIFTER LEVER WITH K543850-001
2	K201363	FOOT LIFTER LEVER HINGE SCREW
3	K267707	NEEDLE THREAD TENSION RELEASING PLATE (ADJUSTABLE)
4	K543850 -001	NEEDLE THREAD TENSION RELEASING PLATE PIN
5	K414577	FOOT LIFTER LEVER ROD HINGE SCREW
6	K543804 -004	FOOT LIFTER LEVER ROD HINGE SCREW WASHER
7	K541166 -003	FOOT LIFTER LEVER ROD HINGE SCREW NUT
8	K204348	FOOT LIFTER LEVER SPRING
9	K414570	FOOT LIFTER LEVER SPRING SCREW EYE
10	K544336	FOOT LIFTER LEVER SPRING SCREW
11	K267704	FOOT LIFTER LEVER ROD
12	K248423	FOOT LIFTER LEVER ROD COTTER PIN
13	K267650	PRESSER BAR SPRING HOUSING SUPPORT RETAINER
14	K545205 -451	PRESSER BAR SPRING HOUSING SUPPORT RETAINER SCREW (2)
15	K415106	PRESSER BAR SPRING HOUSING COMPLETE
16	K559077	PRESSER BAR SPRING HOUSING COLLAR
17	K541198	PRESSER BAR SPRING HOUSING NUT (2)
18	K267714	PRESSER BAR SPRING HOUSING SUPPORT
19	K414567	PRESSER BAR SPRING ARM HINGE SCREW
20	K543874 -005	PRESSER BAR SPRING ARM HINGE SCREW WASHER
21	K545405	PRESSER BAR SPRING ARM HINGE SCREW NUT
22	K267738	PRESSER BAR SPRING ARM
23	K412373	LIFTING ROD CONNECTION (UPPER)
24	K541166 -001	LIFTING ROD CONNECTION NUT (3)
25	K559068	LIFTING ROD
26	K559067	LIFTING ROD CONNECTION (LOWER)
27	K559069	LIFTING LEVER
28	K544499 -072	LIFTING LEVER HINGE SCREW
29	K559070	LIFTING LEVER HINGE SCREW COLLAR
30	K543874 -005	LIFTING LEVER HINGE SCREW WASHER
31	K559071	LIFTING LEVER LATCH PLATE
32	K414508	LIFTING LEVER LATCH PLATE SCREW (2)
33	K414774	LIFTING ROD NUT (LOWER)

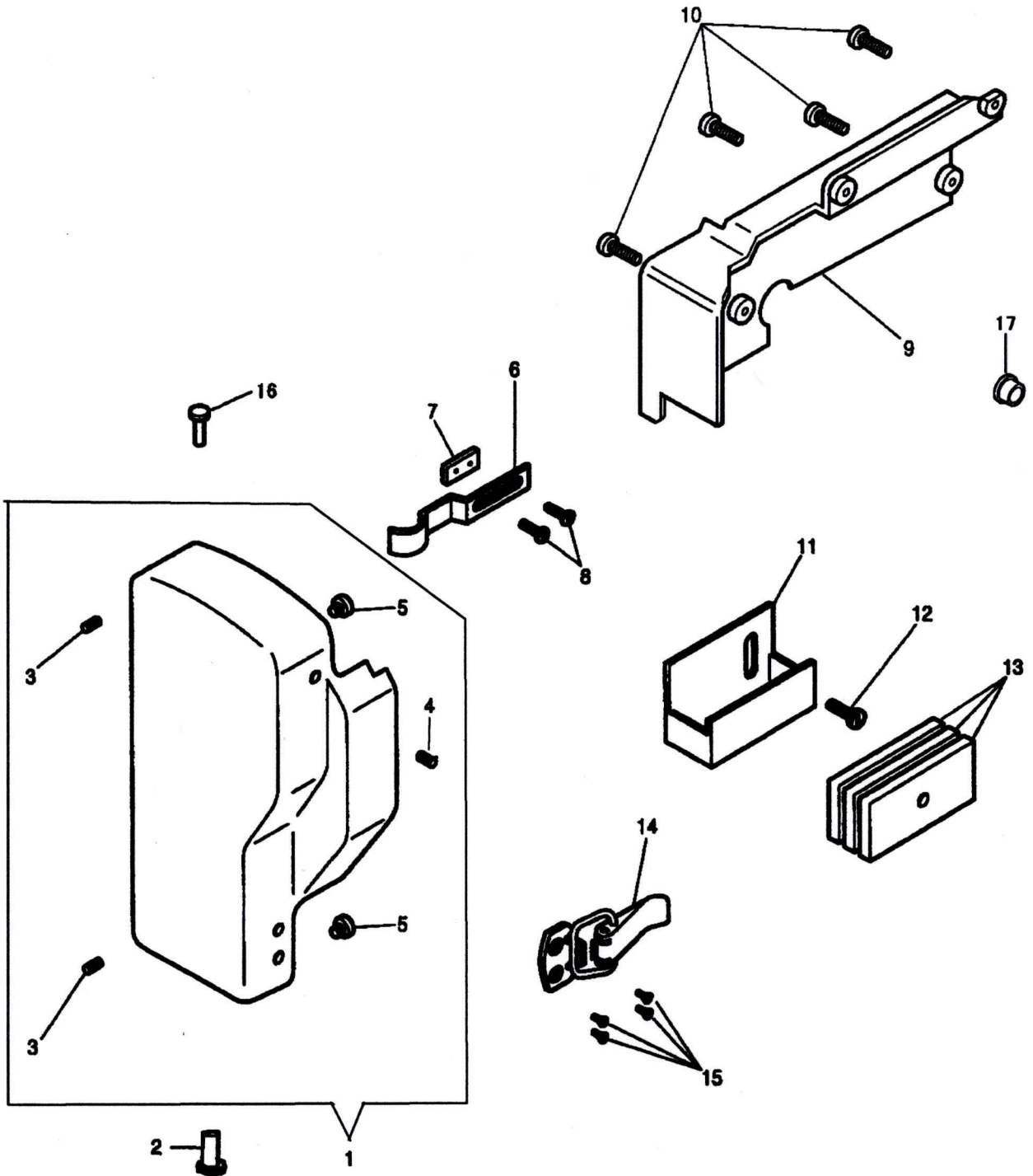
# EXTERNAL PARTS SEWING ARM





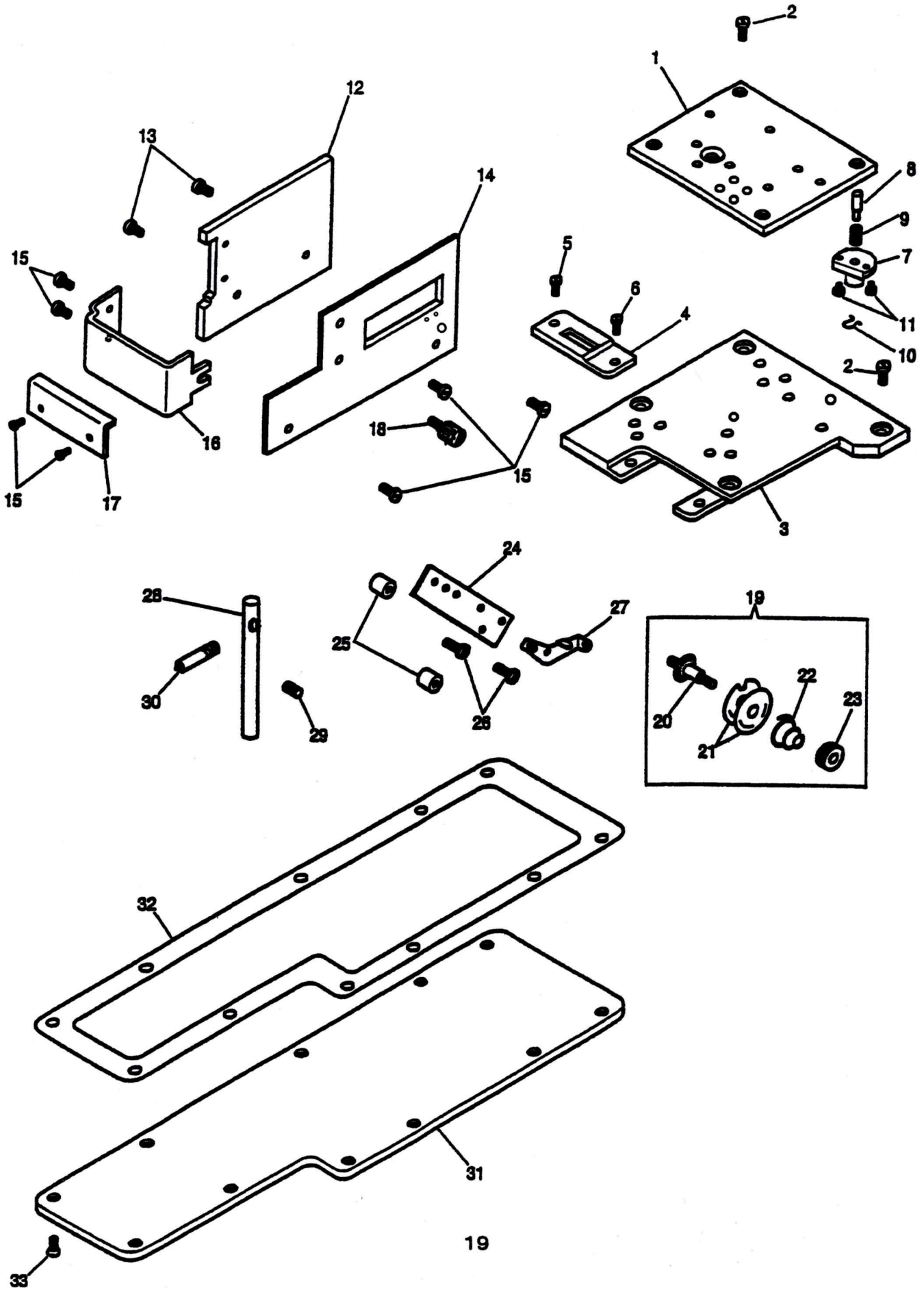
NO.	PART NO.	DESCRIPTION
1	K268506	LOOPER THREAD GUIDE (TOP OF ARM) BRACKET K268111 WITH K268505 AND TWO K50169
2	K268111	LOOPER THREAD GUIDE (TOP OF ARM) BRACKET
3	K268505	LOOPER THREAD GUIDE (TOP OF ARM)
4	K50169	LOOPER THREAD GUIDE (TOP OF ARM) BRACKET SCREW (2)
5	K414537	LOOPER THREAD GUIDE (TOP OF ARM) BRACKET SCREW (2)
6	K544875	ARM PLUG (2)
7	K267971	NEEDLE THREAD TENSION COMPLETE, NOS. K32572, K59538, K59539, K131741, K143657, K143658 AND TWO K2102
8	K2102	NEEDLE THREAD TENSION DISC (2)
9	K32572	NEEDLE THREAD TENSION RELEASING DISC
10	K59538	NEEDLE THREAD TENSION SPRING BUSHING (BACK)
11	K131741	NEEDLE THREAD TENSION SPRING
12	K143657	NEEDLE THREAD TENSION SPRING BUSHING (FRONT)
13	K143658	NEEDLE THREAD TENSION THUMB NUT LOCKING SPRING
14	K59539	NEEDLE THREAD TENSION STUD K50326 WITH K51570
15	K50326	NEEDLE THREAD TENSION STUD
16	K51570	NEEDLE THREAD TENSION THUMB NUT
17	K54279	NEEDLE THREAD TENSION THREAD GUIDE (DOUBLE)
18	K226206	NEEDLE THREAD TENSION RELEASING PIN
19	K415357	NEEDLE THREAD TENSION RELEASER
20	K543853 -003	NEEDLE THREAD TENSION BRACKET SPACING COLLAR (2)
21	K268167	NEEDLE THREAD TENSION BRACKET
22	K544336	NEEDLE THREAD TENSION BRACKET SCREW (2)
23	K204365	NEEDLE THREAD TENSION RELEASER SPRING
24	K415252	NEEDLE THREAD TENSION RELEASER CAP WITH K504048
25	K504048	NEEDLE THREAD TENSION RELEASER CAP SET SCREW
26	K268513	NEEDLE THREAD GUIDE (ON SIDE OF ARM) (2)
27	K414514	NEEDLE THREAD GUIDE SCREW (2)
28	K268312	NEEDLE THREAD GUIDE (ON ARM HEAD)
29	K268123	LOOPER THREAD TUBE
30	K415342 -451	LOOPER THREAD TUBE COVER
31	K268500	LOOPER THREAD TUBE COVER CUSHION (2)
32	K414639	LOOPER THREAD TUBE COVER SCREW (4)
33	K502986	ARM PLUG (2)

# EXTERNAL PARTS SEWING ARM



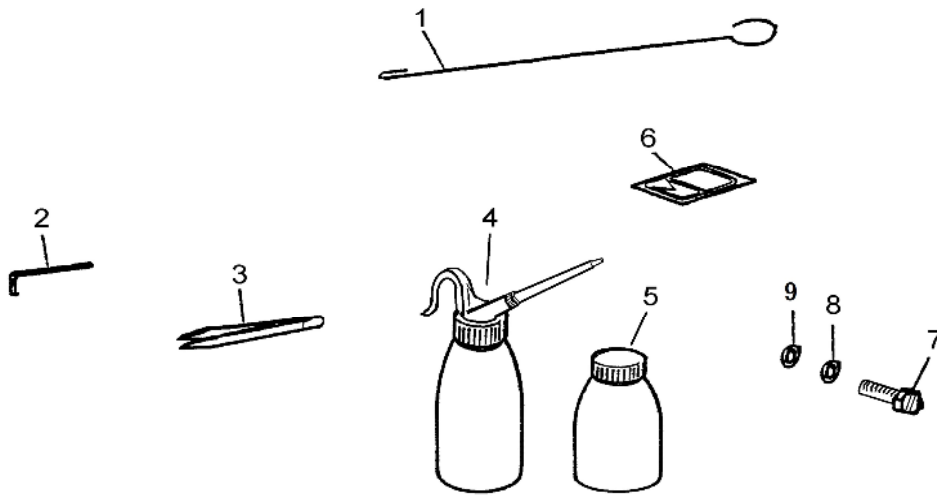
NO.	PART NO.	DESCRIPTION
1	KE0021	FACE PLATE WITH K268033 AND TWO EACH K228661 AND K545174-452
2	K268330	FACE PLATE HINGE STUD
3	K545174 -452	FACE PLATE HINGE STUD SET SCREW (2)
4	K268033	FACE PLATE LOCK STUD
5	K228661	FACE PLATE CUSHION (NEOPRENE) (2)
6	K268032	FACE PLATE LOCK SPRING
7	K415016	FACE PLATE LOCK SPRING PLATE
8	K414534	FACE PLATE LOCK SPRING SCREW (2)
9	KE0072	ARM SIDE COVER
10	K545246 -452	ARM SIDE COVER SCREW (4)
11	K267656 -452	THREAD LUBRICATOR
12	K504019	THREAD LUBRICATOR SCREW
13	K236957	THREAD LUBRICATOR OIL PAD (FELT) (3)
14	K559032	FACE PLATE LOCKER
15	K374397 -002	FACE PLATE LOCKER SCREW (4)
16	KE0007	FACE PLATE HINGE STUD
17	KE0357	ARM PLUG

# EXTERNAL PARTS SEWING ARM



NO.	PART NO.	DESCRIPTION
1	KE0073	BED PLATE (RIGHT)
2	K414508	BED PLATE SCREW (8)
3	KE0037	BED PLATE (LEFT)
4	KE0071	THROAT PLATE
5	K374107 -001	THROAT PLATE SCREW (BACK)
6	K414518	THROAT PLATE SCREW (FRONT)
7	KE0075	FEED REGULATING STUD SOCKET
8	K268081	FEED REGULATING STUD
9	K270026	FEED REGULATING STUD SPRING
10	K240245	FEED REGULATING STUD RETAINING SPRING
11	K545249 -452	FEED REGULATING STUD SOCKET SCREW
12	K559075	BED COVER (BACK)
13	K414520	BED COVER (BACK) SCREW (2)
14	KE0068	BED COVER (FRONT)
15	K544217 -052	BED COVER SCREW (7)
16	K559072	LOOPER COVER
17	K559074	BED COVER (LEFT)
18	K559073	LOOPER COVER THUMB SCREW
19	K415294	LOOPER THREAD TENSION COMPLETE, NOS. K10148, K415291, K541452 AND TWO K412203
20	K415291	LOOPER THREAD TENSION STUD
21	K412203	LOOPER THREAD TENSION DISC (2)
22	K10148	LOOPER THREAD TENSION SPRING
23	K541452	LOOPER THREAD TENSION THUMB NUT
24	K415255	LOOPER THREAD TENSION BRACKET
25	K543853 -003	LOOPER THREAD TENSION BRACKET SPACING COLLAR (2)
26	K414532	LOOPER THREAD TENSION BRACKET SCREW (2)
27	K268333	LOOPER THREAD TENSION THREAD GUIDE
28	K52239	LOOPER THREAD GUIDE
29	K544211 -052	LOOPER THREAD GUIDE SET SCREW
30	K559078	LOOPER THREAD GUIDE (PIPE)
31	K559033	BOTTOM PLATE
32	K559034	BOTTOM PLATE GASKET
33	K414533	BOTTOM PLATE SCREW (6)

# ACCESSORIES



NO.	PART NO.	DESCRIPTION
1	K415377	THREAD WIRE
2	K21887	WRENCH
3	K543162	TWEEZERS
4	KE0053	OILER
5	KE0117	BOTTLE WITH OIL (100cc)
6	KN4112-01 -23	NEEDLE (62X59) SIZE 23 (5)
7	KE0015	BOLT (4)
8	KE0016	WASHER (4)
9	KE0017	SPRING WASHER (4)

## NUMERICAL PARTS LIST

PART NO.	DESCRIPTION	PAGE	NO.
K229	LOOP DEFLECTOR SCREW (2)	10	3
K2102	NEEDLE THREAD TENSION DISC (2)	16	8
K10148	LOOPER THREAD TENSION SPRING	20	22
K21887	WRENCH	21	2
K32572	NEEDLE THREAD TENSION RELEASING DISC	16	9
K32788	LIFTING ROCK SHAFT CRANK WITH K141424	6	2
K32789	LIFTING ROCK SHAFT K267633 WITH K32788 AND K548035	6	1
K32825	SPREADER DRIVING ROCK SHAFT SCREW STUD OIL PACKING (WICK)	12	16
K32848	ARM SHAFT BALL BEARING (FRONT)	2	2
K50169	LOOPER THREAD GUIDE (TOP OF ARM) BRACKET SCREW (2)	16	4
K50326	NEEDLE THREAD TENSION STUD	16	15
K51570	NEEDLE THREAD TENSION THUMB NUT	16	16
K52239	LOOPER THREAD GUIDE	20	28
K54279	NEEDLE THREAD TENSION THREAD GUIDE (DOUBLE)	16	17
K59538	NEEDLE THREAD TENSION SPRING BUSHING (BACK)	16	10
K59539	NEEDLE THREAD TENSION STUD K50326 WITH K51570	16	14
K131741	NEEDLE THREAD TENSION SPRING	16	11
K141338	LIFTING CRANK SET SCREW	4	5
K141424	LIFTING LINK HINGE PIN SET SCREW	4	6
K141424	LIFTING LINK HINGE PIN SET SCREW	6	5
K141478	NEEDLE GUARD SET SCREW (BACK)	10	31
K141494	NEEDLE GUARD SET SCREW (FRONT)	10	32
K143657	NEEDLE THREAD TENSION SPRING BUSHING (FRONT)	16	12
K143658	NEEDLE THREAD TENSION THUMB NUT LOCKING SPRING	16	13
K201363	FOOT LIFTER LEVER HINGE SCREW	14	2
K202253	ARM SHAFT CONNECTION BELT PULLEY SPRING FLANGE (2)	2	43
K202330	NEEDLE BAR CONNECTING STUD OIL PACKING (WICK)	4	23
K202330	FEED BAR HINGE PIN WICK	10	55
K204348	FOOT LIFTER LEVER SPRING	14	8
K204365	NEEDLE THREAD TENSION RELEASER SPRING	16	23
K214529	NEEDLE BAR ROCK FRAME REGULATING STUD SPRING	6	21
K226206	NEEDLE THREAD TENSION RELEASING PIN	16	18
K228661	FACE PLATE CUSHION (NEOPRENE) (2)	18	5
K236957	THREAD LUBRICATOR OIL PAD (FELT) (3)	18	13
K240245	FEED REGULATING STUD RETAINING SPRING	20	10
K241763	NEEDLE BAR ROCK FRAME DRIVING ECCENTRIC FRICTION PLATE SCREW SET SCREW PACKING (BRASS) (2)	2	28
K241763	LIFTING ECCENTRIC FRICTION PLATE SCREW SET SCREW PACKING (BRASS) (2)	2	28
K241763	FEED DRIVING ECCENTRIC FRICTION PLATE SCREW SET SCREW PACKING (BRASS) (2)	8	40
K248423	FOOT LIFTER LEVER ROD COTTER PIN	14	12
K267110	LIFTING ROCK SHAFT NEEDLE BEARING (2)	6	6
K267608	NEEDLE BAR ROCK FRAME DRIVING CONNECTION	2	18
K267608	FEED DRIVING CONNECTION	8	26
K267609	NEEDLE BAR ROCK FRAME DRIVING CONNECTION K267608 WITH K271055	2	20
K267609	FEED DRIVING CONNECTION K267608 WITH K271055	8	28
K267610	NEEDLE BAR ROCK FRAME DRIVING ECCENTRIC	2	21
K267610	LIFTING ECCENTRIC	2	21
K267610	FEED DRIVING ECCENTRIC	8	43
K267612	FOOT LIFTER CRANK	6	30
K267617	LIFTING ECCENTRIC CONNECTION HINGE PIN WITH K268258	4	1
K267617	LIFTING LINK HINGE PIN WITH K268258	4	1
K267617	LIFTING ECCENTRIC CONNECTION HINGE PIN WITH K268258	6	12
K267618	LIFTING ECCENTRIC ADJUSTING DISC SPRING	2	30
K267623	NEEDLE BAR ROCK FRAME DRIVING ECCENTRIC FRICTION PLATE	2	25
K267623	LIFTING ECCENTRIC FRICTION PLATE	2	25
K267623	FEED DRIVING ECCENTRIC FRICTION PLATE	8	41
K267626	LIFTING LEVER HINGE STUD	4	8
K267627	LIFTING LINK	4	3
K267628	LIFTING PRESSER BAR	4	40
K267631	LIFTING PRESSER BAR LIFTING CRANK WITH K268258	4	15
K267633	LIFTING ROCK SHAFT	6	3
K267650	PRESSER BAR SPRING HOUSING SUPPORT RETAINER	14	13
K267656 -452	THREAD LUBRICATOR	18	11
K267657	VIBRATING PRESSER BAR	4	26
K267658	VIBRATING PRESSER BAR HINGE STUD	4	27
K267665	LOOP DEFLECTOR	10	2
K267704	FOOT LIFTER LEVER ROD	14	11
K267707	NEEDLE THREAD TENSION RELEASING PLATE (ADJUSTABLE)	14	3
K267714	PRESSER BAR SPRING HOUSING SUPPORT	14	18

## NUMERICAL PARTS LIST

PART NO.	DESCRIPTION	PAGE	NO.
K267718	PRESSER BAR SPRING ARM BALL RETAINER	4	10
K267738	PRESSER BAR SPRING ARM	14	22
K267907	LIFTING PRESSER BAR GUIDE ROD	4	44
K267971	NEEDLE THREAD TENSION COMPLETE, NOS. K32572, K59538, K59539, K131741, K143657, K143658 AND TWO K2102	16	7
K268004 -451	ARM SHAFT BALL BEARING (BACK) HOUSING	2	44
K268009	ARM SHAFT OIL STOP BALL SPRING (FRONT)	2	12
K268029	NEEDLE BAR ROCK FRAME NEEDLE BEARING (2)	4	32
K268032	FACE PLATE LOCK SPRING	18	6
K268033	FACE PLATE LOCK STUD	18	4
K268044	ARM SHAFT OIL STOP BALL SPRING (REAR)	2	15
K268044	BED SHAFT OIL STOP BALL SPRING	8	22
K268052	LOOPER THREAD TAKE-UP ROD	12	20
K268065	NEEDLE BAR ROCK FRAME DRIVING ECCENTRIC ADJUSTING DISC	2	29
K268065	LIFTING ECCENTRIC ADJUSTING DISC	2	29
K268065	FEED DRIVING ECCENTRIC ADJUSTING DISC	8	44
K268066	FEED DRIVING ECCENTRIC ADJUSTING DISC SPRING	8	45
K268070	FEED DRIVING ROCK SHAFT	10	15
K268074	FEED LIFTING CONNECTION	8	11
K268077	FEED LIFTING ECCENTRIC LUBRICATING PAD (WOOD)	8	9
K268078	FEED LIFTING LINK	10	19
K268079	FEED LIFTING LINK HINGE PIN WITH K268258 (2)	10	20
K268081	FEED REGULATING STUD	20	8
K268102	LOOPER DRIVING CRANK OIL HOLE COVER	8	4
K268111	LOOPER THREAD GUIDE (TOP OF ARM) BRACKET	16	2
K268123	LOOPER THREAD TUBE	16	29
K268139	NEEDLE BAR CONNECTING LINK CAP WASHER	4	18
K268139	LOOPER DRIVING CONNECTION WASHER	8	6
K268144	NEEDLE BAR OILING FELT (2)	4	33
K268148	NEEDLE BAR ROCK FRAME REGULATING STUD	6	22
K268149	NEEDLE BAR ROCK FRAME REGULATING STUD SLEEVE	6	20
K268162	SPREADER POINT	12	2
K268167	NEEDLE THREAD TENSION BRACKET	16	21
K268184	SPREADER BAR BRACKET	12	7
K268190	SPREADER DRIVING PIN	12	10
K268208	LOOPER CARRIER CRANK HINGE PIN WITH K268258	10	36
K268214	ARM SHAFT OIL STOP BALL 5/32 IN. DIA. (2)	2	13
K268214	BED SHAFT OIL STOP BALL 5/32 IN. DIA.	8	23
K268219	NEEDLE BAR ROCK FRAME THREAD GUIDE	4	36
K268220	SPREADER DRIVING ECCENTRIC THRUST WASHER (2)	8	51
K268258	LIFTING ECCENTRIC CONNECTION HINGE PIN OIL PACKING (WICK)	4	2
K268258	LIFTING LINK HINGE PIN OIL PACKING (WICK)	4	2
K268258	LIFTING PRESSER BAR LIFTING CRANK OIL PACKING (WICK)	4	16
K268258	LIFTING ECCENTRIC CONNECTION HINGE PIN OIL PACKING (WICK)	6	13
K268258	NEEDLE BAR ROCK FRAME DRIVING CONNECTION HINGE STUD OIL PACKING (WICK)	6	25
K268258	FEED LIFTING CONNECTION HINGE STUD OIL PACKING (WICK)	8	16
K268258	FEED DRIVING CONNECTION HINGE STUD OIL PACKING (WICK)	8	32
K268258	FEED LIFTING LINK HINGE PIN OIL PACKING (WICK) (2)	10	21
K268258	LOOPER CARRIER CRANK HINGE PIN OIL PACKING (WICK)	10	37
K268264	ARM SHAFT OIL CONTROL ROD (WOOD)	2	11
K268265	BED SHAFT OIL CONTROL ROD (WOOD)	8	21
K268270	ARM SHAFT CONNECTION BELT (REINFORCED NEOPRENE)	2	40
K268278	NEEDLE BAR OILING FELT HOLDER (2)	4	34
K268312	NEEDLE THREAD GUIDE (ON ARM HEAD)	16	28
K268330	FACE PLATE HINGE STUD	18	2
K268333	LOOPER THREAD TENSION THREAD GUIDE	20	27
K268380	LOOPER WITH K141478 AND K141494	10	29
K268490	LIFTING ECCENTRIC CONNECTION	2	35
K268491	LIFTING ECCENTRIC CONNECTION K268490 WITH K271055	2	37
K268500	LOOPER THREAD TUBE COVER CUSHION (2)	16	31
K268505	LOOPER THREAD GUIDE (TOP OF ARM)	16	3
K268506	LOOPER THREAD GUIDE (TOP OF ARM) BRACKET K268111 WITH K268505 AND TWO K50169	16	1
K268512	NEEDLE THREAD GUIDE (ON NEEDLE BAR CONNECTING STUD)	4	21
K268513	NEEDLE THREAD GUIDE (ON SIDE OF ARM) (2)	16	26
K269617	LOOPER CARRIER SHAFT	10	48
K269619	LOOPER THREAD GUIDE (ON FRONT)	12	22
K270026	FEED REGULATING STUD SPRING	20	9
K270266	NEEDLE BAR CONNECTING LINK NEEDLE BEARING (2)	4	20
K271055	NEEDLE BAR ROCK FRAME DRIVING CONNECTION NEEDLE BEARING	2	19



## NUMERICAL PARTS LIST

PART NO.	DESCRIPTION	PAGE	NO.
K271055	LIFTING ECCENTRIC CONNECTION NEEDLE BEARING	2	36
K271055	FEED DRIVING CONNECTION NEEDLE BEARING	8	27
K272142	ARM SHAFT BALL BEARING (BACK)	2	51
K272142	BED SHAFT THRUST COLLAR BALL BEARING	8	62
K276025	PRESSER BAR SPRING ARM BALL	4	13
K281207	NEEDLE GUARD	10	30
K281208	LOOPER AND NEEDLE GUARD COMPLETE, NOS. K268380 AND K281207	10	28
K281216	BED SHAFT BALL BEARING	8	18
K281223	LOOPER DRIVING CONNECTION WITH K415500	10	33
K281224	BED SHAFT BALL BEARING	8	19
K281239	NEEDLE BAR CRANK COMPLETE, NOS. K415138, K32848, K281258, KE0099 AND TWO K545205-451	2	3
K281246	SPREADER DRIVING CONNECTION WITH K415368, K281248 AND K544201-001	8	52
K281248	SPREADER DRIVING ROCK SHAFT SCREW STUD BALL ROLLER	8	54
K281249	SPREADER DRIVING ROCK SHAFT SCREW STUD WITH 32825	12	15
K281256	COUNTERBALANCE WITH TWO K544208-005	2	38
K281258	NEEDLE BAR CRANK OIL PACKING (WICK)	2	9
K281290	ARM SHAFT CONNECTION BELT PULLEY WITH TWO EACH K414546 AND K202253	2	41
K281292	BED SHAFT CONNECTION BELT PULLEY WITH TWO K414546	8	57
K281294	ARM SHAFT THRUST COLLAR WITH K272142 AND TWO K544209-005	2	50
K281294	BED SHAFT THRUST COLLAR WITH K272142 AND TWO K544209-005	8	59
K281295 -001	ARM SHAFT THRUST COLLAR	2	52
K281295 -001	BED SHAFT THRUST COLLAR	8	60
K281296 -467	MACHINE PULLEY WITH K414525 AND K414526	2	46
K281297 -467	MACHINE PULLEY	2	47
K281912	NEEDLE BAR	4	28
K281914	NEEDLE BAR CONNECTING STUD WITH K202330, K414545 AND TWO K414511	4	22
K281916	NEEDLE BAR CONNECTING LINK WITH TWO K270266	4	19
K281927	PRESSER BAR SPRING ARM FULCRUM	6	31
K281929	FOOT LIFTER LEVER WITH K543850-001	14	1
K281975	SPREADER WITH K268162	12	1
K350604	PRESSER BAR SPRING ARM FULCRUM SET SCREW (2)	6	33
K350604	FEED LIFTING CRANK PINCH SCREW	10	26
K374098	NEEDLE BAR ROCK FRAME DRIVING ECCENTRIC FRICTION PLATE SCREW (2)	2	26
K374098	LIFTING ECCENTRIC FLANGE FRICTION PLATE SCREW (2)	2	33
K374098	FEED DRIVING ECCENTRIC FRICTION PLATE SCREW (2)	8	42
K374099	LOOPER DRIVING CRANK POSITION SCREW (2)	8	2
K374107 -001	THROAT PLATE SCREW (BACK)	20	5
K374107 -003	FEED DOG SCREW (2)	10	9
K374397 -002	FACE PLATE LOCKER SCREW (4)	18	15
K412011	FEED DRIVING ECCENTRIC ADJUSTING DISC SPRING COLLAR WITH TWO K544325	8	46
K412203	LOOPER THREAD TENSION DISC (2)	20	21
K412373	LIFTING ROD CONNECTION (UPPER)	14	23
K414504	LIFTING ROCK SHAFT BRACKET SCREW (2)	6	15
K414508	LIFTING LEVER LATCH PLATE SCREW (2)	14	32
K414508	BED PLATE SCREW (8)	20	2
K414509	LIFTING ECCENTRIC CONNECTION CRANK PINCH SCREW (2)	6	10
K414509	FOOT LIFTER ARM PINCH SCREW	6	35
K414510	LOOPER THREAD GUIDE SCREW	12	23
K414511	LIFTING CRANK PINCH SCREW (2)	4	7
K414511	NEEDLE BAR CONNECTING STUD PINCH SCREW (2)	4	24
K414511	FEED LIFTING ROCK SHAFT CRANK PINCH SCREW (2)	8	13
K414511	FEED DRIVING ROCK SHAFT CRANK PINCH SCREW (2)	8	30
K414512	LIFTING PRESSER BAR GUIDE BLOCK PINCH SCREW	4	43
K414514	NEEDLE THREAD GUIDE SCREW (2)	16	27
K414516	LIFTING PRESSER BAR GUIDE BLOCK ADJUSTING SCREW	4	42
K414516	LOOPER CARRIER CRANK HINGE PIN PINCH SCREW	10	35
K414517	NEEDLE BAR CONNECTING LINK CAP WASHER SCREW	4	17
K414518	LOOPER DRIVING CONNECTION WASHER SCREW	8	7
K414518	LOOPER CARRIER SHAFT SUPPORTING PLATE SCREW (2)	10	53
K414518	THROAT PLATE SCREW (FRONT)	20	6
K414519	NEEDLE SET SCREW	4	29
K414520	BED COVER (BACK) SCREW (2)	20	13
K414522	NEEDLE BAR OILING FELT HOLDER SCREW (2)	4	35
K414524	SPREADER BAR BRACKET SCREW (2)	12	8
K414525	MACHINE PULLEY SET SCREW	2	48
K414526	MACHINE PULLEY POSITION SCREW	2	49
K414527	NEEDLE BAR ROCK FRAME REGULATING STUD SLEEVE SET SCREW	6	23
K414528	NEEDLE BAR ROCK FRAME REGULATING STUD CAP SET SCREW	6	19

## NUMERICAL PARTS LIST

PART NO.	DESCRIPTION	PAGE	NO.
K414528	SPREADER DRIVING ECCENTRIC SET SCREW (2)	8	50
K414528	SPREADER DRIVING ECCENTRIC COUNTERBALANCE SET SCREW (2)	8	50
K414529	NEEDLE BAR ROCK FRAME DRIVING ECCENTRIC SPACING COLLAR SET SCREW (2)	2	17
K414529	LIFTING ECCENTRIC SPACING COLLAR SET SCREW (2)	2	17
K414529	SPREADER HOLDER SET SCREW (2)	12	6
K414532	LOOPER THREAD TENSION BRACKET SCREW (2)	20	26
K414533	BOTTOM PLATE SCREW (6)	20	33
K414534	FACE PLATE LOCK SPRING SCREW (2)	18	8
K414537	LOOPER THREAD GUIDE (TOP OF ARM) BRACKET SCREW (2)	16	5
K414539	NEEDLE BAR ROCK FRAME THREAD GUIDE SCREW (2)	4	37
K414543	LIFTING ECCENTRIC CONNECTION HINGE PIN PINCH SCREW	6	11
K414545	NEEDLE THREAD GUIDE (ON NEEDLE BAR CONNECTING STUD) SET SCREW	4	25
K414546	ARM SHAFT CONNECTION BELT PULLEY SET SCREW (2)	2	43
K414546	BED SHAFT CONNECTION BELT PULLEY SET SCREW (2)	8	58
K414548	PRESSER BAR SPRING ARM BALL RETAINER SCREW (2)	4	11
K414549	FEED LIFTING ROCK SHAFT CRANK POSITION SCREW	8	14
K414552	SPREADER SCREW	12	3
K414555	NEEDLE BAR ROCK FRAME DRIVING ECCENTRIC FLANGE SET SCREW (2)	2	24
K414555	LIFTING ECCENTRIC FLANGE SET SCREW (2)	2	24
K414555	FEED DRIVING ECCENTRIC FLANGE SET SCREW (2)	8	38
K414557	NEEDLE BAR ROCK FRAME DRIVING ECCENTRIC FRICTION PLATE SCREW SET SCREW (2)	2	27
K414557	LIFTING ECCENTRIC FRICTION PLATE SCREW SET SCREW (2)	2	27
K414557	FEED DRIVING ECCENTRIC FRICTION PLATE SCREW SET SCREW (2)	8	39
K414558	LOOPER SET SCREW (2)	10	45
K414559	FEED DOG SHANK ADJUSTING SCREW	10	5
K414563	LOOPER DRIVING CRANK OIL HOLE COVER SCREW	8	5
K414566	FOOT LIFTER CRANK STOP SCREW STUD	6	32
K414567	PRESSER BAR SPRING ARM HINGE SCREW	14	19
K414570	FOOT LIFTER LEVER SPRING SCREW EYE	14	9
K414577	FOOT LIFTER LEVER ROD HINGE SCREW	14	5
K414578	ARM SHAFT OIL STOP BALL SCREW (2)	2	14
K414578	BED SHAFT OIL STOP BALL SCREW	8	24
K414638	VIBRATING PRESSER FOOT PINCH SCREW	4	39
K414638	LIFTING PRESSER FOOT PINCH SCREW	4	48
K414639	LOOPER THREAD TUBE COVER SCREW (4)	16	32
K414750 -002	FEED DOG SHANK SCREW	10	7
K414750 -002	LOOPER HOLDER SCREW	10	46
K414750 -004	PRESSER BAR SPRING ARM FULCRUM SCREW	6	37
K414774	LIFTING ROD NUT (LOWER)	14	33
K414790	NEEDLE BAR ROCK FRAME DRIVING ARM PINCH SCREW (2)	6	29
K415016	FACE PLATE LOCK SPRING PLATE	18	7
K415045	NEEDLE BAR ROCK FRAME	4	31
K415059	LIFTING PRESSER BAR GUIDE BLOCK WITH K414512 AND K414516	4	41
K415061	LIFTING CRANK WITH K141424, K141338 AND TWO K414511	4	4
K415065	LIFTING ROCK SHAFT COLLAR WITH TWO K504020	6	7
K415065	FEED LIFTING ROCK SHAFT COLLAR WITH TWO K504020 (2)	10	23
K415065	SPREADER DRIVING ROCK SHAFT COLLAR WITH TWO K504020 (2)	12	18
K415067	LIFTING LEVER WITH TWO KE0008	4	12
K415069	LIFTING ECCENTRIC CONNECTION CRANK WITH K414543 AND TWO K414509	6	9
K415071 -451	LIFTING ROCK SHAFT BRACKET	6	14
K415073	FEED DRIVING ECCENTRIC FLANGE K415074 WITH K267623 AND TWO EACH K241763, K374098, K414555 AND K414557	8	36
K415074	FEED DRIVING ECCENTRIC FLANGE	8	37
K415076	LIFTING ECCENTRIC FLANGE K415077 WITH K267623 AND TWO EACH K241763, K374098, K414555 AND K414557	2	31
K415077	LIFTING ECCENTRIC FLANGE	2	32
K415078	NEEDLE BAR ROCK FRAME DRIVING ECCENTRIC FLANGE K415079 WITH K267623 AND TWO EACH K241763, K374098, K414555 AND K414557	2	22
K415079	NEEDLE BAR ROCK FRAME DRIVING ECCENTRIC FLANGE	2	23
K415081	LIFTING ECCENTRIC AND NEEDLE BAR ROCK FRAME DRIVING ECCENTRIC COMPLETE, NOS. K267618, K415076, K415078 AND TWO EACH K267610, K268065	2	34
K415082	FEED DRIVING ECCENTRIC COMPLETE, NOS. K267610, K268065, K268066, K412011 AND K415073	8	35
K415091	NEEDLE BAR ROCK FRAME DRIVING CONNECTION HINGE STUD WITH K268258	6	24
K415091	FEED LIFTING CONNECTION HINGE STUD WITH K268258	8	15
K415091	FEED DRIVING CONNECTION HINGE STUD WITH K268258	8	31
K415094 -451	NEEDLE BAR ROCK FRAME DRIVING ARM WITH TWO K414790	6	28
K415098	NEEDLE BAR ROCK FRAME REGULATING STUD COMPLETE, NOS. K214529, K415099, K268148 AND K268149	6	17
K415099	NEEDLE BAR ROCK FRAME REGULATING STUD CAP WITH K414528	6	18
K415106	PRESSER BAR SPRING HOUSING COMPLETE	14	15

## NUMERICAL PARTS LIST

PART NO.	DESCRIPTION	PAGE	NO.
K415122	FOOT LIFTER ARM WITH K414509 AND K545213	6	34
K415128	ARM SHAFT WITH K268009, K268044, K268264, TWO EACH K268214 AND K414578	2	10
K415138	NEEDLE BAR CRANK WITH K500272-833, K544358 AND K549024	2	1
K415172	LOOPER CARRIER SHAFT COLLAR WITH TWO K544204-001	10	49
K415174	LOOPER CARRIER CRANK WITH K414516	10	38
K415176	LOOPER DRIVING CRANK WITH K500264-833 AND TWO K374099	8	1
K415187	SPREADER DRIVING ECCENTRIC WITH K543808-002 AND TWO K414528	8	48
K415190	SPREADER DRIVING ECCENTRIC COUNTERBALANCE WITH TWO K414528	8	56
K415194	SPREADER DRIVING CRANK WITH TWO K544204-001	12	13
K415196	SPREADER HOLDER WITH TWO K414529	12	5
K415204	FEED LIFTING CRANK WITH K350604 AND K545213	10	25
K415206	FEED LIFTING ROCK SHAFT CRANK WITH K414549 AND TWO K414511	8	12
K415210	FEED LIFTING ECCENTRIC WITH K268077 AND TWO K544208-005	8	8
K415213	FEED DRIVING ROCK SHAFT CRANK WITH TWO K414511	8	29
K415215	FEED DRIVING ROCK SHAFT CRANK K415213 WITH K267609, K415091, K541197 AND K545297	8	25
K415252	NEEDLE THREAD TENSION RELEASER CAP WITH K504048	16	24
K415255	LOOPER THREAD TENSION BRACKET	20	24
K415291	LOOPER THREAD TENSION STUD	20	20
K415292	LOOPER CARRIER CRANK CLAMPING STUD	10	39
K415294	LOOPER THREAD TENSION COMPLETE, NOS. K10148, K415291, K541452 AND TWO K412203	20	19
K415297	FEED DRIVING ROCK SHAFT BUSHING (2)	10	14
K415297	FEED LIFTING ROCK SHAFT BUSHING (2)	10	14
K415297	SPREADER DRIVING ROCK SHAFT BUSHING (2)	12	11
K415308	NEEDLE BAR ROCK FRAME DRIVING ECCENTRIC SPACING COLLAR WITH TWO K414529	2	16
K415308	LIFTING ECCENTRIC SPACING COLLAR WITH TWO K414529	2	16
K415342 -451	LOOPER THREAD TUBE COVER	16	30
K415357	NEEDLE THREAD TENSION RELEASER	16	19
K415368	SPREADER DRIVING CONNECTION NEEDLE BEARING	8	53
K415377	THREAD WIRE	21	1
K415389	SPREADER DRIVING ROCK SHAFT WITH K504019	12	12
K415500	LOOPER DRIVING CONNECTION BUSHING	10	34
K415500	LOOPER CARRIER BUSHING (2)	10	43
K500264 -833	LOOPER DRIVING CRANK SET SCREW	8	3
K500264 -833	FEED DRIVING ROCK FRAME SET SCREW	10	12
K500272 -833	NEEDLE BAR CRANK SET SCREW	2	6
K502986	ARM PLUG (2)	16	33
K504019	LOOPER THREAD TAKE-UP ROD SET SCREW	12	21
K504019	THREAD LUBRICATOR SCREW	18	12
K504020	LIFTING ROCK SHAFT COLLAR SET SCREW (2)	6	8
K504020	FEED LIFTING ROCK SHAFT COLLAR SET SCREW (4)	10	24
K504020	SPREADER DRIVING ROCK SHAFT COLLAR SET SCREW (4)	12	19
K504048	NEEDLE THREAD TENSION RELEASER CAP SET SCREW	16	25
K541166 -001	PRESSER BAR SPRING ARM FULCRUM SCREW NUT	6	38
K541166 -001	LIFTING ROD CONNECTION NUT (3)	14	24
K541166 -003	FOOT LIFTER LEVER ROD HINGE SCREW NUT	14	7
K541197	NEEDLE BAR ROCK FRAME DRIVING CONNECTION HINGE STUD NUT	6	26
K541197	FEED LIFTING CONNECTION HINGE STUD NUT	8	17
K541197	FEED DRIVING CONNECTION HINGE STUD NUT	8	33
K541198	LOOPER CARRIER CRANK CLAMPING STUD NUT	10	40
K541198	PRESSER BAR SPRING HOUSING NUT (2)	14	17
K541200	FEED DOG SHANK ADJUSTING SCREW LOCK NUT	10	6
K541452	LOOPER THREAD TENSION THUMB NUT	20	23
K543162	TWEEZERS	21	3
K543804 -004	FEED DOG SHANK SCREW WASHER	10	8
K543804 -004	LOOPER HOLDER SCREW WASHER	10	47
K543804 -004	FOOT LIFTER LEVER ROD HINGE SCREW WASHER	14	6
K543805 -004	FEED DOG SHANK SCREW SPRING WASHER	10	54
K543808 -002	SPREADER DRIVING ECCENTRIC PIN	8	49
K543841 -001	LIFTING ROCK SHAFT BRACKET POSITION PIN (2)	6	16
K543850 -001	NEEDLE THREAD TENSION RELEASING PLATE PIN	14	4
K543853 -003	NEEDLE THREAD TENSION BRACKET SPACING COLLAR (2)	16	20
K543853 -003	LOOPER THREAD TENSION BRACKET SPACING COLLAR (2)	20	25
K543874 -005	PRESSER BAR SPRING ARM HINGE SCREW WASHER	14	20
K543874 -005	LIFTING LEVER HINGE SCREW WASHER	14	30
K544203 -001	SPREADER DRIVING ROCK SHAFT SCREW STUD BALL ROLLER SET SCREW	8	55
K544204 -001	FEED BAR SET SCREW (2)	10	17
K544204 -001	LOOPER CARRIER SHAFT COLLAR SET SCREW (2)	10	50
K544204 -001	SPREADER DRIVING CRANK SET SCREW (2)	12	14

## NUMERICAL PARTS LIST

PART NO.	DESCRIPTION	PAGE	NO.
K544208 -005	COUNTERBALANCE SET SCREW (2)	2	39
K544208 -005	FEED LIFTING ECCENTRIC SET SCREW (2)	8	10
K544209 -003	LOOPER CARRIER SHAFT SET SCREW	10	51
K544209 -005	ARM SHAFT THRUST COLLAR SET SCREW (2)	2	53
K544209 -005	BED SHAFT THRUST COLLAR SET SCREW (2)	8	61
K544209 -005	BED SHAFT PULLEY SET SCREW (2)	8	64
K544211 -052	LOOPER THREAD GUIDE SET SCREW	20	29
K544217 -052	BED COVER SCREW (7)	20	15
K544301	LIFTING PRESSER BAR GUIDE ROD SET SCREW (UPPER)	4	45
K544301	LIFTING PRESSER BAR GUIDE ROD SET SCREW (LOWER)	4	46
K544322	LIFTING LEVER HINGE STUD SET SCREW (2)	4	9
K544325	FEED DRIVING ECCENTRIC ADJUSTING DISC SPRING COLLAR SET SCREW (2)	8	47
K544336	ARM SHAFT BALL BEARING (BACK) HOUSING SCREW (3)	2	45
K544336	FOOT LIFTER LEVER SPRING SCREW	14	10
K544336	NEEDLE THREAD TENSION BRACKET SCREW (2)	16	22
K544358	NEEDLE BAR CRANK POSITION SCREW CHECK SCREW	2	5
K544499 -072	LIFTING LEVER HINGE SCREW	14	28
K544875	ARM PLUG (2)	16	6
K545174 -452	FACE PLATE HINGE STUD SET SCREW (2)	18	3
K545205 -451	NEEDLE BAR CRANK COVER SCREW (2)	2	8
K545205 -451	PRESSER BAR SPRING HOUSING SUPPORT RETAINER SCREW (2)	14	14
K545213	FOOT LIFTER ARM SET SCREW	6	36
K545213	FEED LIFTING LINK HINGE PIN SET SCREW	10	18
K545213	FEED LIFTING LINK HINGE PIN SET SCREW	10	27
K545246 -452	ARM SIDE COVER SCREW (4)	18	10
K545249 -452	FEED REGULATING STUD SOCKET SCREW	20	11
K545297	NEEDLE BAR ROCK FRAME DRIVING CONNECTION CAP SCREW	6	27
K545297	FEED DRIVING CONNECTION CAP SCREW	8	34
K545405	PRESSER BAR SPRING ARM HINGE SCREW NUT	14	21
K545424	SPREADER DRIVING ROCK SHAFT SCREW STUD NUT	12	17
K547670	SPREADER SCREW WASHER	12	4
K548035	LIFTING ROCK SHAFT CRANK PIN	6	4
K548459	LOOPER CARRIER CRANK CLAMPING STUD WASHER	10	41
K549024	NEEDLE BAR CRANK POSITION SCREW	2	4
K549024	FEED DRIVING ROCK FRAME POSITION SCREW	10	11
K559032	FACE PLATE LOCKER	18	14
K559033	BOTTOM PLATE	20	31
K559034	BOTTOM PLATE GASKET	20	32
K559038	BED SHAFT WITH K268044, K268214, K268265 AND K414578	8	20
K559040	BED SHAFT PULLEY	8	63
K559041	LOOPER CARRIER WITH TWO K415500	10	42
K559044	LOOPER CARRIER SHAFT SUPPORTING PLATE	10	52
K559046	FEED BAR	10	16
K559049	FEED DRIVING ROCK FRAME	10	10
K559051	FEED BAR HINGE PIN WITH K202330	10	13
K559052	FEED LIFTING ROCK SHAFT	10	22
K559055	LOOPER HOLDER	10	44
K559057	VIBRATING PRESSER FOOT	4	38
K559061	FEED DOG	10	1
K559064	FEED DOG SHANK	10	4
K559065	SPREADER BAR	12	9
K559067	LIFTING ROD CONNECTION (LOWER)	14	26
K559068	LIFTING ROD	14	25
K559069	LIFTING LEVER	14	27
K559070	LIFTING LEVER HINGE SCREW COLLAR	14	29
K559071	LIFTING LEVER LATCH PLATE	14	31
K559072	LOOPER COVER	20	16
K559073	LOOPER COVER THUMB SCREW	20	18
K559074	BED COVER (LEFT)	20	17
K559075	BED COVER (BACK)	20	12
K559077	PRESSER BAR SPRING HOUSING COLLAR	14	16
K559078	LOOPER THREAD GUIDE (PIPE)	20	30
KE0007	FACE PLATE HINGE STUD	18	16
KE0008	LIFTING LEVER BUSHING (2)	4	14
KE0015	BOLT (4)	21	7
KE0016	WASHER (4)	21	8
KE0017	SPRING WASHER (4)	21	9
KE0021	FACE PLATE WITH K268033 AND TWO EACH K228661 AND K545174-452	18	1

## NUMERICAL PARTS LIST

PART NO.	DESCRIPTION	PAGE	NO.
KE0037	BED PLATE (LEFT)	20	3
KE0053	OILER	21	4
KE0068	BED COVER (FRONT)	20	14
KE0070	LIFTING PRESSER FOOT	4	47
KE0071	THROAT PLATE	20	4
KE0072	ARM SIDE COVER	18	9
KE0073	BED PLATE (RIGHT)	20	1
KE0075	FEED REGULATING STUD SOCKET	20	7
KE0099	NEEDLE BAR CRANK COVER	2	7
KE0117	BOTTLE WITH OIL (100cc)	21	5
KE0357	ARM PLUG	18	17
KN4112-01 -23	NEEDLE (62X59) SIZE 23	4	30
KN4112-01 -23	NEEDLE (62X59) SIZE 23 (5)	21	6

**KAMBARA Engineering Co., Ltd.**  
Yoshida Soko 1F, 1508-4 Shimohiraide  
Utsunomiya, Tochigi 321-0903, Japan  
TEL: 81-28-683-6636  
FAX: 81-28-683-6638  
<https://kambara-engineering.jp>  
Printed in Japan